

4

3

2

CMI MATERIAL NUMBER

D

D

C

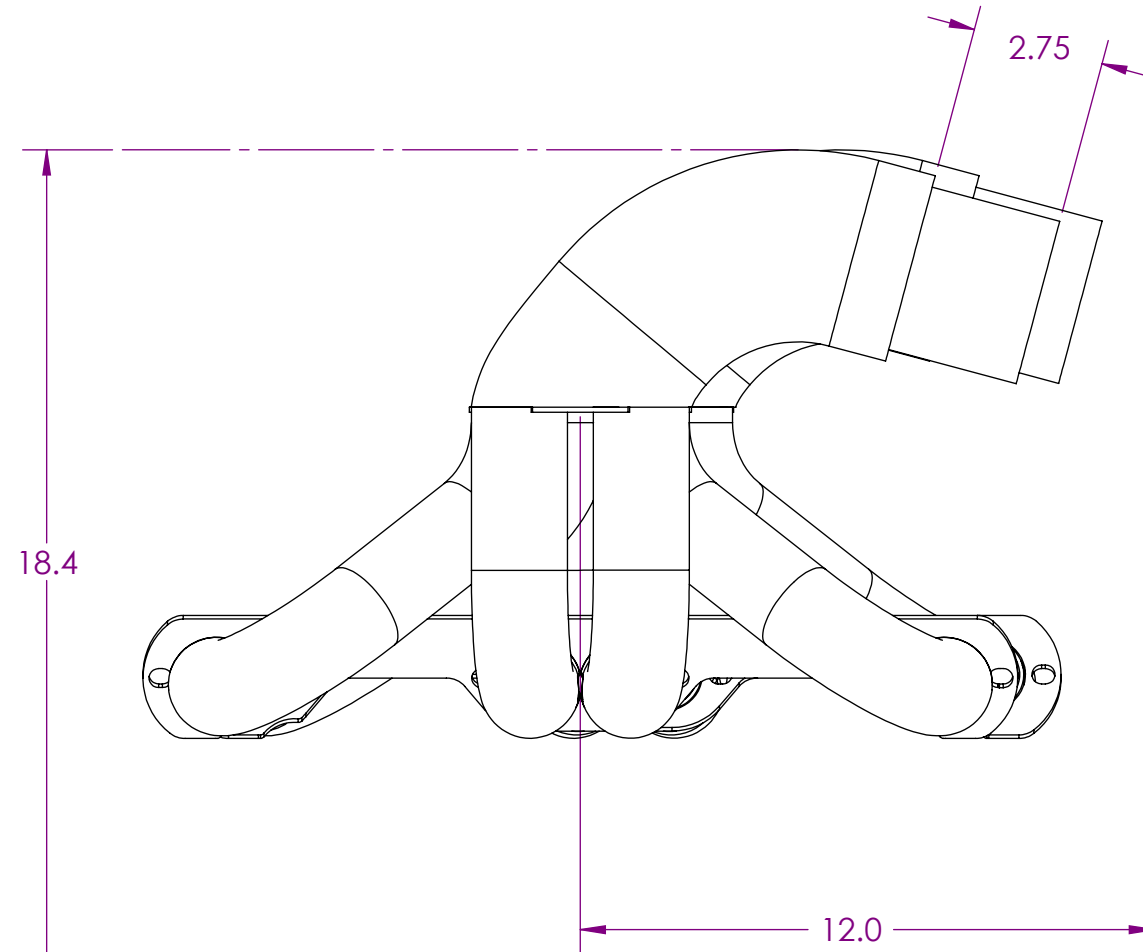
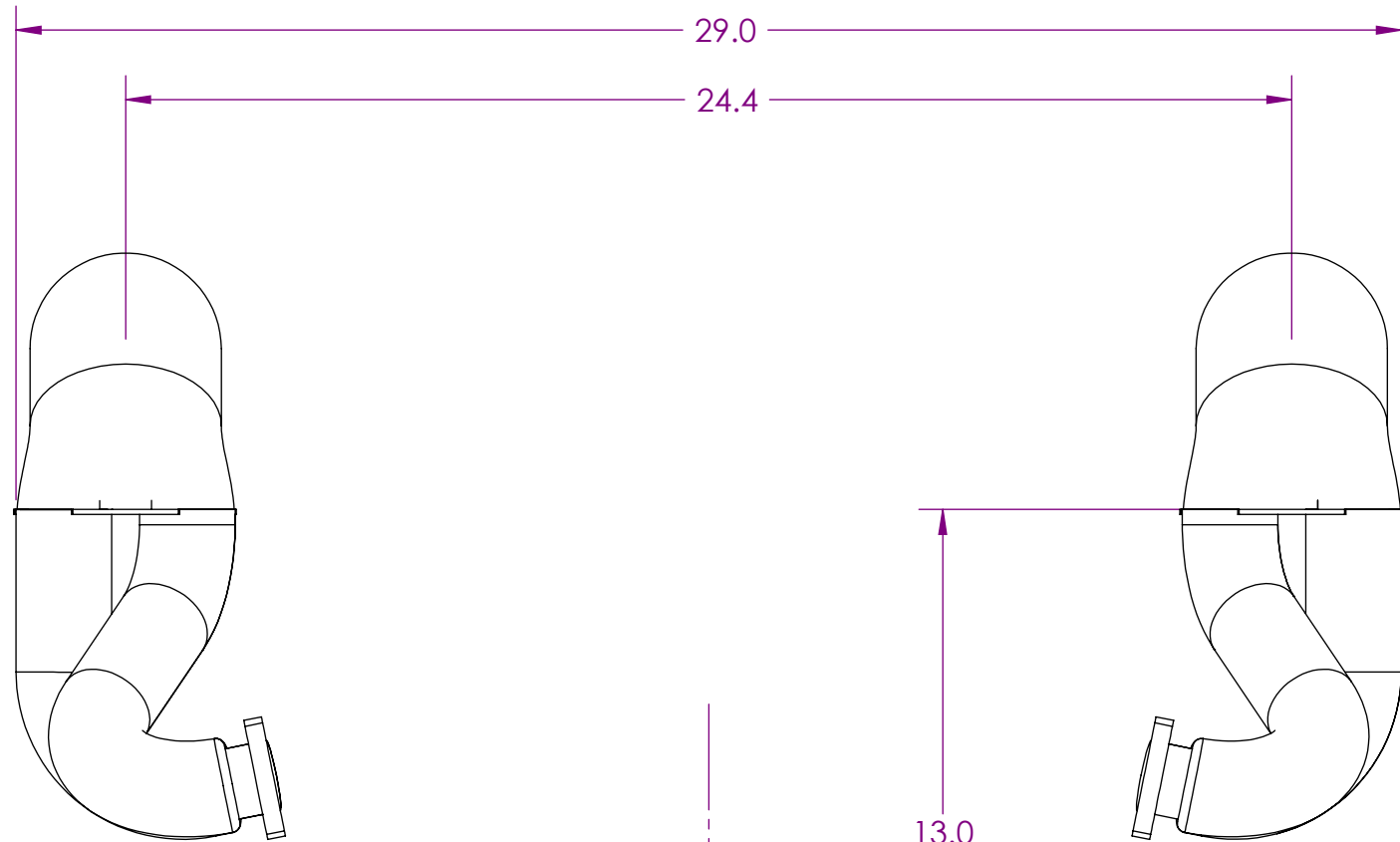
C



B

B

A

A



 <p>UNLESS OTHERWISE SPECIFIED DIMENSIONS ARE IN INCHES DIMENSIONAL TOLERANCING: 2 PLACE ±.03 3 PLACE ±.005 ANGLES ±1°</p>	DEPARTMENT		<b>CUSTOM MARINE INCORPORATED</b> NEENAH, WI			
	PREPARED		DESCR.			
	CHECKED					
	ENGINEER		SIZE	WEIGHT LBS.	DWG. NO.	REV.
<p>CUSTOM MARINE INCORPORATED RESERVES PROPRIETARY RIGHTS TO THIS DRAWING AND THE DATA SHOWN THEREON. SAID DRAWING AND/OR DATA ARE CONFIDENTIAL AND ARE NOT TO BE USED OR REPRODUCED FOR ANY PURPOSE WITHOUT THE WRITTEN CONSENT OF CUSTOM MARINE INCORPORATED.</p>			B			
DO NOT SCALE DRAWING	THIRD ANGLE PROJECTION		SCALE	1:4	MATERIAL:	SHEET 1 OF 3

REVISIONS					
ENN #	REV.	DESCRIPTION	BY	CHK'D	DATE

4

3

2

1