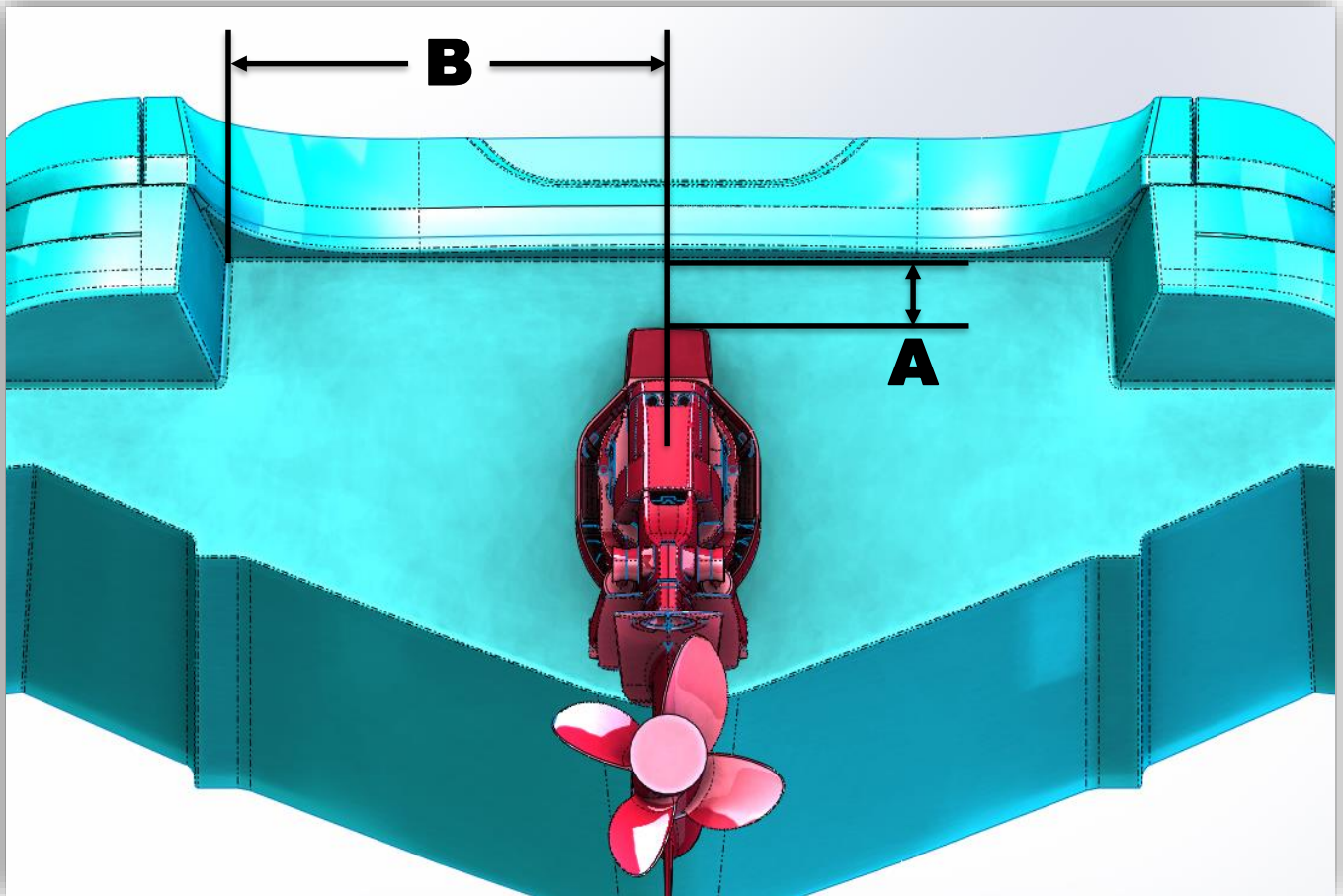
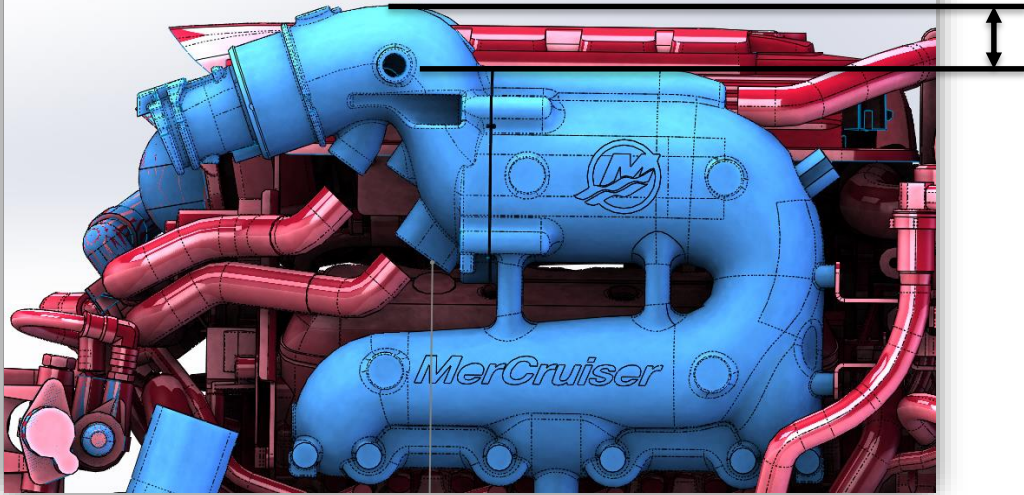


Dimensions required for all transom exit exhaust inquiries.

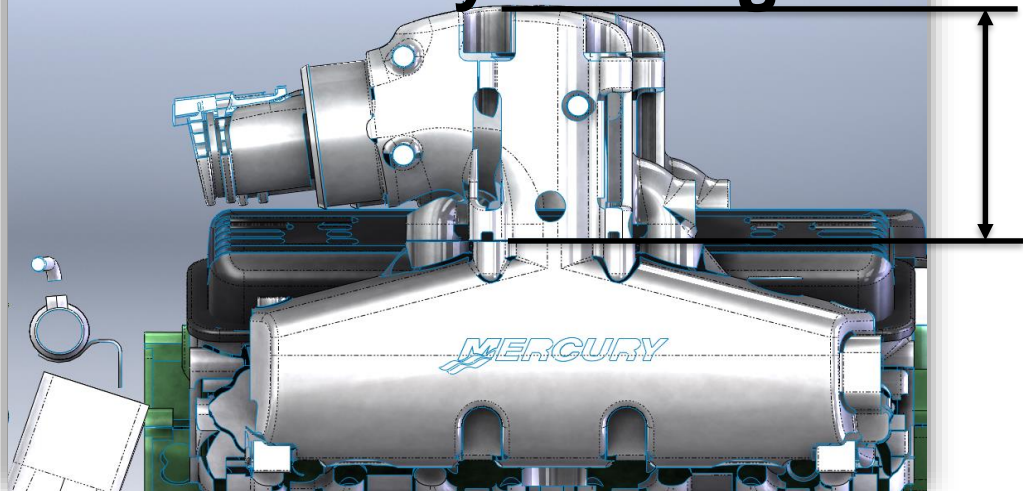


- Dimension **A**
 - Vertical dimension from top of drive to bottom of radius of swim platform.
- Dimension **B**
 - Horizontal dimension from top center of drive to swim platform projection.

Catalyzed Engine

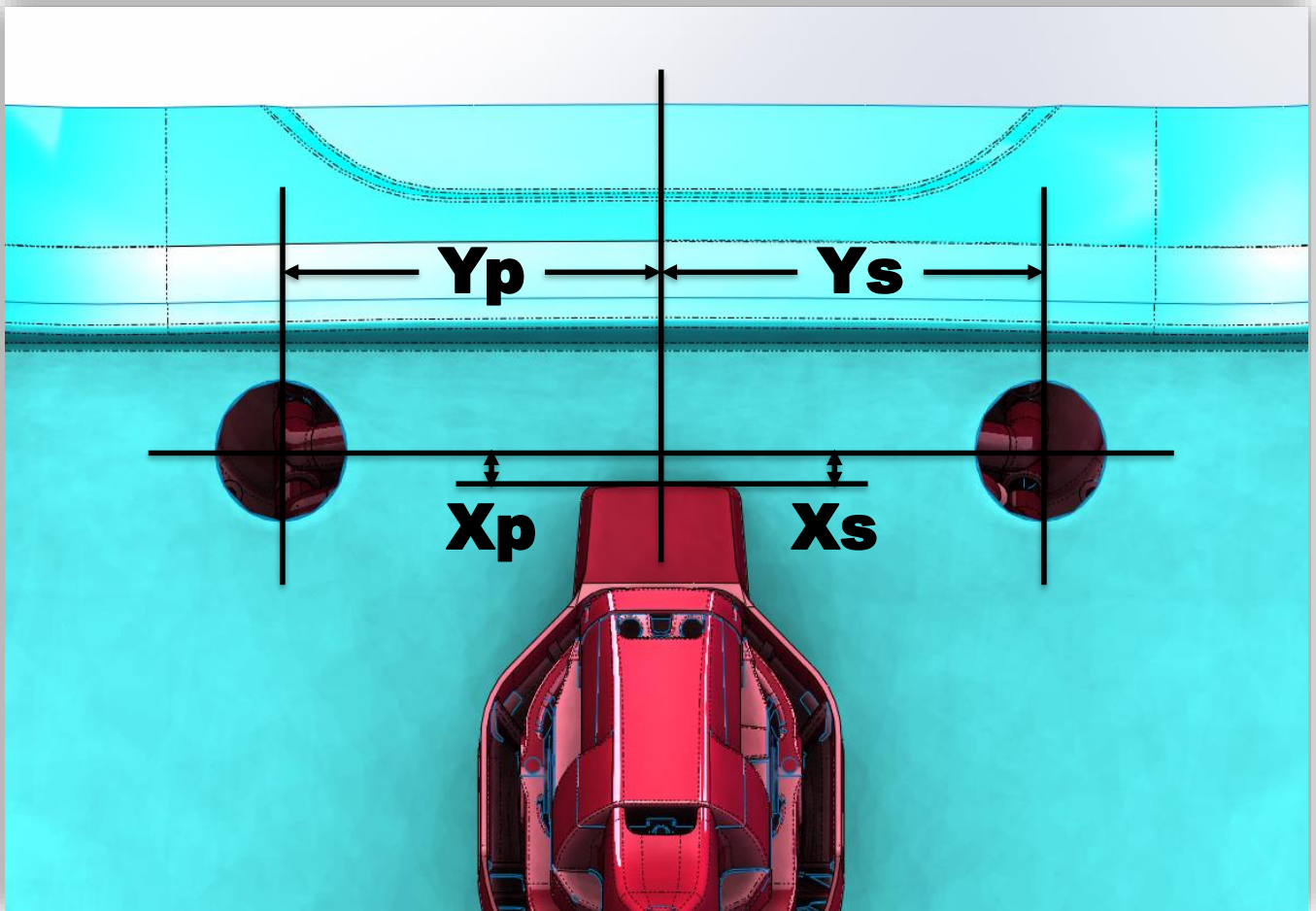


Non-catalyzed Engine



- Dimension C
 - Riser Height Vertical dimension from top of manifold to highest point of exhaust riser.

Additional dimensions required for pre-existing holes for transom exit exhaust .



- *Dimension X_p*
 - Vertical dimension from top of drive to center of Port side hole.
- *Dimension X_s*
 - Vertical dimension from top of drive to center of Starboard side hole.
- *Dimension Y_p*
 - Horizontal dimension from top center of drive to center of Port side hole.
- *Dimension Y_s*
 - Vertical dimension from top center of drive to center of Starboard side hole.

How to Measure Guide

Transom Exit Exhaust



Return this Page to Corsa Performance
Email – sales@corsamarine.com
Fax – 440-891-1868

Date _____

- **Contact Information**

- Customer Name _____
- Dealer Name _____
- Dealer Contact Name _____
- Phone Number _____
- E-mail Address _____
- Address _____
 - Country _____
 - City, State, Zip Code _____

- **Boat Information**

- Boat Make _____
- Model _____
- Year _____
- Hull Number _____
- Engine Make _____
- Engine Size _____ No. of Engines _____
- Engine Serial # _____
- Catalyst or Non-Catalyst _____
- Other _____
- Repower? _____ Original Engine _____

- **Dimensions** (*indicate inches or centimeters*)

- A _____
- B _____
- C _____
- Xp _____
- Xs _____
- Yp _____
- Ys _____

- **Additional Information** _____
