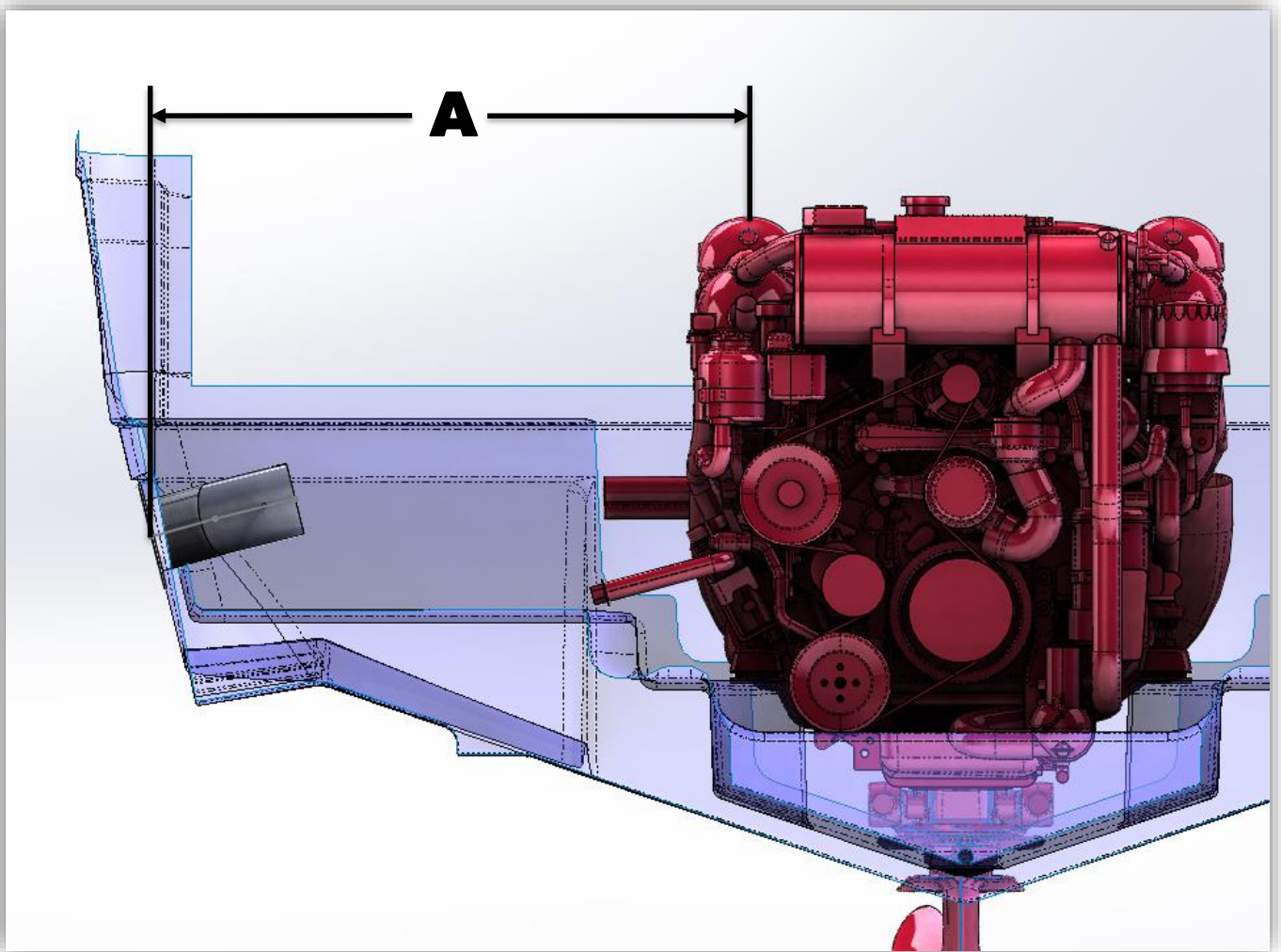


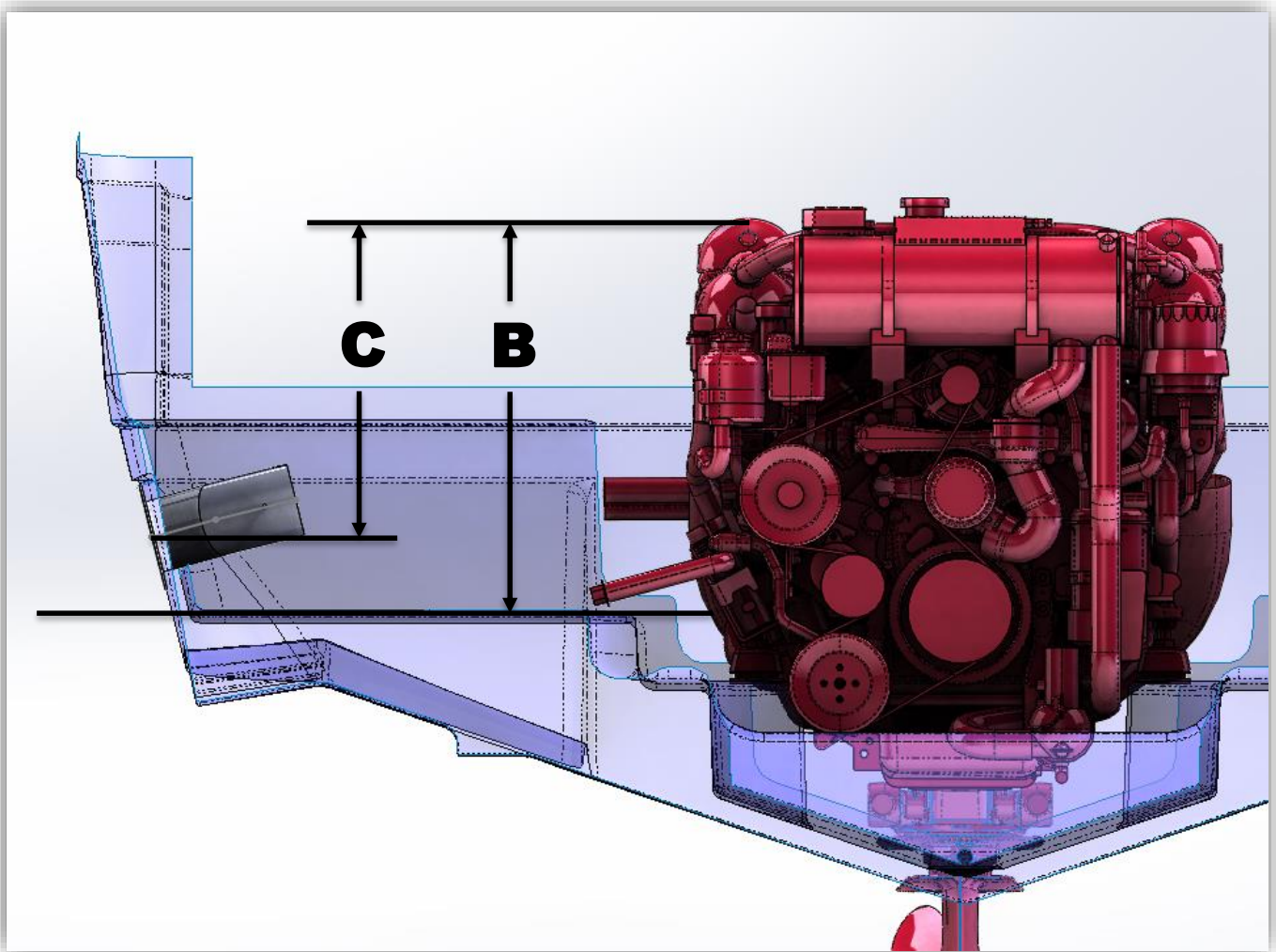
How to Measure Guide Side Exit Exhaust



- Dimension **A**
 - Linear dimension from center of exhaust riser to side of hull at preferred tip location.

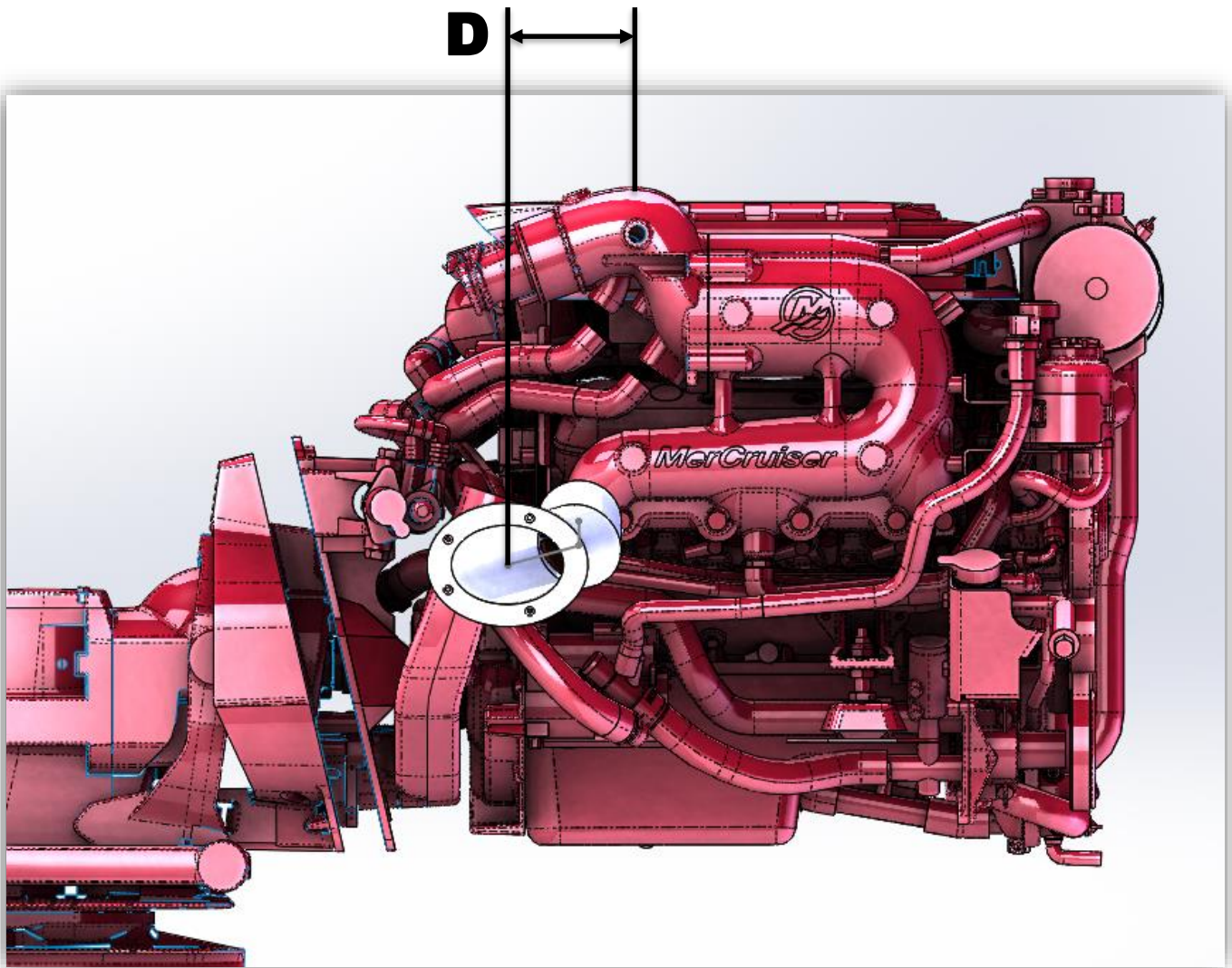
How to Measure Guide Side Exit Exhaust

CORSA[®]
PERFORMANCE MARINE



- Dimension **B**
 - Vertical dimension from highest point of exhaust riser to horizontal floor of the engine compartment.
- Dimension **C**
 - Vertical dimension from highest point of exhaust riser to center of preferred tip location.

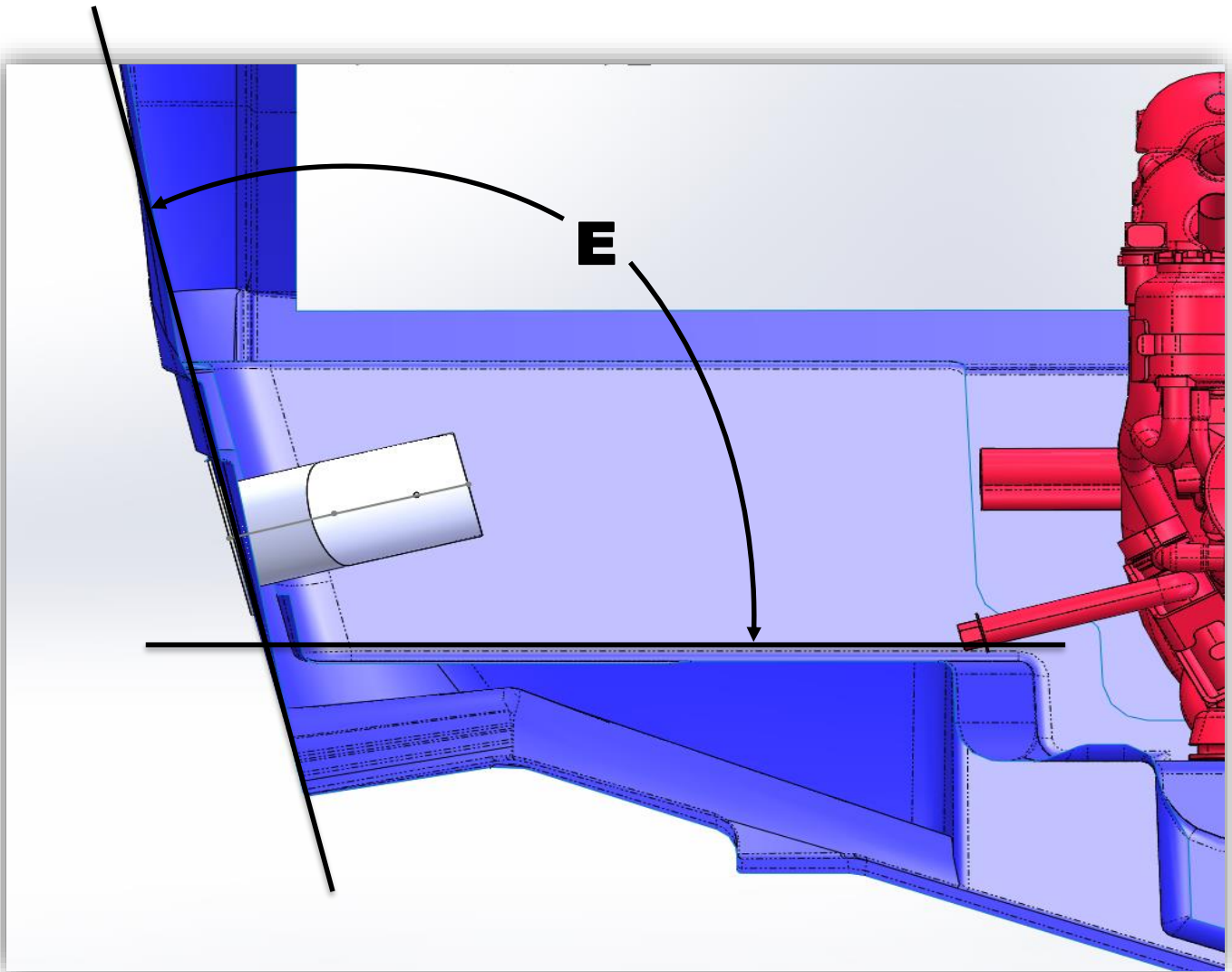
How to Measure Guide Side Exit Exhaust



➤ Dimension **D**

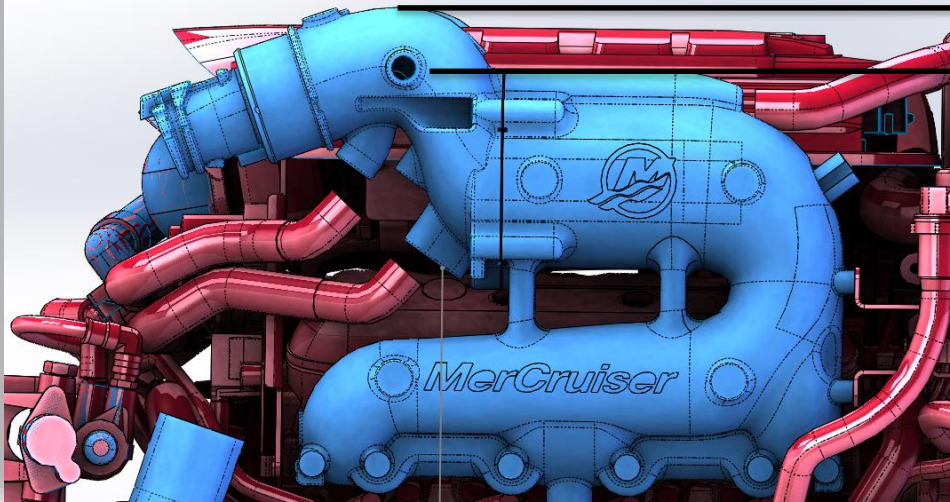
- Linear Fore/Aft dimension from highest point of exhaust riser to center of preferred tip location.
- Note if dimension is Fore or Aft of the exhaust riser high point.

How to Measure Guide Side Exit Exhaust



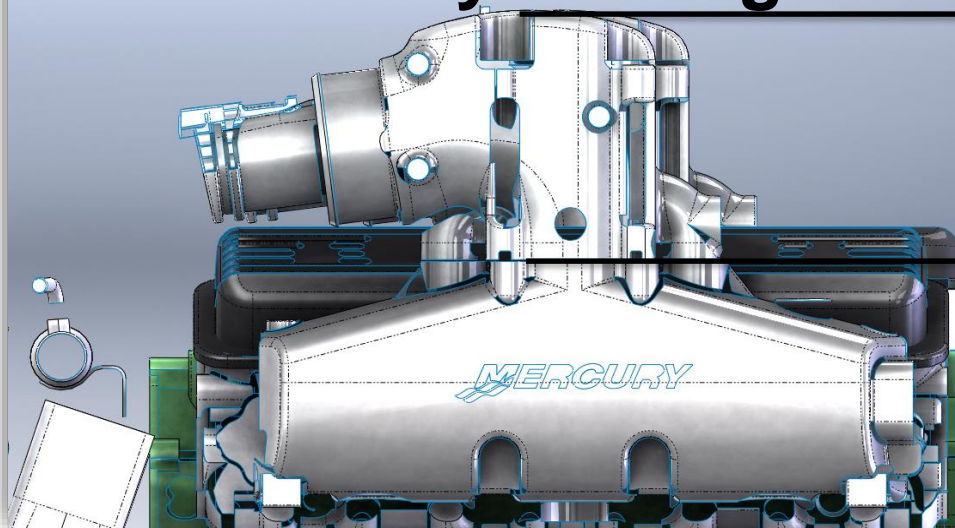
- Dimension **E**
 - Angular dimension from horizontal floor of the engine compartment to hull surface of preferred tip location.

Catalyzed Engine



F

Non-catalyzed Engine



F

- Dimension **F**
 - Riser Height Vertical dimension from top of manifold to highest point of exhaust riser.

How to Measure Guide

Side Exit Exhaust



Return this Page to Corsa Performance
Email – sales@corsamarine.com
Fax – 440-891-1868

Date _____

- **Contact Information**

- Customer Name _____
- Dealer Name _____
- Dealer Contact Name _____
- Phone Number _____
- E-mail Address _____
- Address _____
 - Country _____
 - City, State, Zip Code _____

- **Boat Information**

- Boat Make _____
- Model _____
- Year _____
- Hull Number _____
- Engine Make _____
- Engine Size _____ No. of Engines _____
- Engine Serial # _____
- Catalyst or Non-Catalyst _____
- Other _____
- Repower? _____ Original Engine _____

- **Dimensions** (*indicate inches or centimeters*)

- A _____
- B _____
- C _____
- D _____
- E _____
- F _____

- **Additional Information** _____
