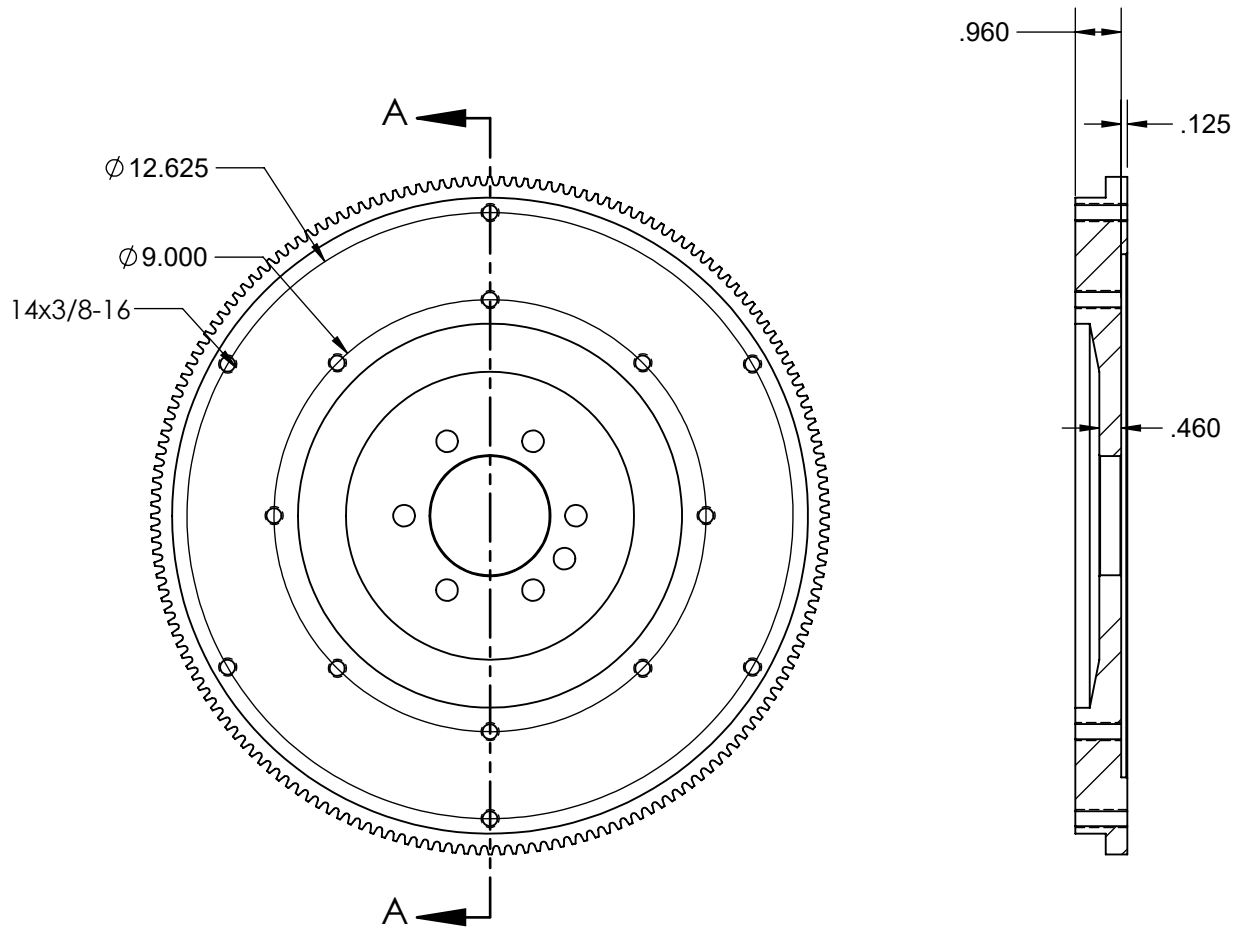


NOTE:
 1) BREAK ALL EDGES .02x45°, UNLESS NOTED.



SECTION A-A

THIS DRAWING IS CONFIDENTIAL AND IS SUPPLIED ON EXPRESS CONDITION THAT IT SHALL NOT BE LENT, COPIED OR DISCLOSED TO ANY OTHER PERSON OR USED FOR ANY OTHER PURPOSE WITHOUT WRITTEN CONSENT OF HARDIN MARINE INC.. BREACH OF THIS CONTRACT WILL HOLD AND ITS PRINCIPALS LIABLE FOR LOSS AND DAMAGES.

UNLESS OTHERWISE SPECIFIED:		HARDIN MARINE		11 Industry Dr. Palm Coast, FL 32137 386-445-2500 / FAX 386-445-1122	
DIMENSIONS ARE IN INCHES		TITLE: FLYWHEEL, BBC - INTERNAL BALANCED - BOTTOM MOUNT - STEEL			
TOLERANCES:					
FRACTIONAL ±					
ANGULAR: MACH ± 2° BEND ±					
TWO PLACE DECIMAL ± .015		SIZE	DWG. NO.	PART NO.	REV
THREE PLACE DECIMAL ± .005		A	755-8613	755-8613	
MATERIAL AISI 1020		SCALE: 1:4		DRAWN BY: J.P.STULL	DATE: 01/30/18
FINISH					