

HARDIN
MARINE

11 Industry Dr. Palm Coast, FL 32137
386-445-2500 / FAX 386-445-1122

PART NO.

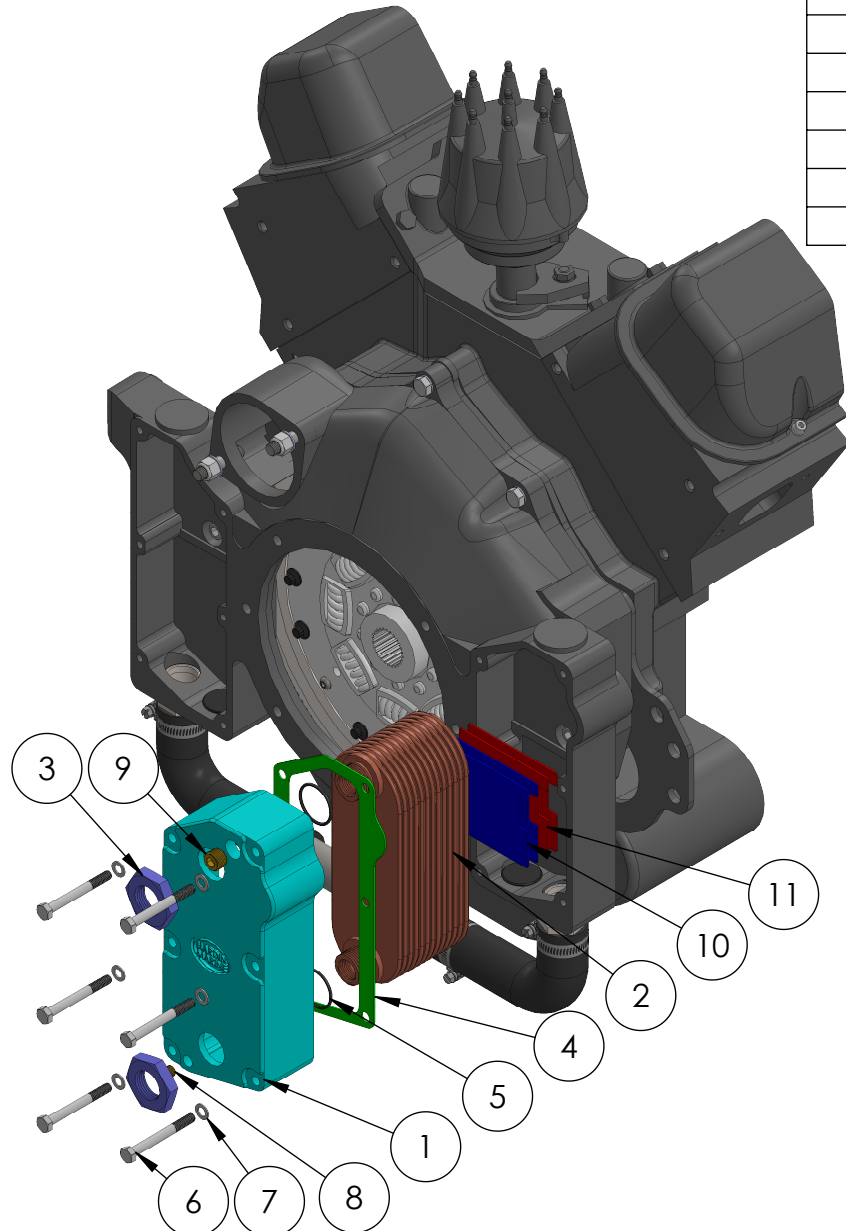
755-8022

ITEM NO.	PART NUMBER	DESCRIPTION	QTY.
1	755-8007	COVER, 13 PLATE OIL COOLER - STARBOARD	1
2	625-8012	COOLER, 13 PLATE	1
3	625-8073	NUT, JAM-OIL COOLER	2
4	625-8018	GASKET, STARBOARD	1
5	625-1124	O-RING	2
6	90031C275HHS	BOLT, 5/16-18x2.75	6
7	90031AN-STSS	WASHER, 5/16 AN	6
8	625-2021	PIPE PLUG, 1/8 NPT	1
9	625-2023	PIPE PLUG, 3/8 NPT	1
10	755-8013	SHIM, 06 BELLHOUSING CAVITY	2
11	755-8017	SHIM, 09 BELLHOUSING CAVITY	2

TITLE:

13 PLATE STARBOARD OIL COOLER KIT

www.hardin-marine.com



INSTALLATION INSTRUCTIONS:

- 1) USING THE 755-8025 INSTRUCTIONS ON THE ATTACHED SHEET TO FIGURE OUT HOW MANY SHIMS ARE NEEDED.
- 2) APPLY WHITE LITHIUM GREASE TO #5 625-1124 ORINGS. INSTALL INTO THE GROOVES ON THE INSIDE OF #1 755-8007 COOLER COVER.
- 3) INSTALL COVER OVER #2 625-8012 OIL COOLER.
- 4) APPLY ANTI-SIEZE TO THE OIL COOLER THREAD. INSTALL #3 625-8073 JAM NUTS. JUST SNUG TIGHT.
- 5) APPLY PERMATEX #3 TO BOTH SIDES OF #4 625-8018 GASKET.
- 6) INSTALL OIL COOLER ASSEMBLY INTO THE BELLHOUSING.
- 7) APPLY ANTI-SIEZE TO #6 90031C275HHS BOLTS. INSTALL #7 90031AN-STSS WASHERS. USING 1/2 SOCKET TO TORQUE BOLTS TO 20 FT. LBS..
- 8) USING 1-3/4 SOCKET, TORQUE OIL COOLER JAM NUTS TO 40 FT. LBS..
- 9) APPLY LIQUID TEFLON SEALANT TO BOTH #8 625-2021 & #9 625-2023 PIPE PLUGS.
- 10) USING 3/16 ALLEN KEY TO INSTALL 625-2021 PIPE PLUG.
- 11) USING 5/16 ALLEN KEY TO INSTALL 625-2023 PIPE PLUG.

THIS DRAWING IS CONFIDENTIAL AND IS SUPPLIED ON EXPRESS CONDITION THAT IT SHALL NOT BE LENT, COPIED OR DISCLOSED TO ANY OTHER PERSON OR USED FOR ANY OTHER PURPOSE WITHOUT WRITTEN CONSENT OF HARDIN MARINE INC.. BREACH OF THIS CONTRACT WILL HOLD AND IT'S PRINCIPALS LIABLE FOR LOSS AND DAMAGES.

HARDIN
MARINE

11 Industry Dr. Palm Coast, FL 32137
386-445-2500 / FAX 386-445-1122

PART NO.

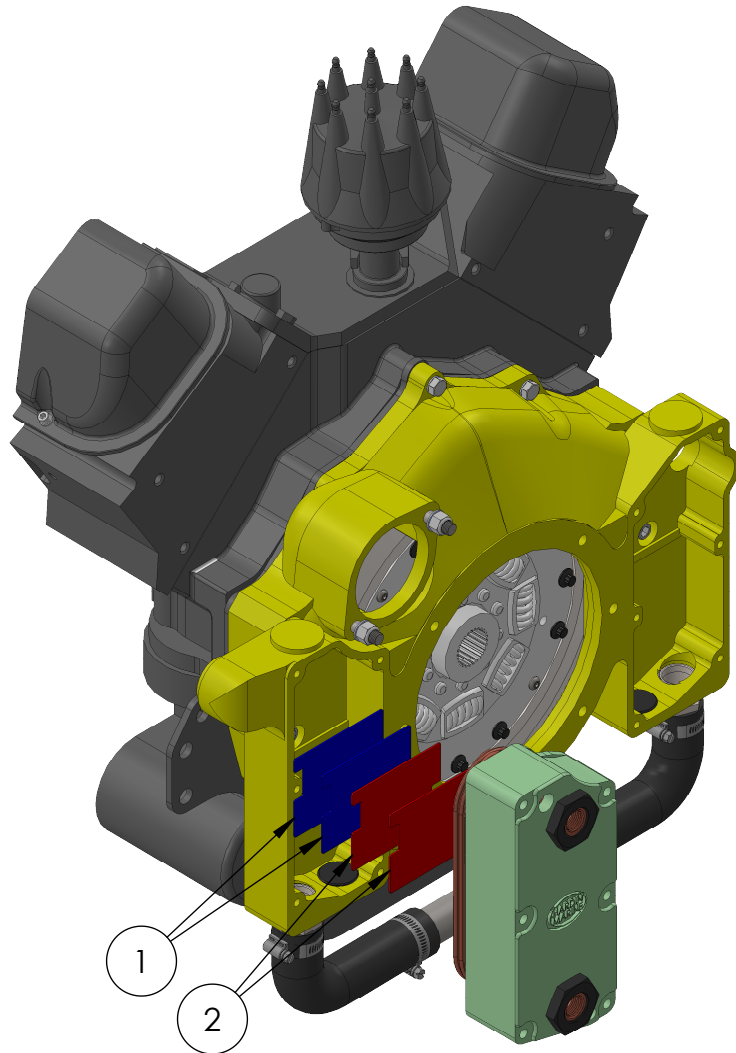
755-8025

TITLE:

PLATE OIL COOLER SHIM KIT

www.hardin-marine.com

ITEM NO.	PART NUMBER	DESCRIPTION	QTY.
1	755-8013	SHIM, 06 BELLHOUSING CAVITY	2
2	755-8017	SHIM, 09 BELLHOUSING CAVITY	2



INSTALLATION INSTRUCTIONS:

- 1) PLATE OIL COOLER HEIGHTS CAN VARY BY AS MUCH AS .250. THESE SHIMS ARE USED TO INSURE THE WATER DOES NOT BYPASS UNDER THE COOLER BECAUSE OF TOO MUCH CLEARANCE.
- 2) KIT COMES WITH 2 755-8013 .06 THICK SHIMS SHOWN IN BLUE AND 2 755-8017 .09 THICK SHIMS SHOWN IN RED.
- 3) INSTALL ALL 4 SHIMS INTO THE BELLHOUSING CAVITY.
- 4) WITHOUT THE COOLER GASKET, INSTALL COOLER AND COVER INTO THE HOUSING. IF THE COVER DOES NOT SIT AGAINST THE BELLHOUSING. REMOVE A SHIM.
- 5) KEEP REMOVING SHIMS TILL COVER TOUCHES THE BELLHOUSING. WE NEED TO HAVE .03-.05 CLEARANCE BETWEEN SHIMS AND BOTTOM OF COOLER.
- 6) NOW INSTALL GASKET AND CONTINUE WITH THE COOLER INSTALLATION.