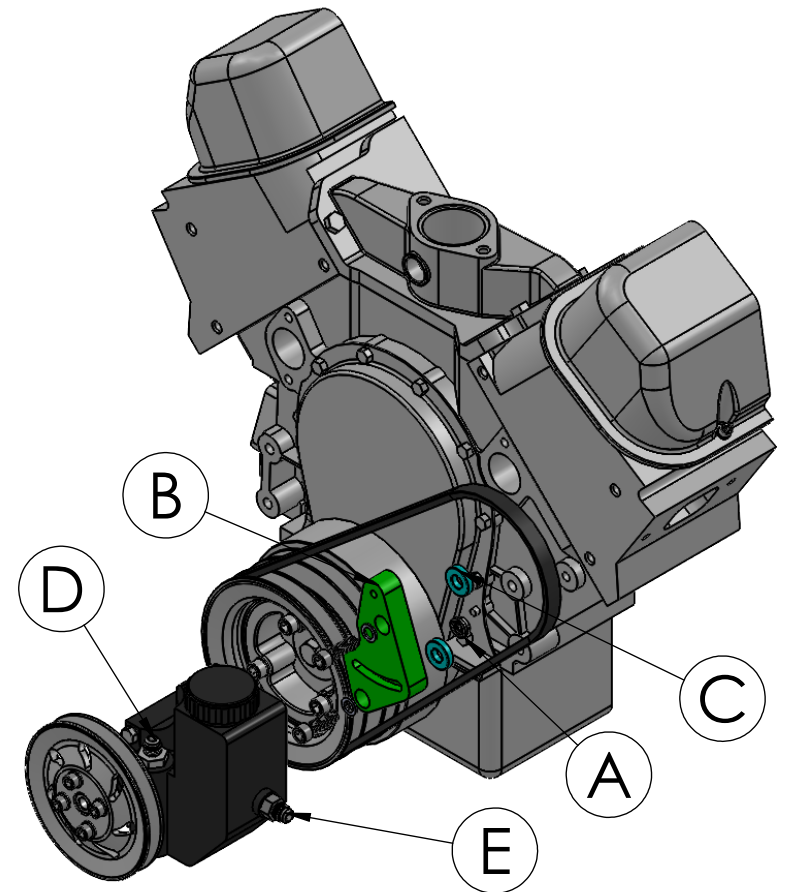
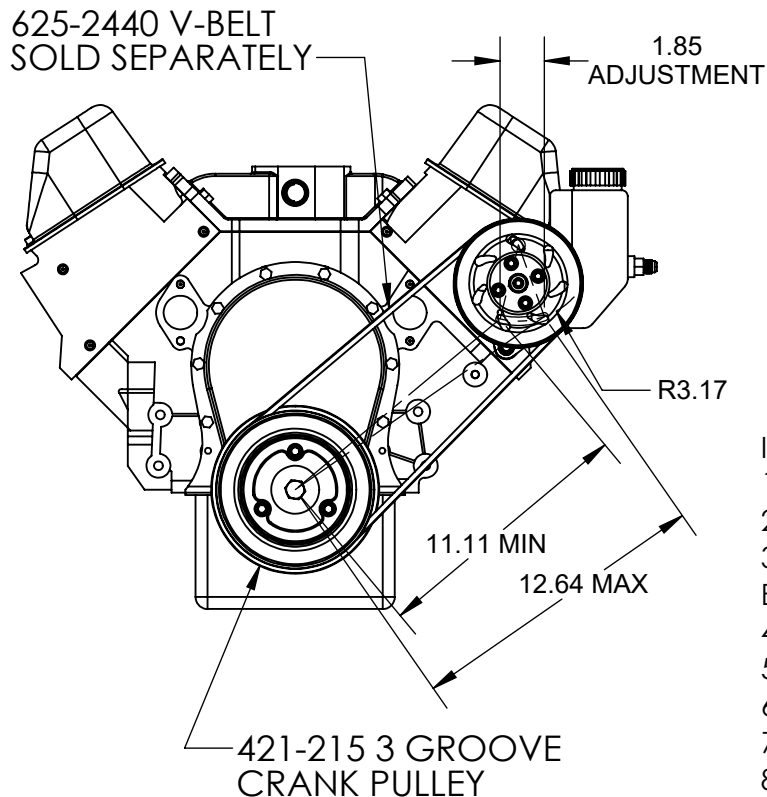


HARDIN MARINE 11 Industry Dr. Palm Coast, FL 32137
386-445-2500 / FAX 386-445-1122

PART NO.
625-8168

TITLE: BBC PORT HEAD MOUNT V-BELT
POWER STEERING KIT

www.hardin-marine.com



INSTALLATION INSTRUCTIONS:

- 1) INSTALL 5/16 NUT, FIG. A, INTO THE BACK OF THE MOUNTING BRACKET, FIG. B.
- 2) INSTALL 3/8 BOLTS WITH WASHERS INTO MOUNTING BRACKET.
- 3) INSTALL SPACERS, FIG. C, BETWEEN BRACKET AND CYLINDER HEAD. INSTALL BRACKET. USING 5/16 ALLEN SOCKET TORQUE BOLTS TO 30 FT.LBS..
- 4) USING 1/2 WRENCH INSTALL POWER STEERING PUMP TO THE BRACKET.
- 5) INSTALL V-BELT AND TIGHTEN BOLTS.
- 6) ATTACH -6 JIC HIGH PRESSURE LINE OUTLET TO FIG. D.
- 7) ATTACH -6 JIC LOW PRESSURE LINE FROM COOLER TO FIG. E.
- 8) IF USING WITH EXTERNAL POWER STEERING RESERVOIR, PURCHASE 625-8171 DUMP CAP TO CONNECT TO RESERVOIR. CAP OFF THE LOWER PRESSURE RETURN. COME OUT OF THE OIL COOLER AND RETURN THE RESERVOIR.
- 9) USE GM POWER STEERING FLUID.

THIS DRAWING IS CONFIDENTIAL AND IS SUPPLIED ON EXPRESS CONDITION THAT IT SHALL NOT BE LENT, COPIED OR DISCLOSED TO ANY OTHER PERSON OR USED FOR ANY OTHER PURPOSE WITHOUT WRITTEN CONSENT OF HARDIN MARINE INC.. BREACH OF THIS CONTRACT WILL HOLD AND IT'S PRINCIPALS LIABLE FOR LOSS AND DAMAGES.