

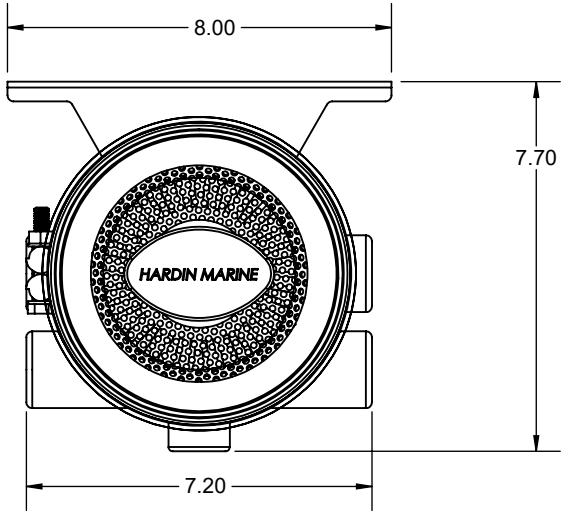
HARDIN 11 Industry Dr. Palm Coast, FL 32137
 MARINE 386-445-2500 / FAX 386-445-1122

PART NO.
 620-913201

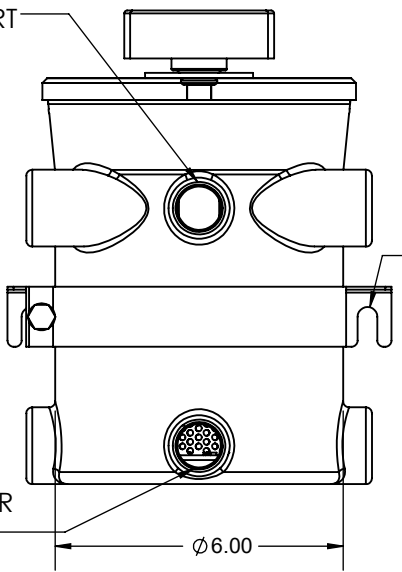
TITLE:
 8" SINGLE BASKET & 1" NPT SWIRL AWAY SEA STRAINER

www.hardin-marine.com

ITEM NO.	PART NUMBER	DESCRIPTION	QTY.
1	620-913214	SWIRL AWAY SEA STRAINER LID ASSEMBLY	1
2	620-913240	BRACKET, SEA STRAINER	1
3	620-913265	BASKET,SINGLE - 620-913201 8"	1



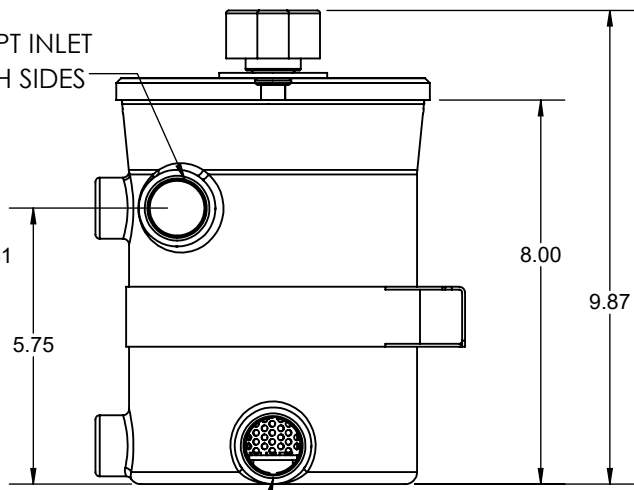
3/4" NPT PRESSURE
 RELIEF PORT



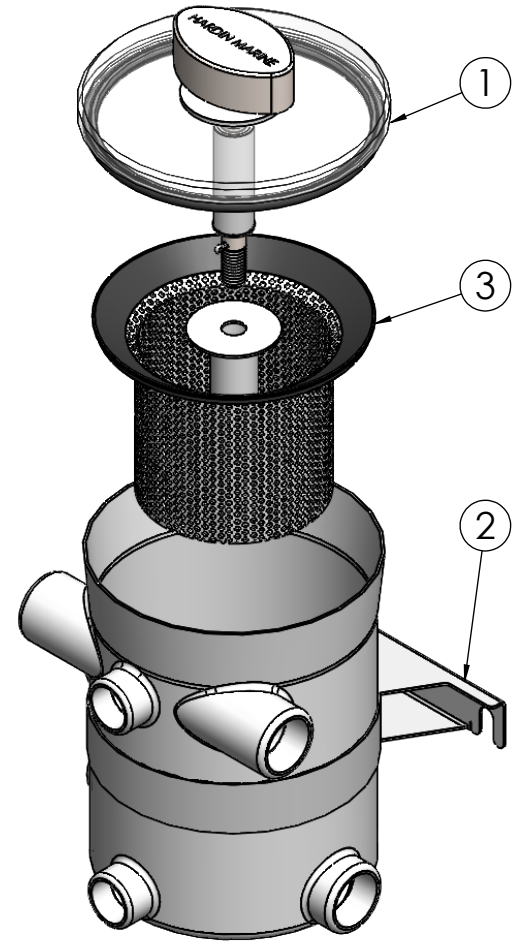
3/4" NPT WATER
 FLUSH PORT

Ø6.00

1" NPT INLET
 BOTH SIDES



1" NPT OUTLET
 BOTH SIDES



THIS DRAWING IS CONFIDENTIAL AND IS SUPPLIED ON EXPRESS CONDITION THAT IT SHALL NOT BE LENT, COPIED OR DISCLOSED TO ANY OTHER PERSON OR USED FOR ANY OTHER PURPOSE WITHOUT WRITTEN CONSENT OF HARDIN MARINE INC.. BREACH OF THIS CONTRACT WILL HOLD AND IT'S PRINCIPALS LIABLE FOR LOSS AND DAMAGES.