

HARDIN MARINE 11 Industry Dr. Palm Coast, FL 32137
386-445-2500 / FAX 386-445-1122

PART NO.
620-38125

TITLE:
SEAWARD SUPPLEMENTAL ANTI CORROSION KIT

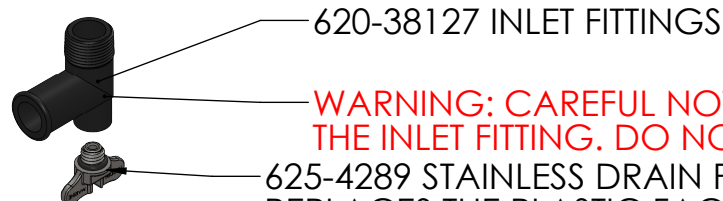
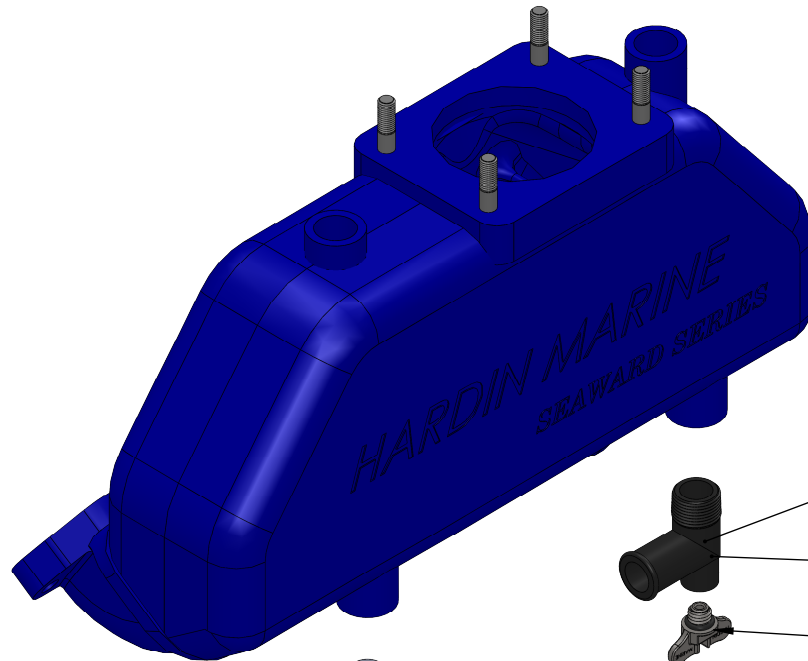
www.hardin-marine.com

THIS KIT ADDS NON CORROSIVE INLETS WITH EASY TO USE DRAIN PLUGS ALLOWING EXHAUST SYSTEMS TO BE EASILY SERVICES BY NOT LEAVING THE CORROSIVE WATER INSIDE THEM AS WELL AS ADDING SACRIFICIAL ANODE PROTECTION WE CAN PROVIDE EVEN LONGER LIFE SPAN TO YOUR BOATS EXHAUST SYSTEMS.

KITS COMES WITH 2 OF EACH PARTS SHOWN.

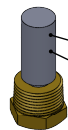
FITS BOTH SBC & BBC SEAWARD EXHAUST MANIFOLDS.

FITTINGS AND ANODES COMES WITH SEALANT ON THE THREADS.



WARNING: CAREFUL NOT TO CROSS THREAD THE INLET FITTING. DO NOT OVER TIGHTEN.

625-4289 STAINLESS DRAIN PLUG. THIS SAME DRAIN PLUG REPLACES THE PLASTIC FACTORY DRAIN PLUG. AVAILABLE SEPERATELY IN 5 PACK KITS 625-4299.



620-38126 ANODE

*******WARNING*******

ANODES ARE A SERVICEABLE PART AND SHOULD BE INSPECTED ROUTINELY DEPENDING ON THE NATURE OF THE BOATING ENVIRONMENT.