

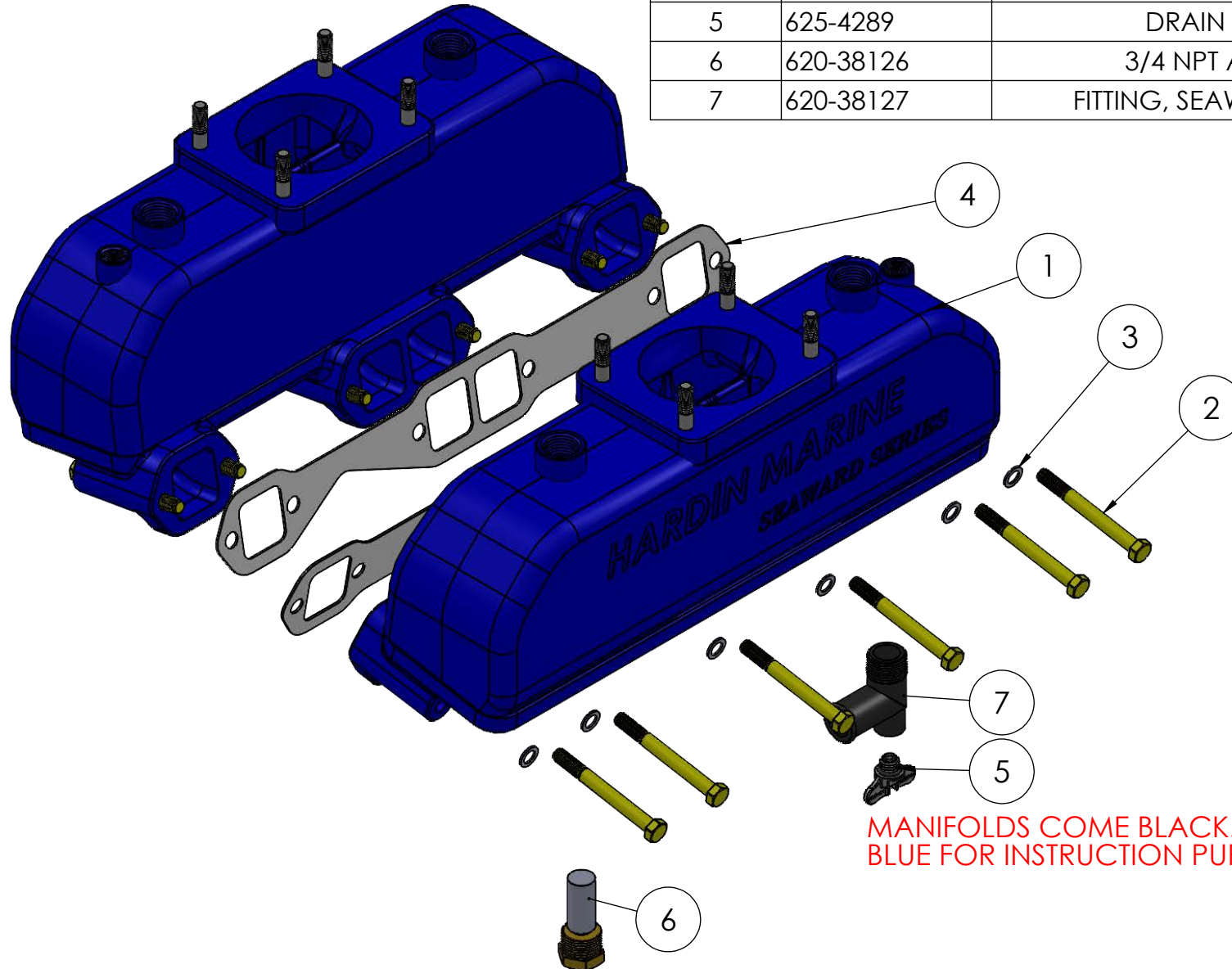
HARDIN MARINE 11 Industry Dr. Palm Coast, FL 32137
386-445-2500 / FAX 386-445-1122

PART NO.
620-38025
620-38101

ITEM NO.	PART NUMBER	DESCRIPTION	QTY.
1	620-38025	SEAWARD SBC MANIFOLD	2
2	90037C350HH5	BOLT, 3/8-16	12
3	90037AN-STSS	WASHER, 3/8 AN	12
4	300-1404	SBC EXHAUST GASKET	2
5	625-4289	DRAIN PLUG	2
6	620-38126	3/4 NPT ANODE	2
7	620-38127	FITTING, SEAWARD INLET	2

TITLE:
SEAWARD SBC MANIFOLD -620-38025 & 620-38101

www.hardin-marine.com



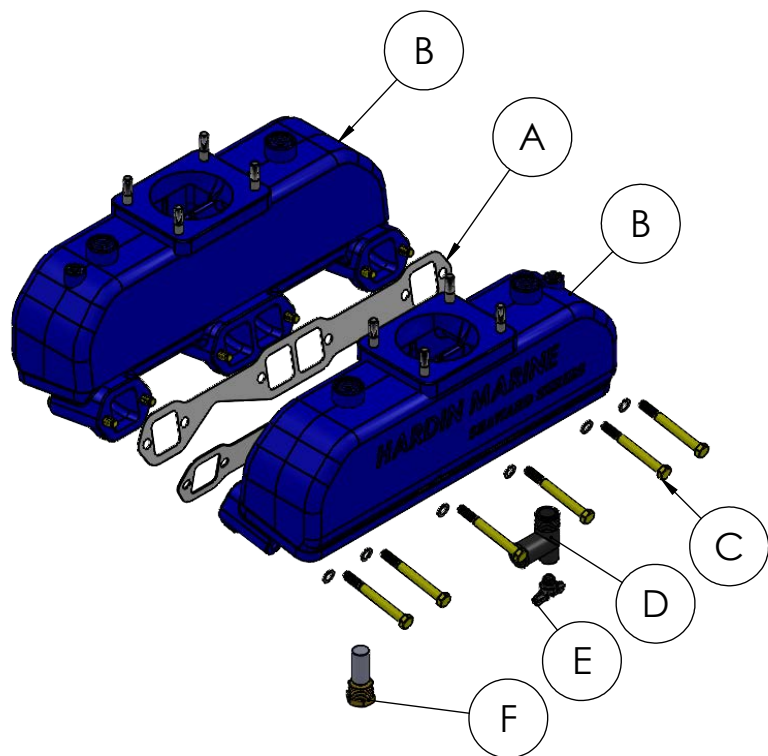
MANIFOLDS COME BLACK. SHOWN IN BLUE FOR INSTRUCTION PURPOSES.

HARDIN MARINE 11 Industry Dr. Palm Coast, FL 32137
386-445-2500 / FAX 386-445-1122

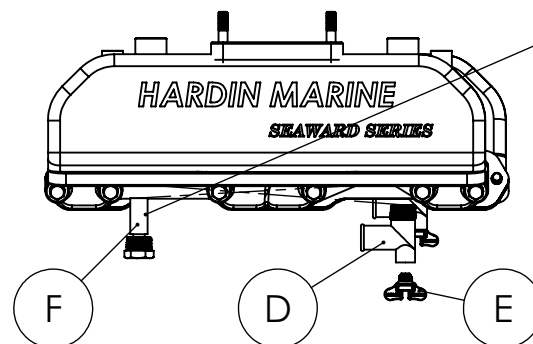
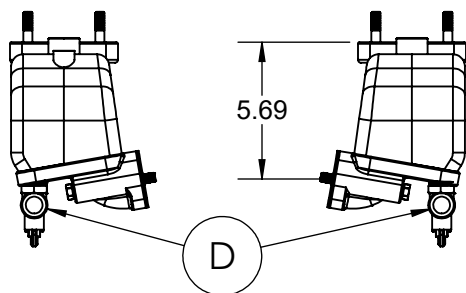
PART NO.
620-38025
620-38101

TITLE: SEAWARD SBC MANIFOLD INSTALL
- 620-38025 & 620-38101

www.hardin-marine.com



MANIFOLDS COME BLACK. SHOWN IN BLUE FOR INSTRUCTION PURPOSES.



WARNING** ANODES ARE A SERVICEABLE PART AND SHOULD BE INSPECTED ROUTINELY DEPENDING ON THE NATURE OF THE BOATING ENVIRONMENT.

INSTALLATION INSTRUCTIONS:

- 1) MAKE SURE CYLINDER HEAD EXHAUST MOUNTING SURFACE IS FREE OF KNICKS AND ANY OLD GASKET MATERIAL IS REMOVED. SEALANT IS NOT REQUIRED ON THE NEW SUPPLIED GASKETS. FIG. A.
- 2) THE PORT AND STARBOARD MANIFOLDS ARE THE SAME PART AND CAN BE USED ON EITHER SIDE OF THE ENGINE. FIG. B.
- 3) INSTALL MANIFOLDS WITH THE SUPPLIED 3/8 BOLTS AND WASHERS. APPLY ANTI-SIEZE TO 3/8 MOUNTING BOLTS, FIG.C . USING A 9/16 SOCKET, TORQUE TO 30 FT. LBS..
- 4) SIDE VIEW BELOW AND ISOMETRIC VIEW TO THE LEFT SHOWS PORT SIDE TYPICAL WATER INLET POSITION. INSTALL 1" HOSE BARB FITTING INTO BOTTOM, REAR PORT OF THE MANIFOLD, FIG. D. NO ADDITIONAL SEALANT IS NEEDED. CAREFULL NOT TO CROSS THREAD THE FITTING. DO NOT OVER TIGHTEN. DO NOT USE THIS FITTING FOR 2005 + MERCURY ENGINES WITH SINGLE AND 3 POINT DRAIN SYSTEMS.
- 5) USING 1-1/16 SOCKET, INSTALL DRAIN PLUG, FIG. E, INTO THE BOTTOM OF THE WATER INLET BUNG.
- 6) INSTALL 3/4 ANODE PLUG, FIG. F, INTO THE OPPOSITE WATER INLET BUNG. NO ADDITIONAL SEALANT IS NEEDED.
- 7) ATTACH 1" WATER INLET HOSE FROM THERMOSTAT HOUSING TO FIG. E FITTINGS (MAKE SURE IT IS A CONSTANT FLOW WATER SUPPLY).
- 8) GO TO 620-38046 TAILPIPE INSTRUCTIONS TO COMPLETE INSTALLATION.

CAUTION** HARDIN MARINE MANIFOLD SYSTEMS ARE DESIGNED FOR USE ON ENGINES WITH FULL TIME CONSTANT WATER CIRCULATION AT ALL TIMES. NOTE** AFTER APPROXIMATELY 2-5 HOURS USE OR NUMEROUS ENGINE HEAT CYCLES ALL HARDWARE MUST BE RETORQUED AND OR TIGHTENED.

HARDIN MARINE 11 Industry Dr. Palm Coast, FL 32137
386-445-2500 / FAX 386-445-1122

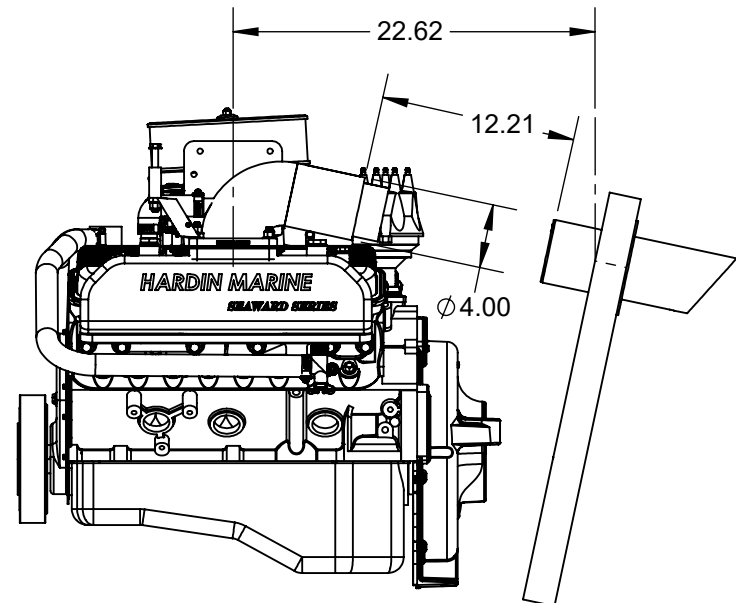
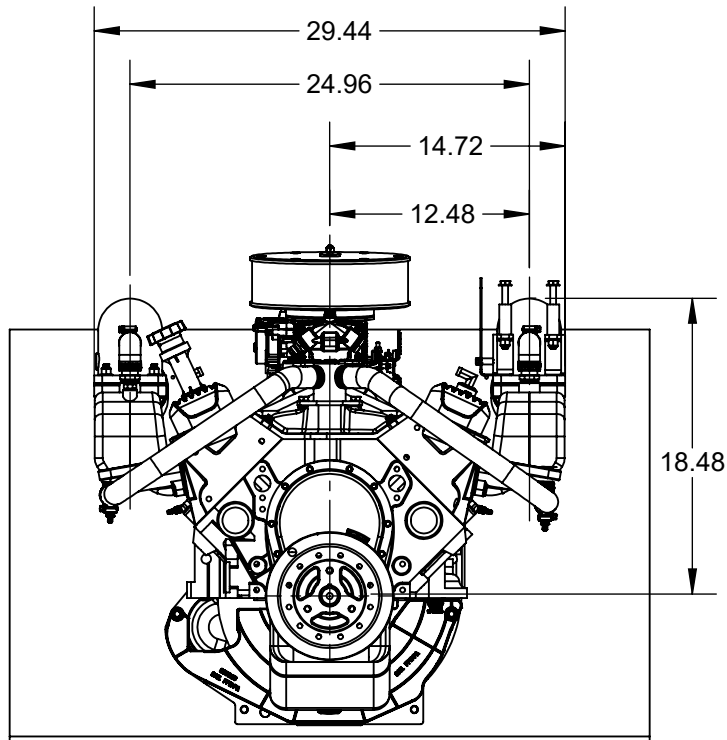
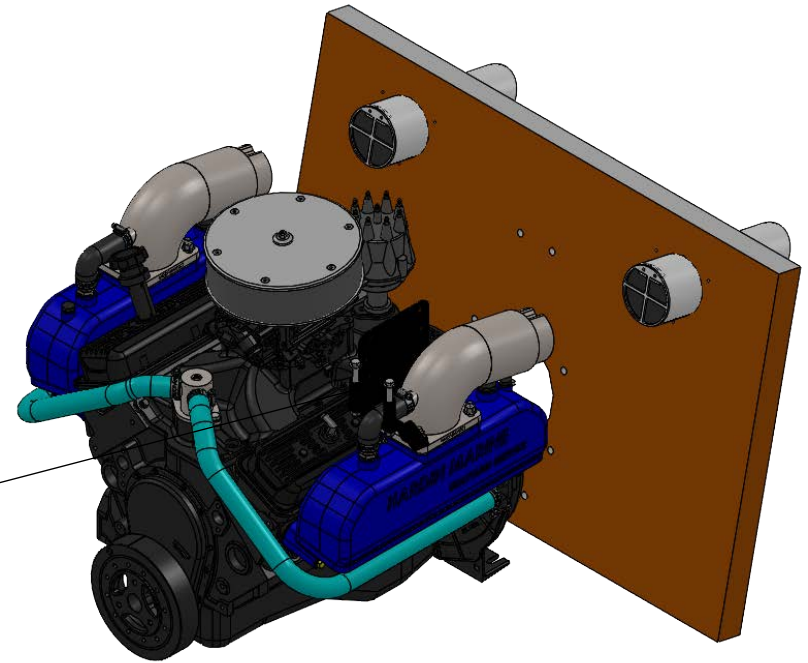
PART NO.
620-38045
620-38045Z

TITLE:

SEAWARD SBC DIMENSIONS

www.hardin-marine.com

SHOWN WITH OPTIONAL
620-38050 OIL FILTER BRACKET
& 620-38051 SHIFT BRACKET.



THIS DRAWING IS CONFIDENTIAL AND IS SUPPLIED ON EXPRESS CONDITION THAT IT SHALL NOT BE LENT, COPIED OR DISCLOSED TO ANY OTHER PERSON OR USED FOR ANY OTHER PURPOSE WITHOUT WRITTEN CONSENT OF HARDIN MARINE INC.. BREACH OF THIS CONTRACT WILL HOLD AND IT'S PRINCIPALS LIABLE FOR LOSS AND DAMAGES.

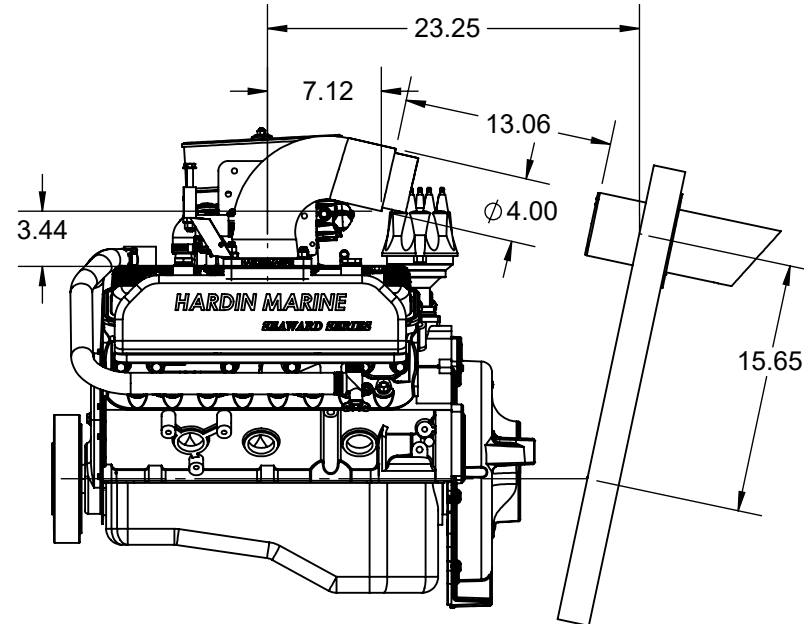
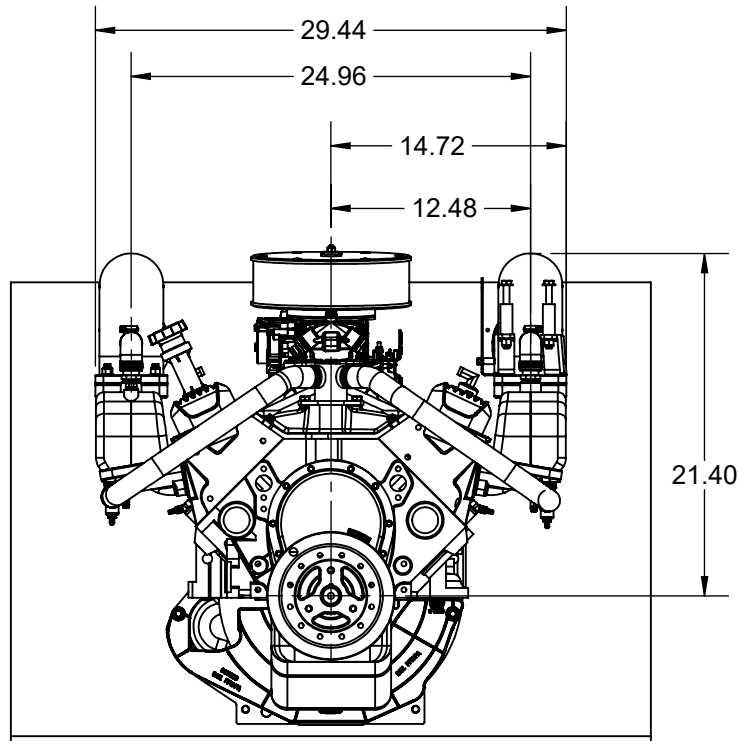
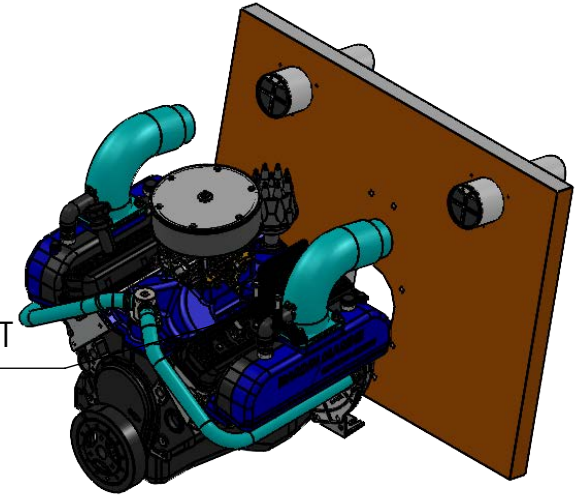
HARDIN MARINE 11 Industry Dr. Palm Coast, FL 32137
386-445-2500 / FAX 386-445-1122

PART NO.
620-38044
620-38044Z

TITLE:
SEAWARD SBC w/ 3' TALLER STD. RISER

www.hardin-marine.com

SHOWN WITH OPTIONAL
620-38050 OIL FILTER BRACKET
& 620-38051 SHIFT BRACKET.



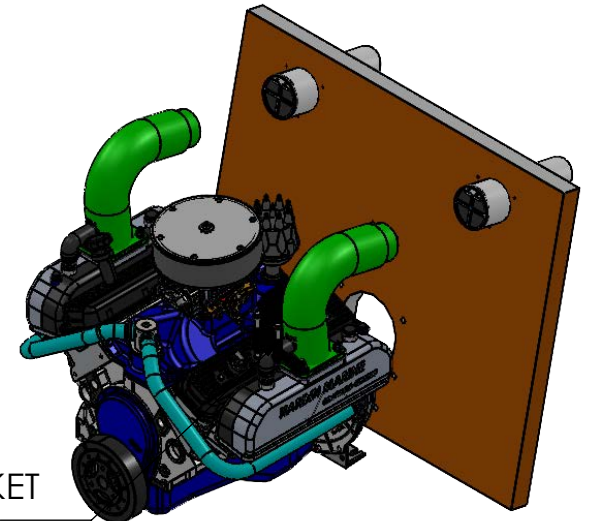
THIS DRAWING IS CONFIDENTIAL AND IS SUPPLIED ON EXPRESS CONDITION THAT IT SHALL NOT BE LENT, COPIED OR DISCLOSED TO ANY OTHER PERSON OR USED FOR ANY OTHER PURPOSE WITHOUT WRITTEN CONSENT OF HARDIN MARINE INC.. BREACH OF THIS CONTRACT WILL HOLD AND IT'S PRINCIPALS LIABLE FOR LOSS AND DAMAGES.

HARDIN MARINE 11 Industry Dr. Palm Coast, FL 32137
386-445-2500 / FAX 386-445-1122

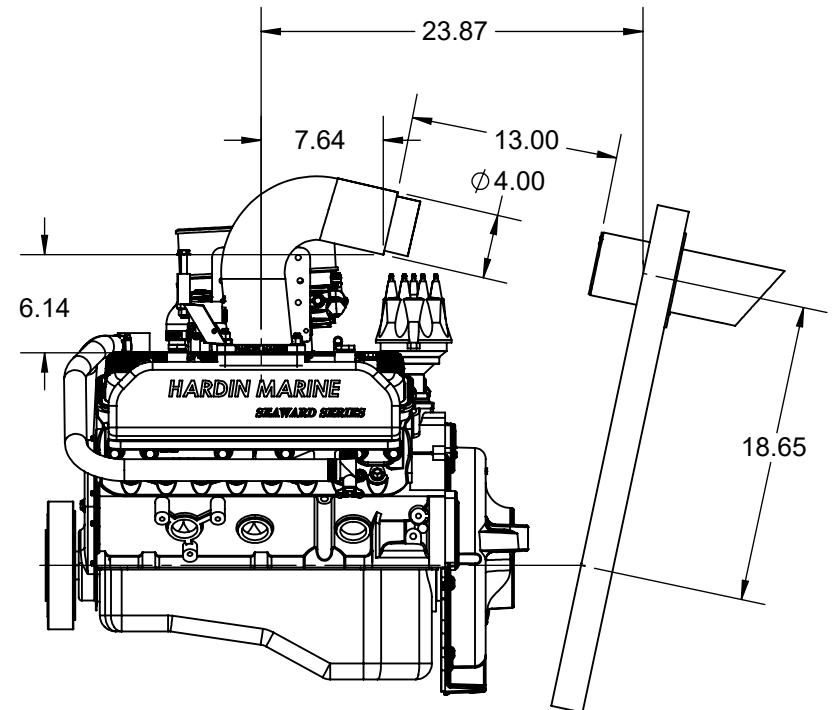
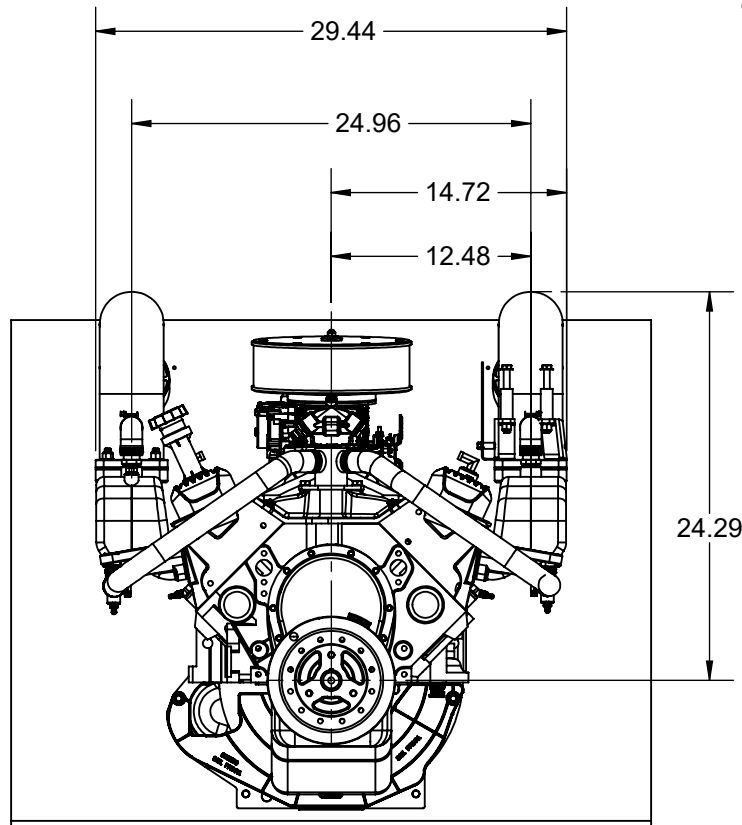
PART NO.
620-38109
620-38109Z

TITLE:
SEAWARD SBC w/ 6" TALLER STD. RISER

www.hardin-marine.com



SHOWN WITH OPTIONAL
620-38050 OIL FILTER BRACKET
& 620-38051 SHIFT BRACKET.



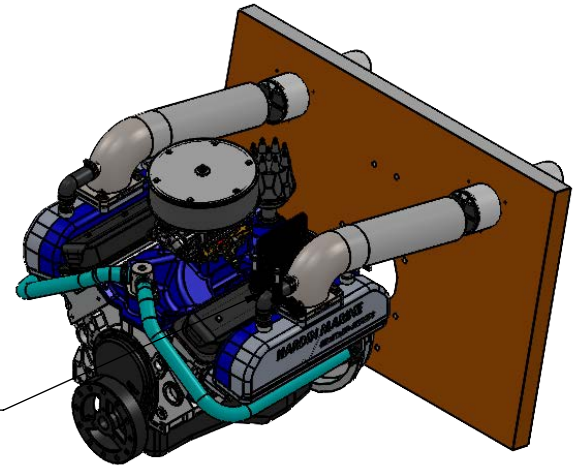
THIS DRAWING IS CONFIDENTIAL AND IS SUPPLIED ON EXPRESS CONDITION THAT IT SHALL NOT BE LENT, COPIED OR DISCLOSED TO ANY OTHER PERSON OR USED FOR ANY OTHER PURPOSE WITHOUT WRITTEN CONSENT OF HARDIN MARINE INC.. BREACH OF THIS CONTRACT WILL HOLD AND IT'S PRINCIPALS LIABLE FOR LOSS AND DAMAGES.

HARDIN MARINE 11 Industry Dr. Palm Coast, FL 32137
386-445-2500 / FAX 386-445-1122

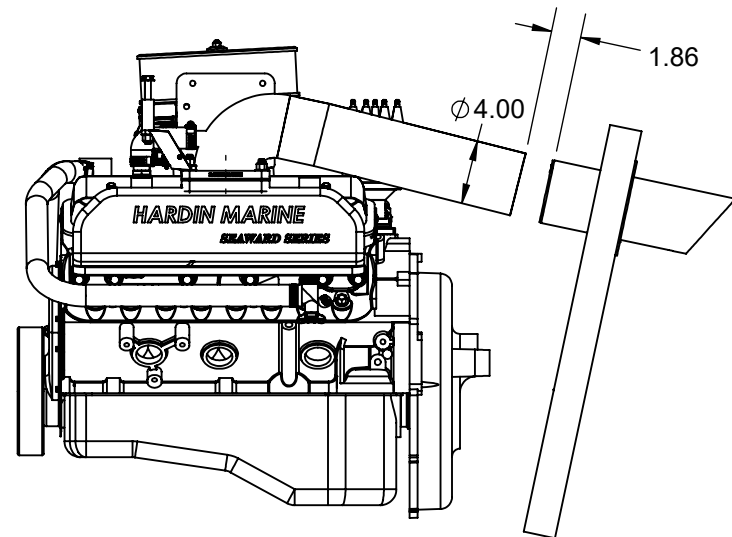
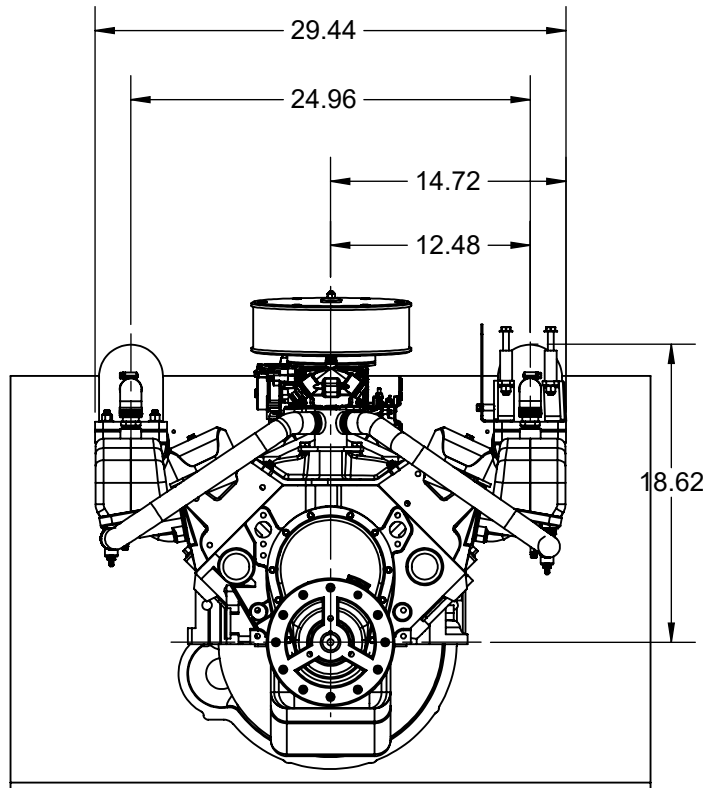
PART NO.
620-38048
620-38048Z

TITLE:
SEAWARD SBC w/ XL RISER

www.hardin-marine.com



SHOWN WITH OPTIONAL
620-38050 OIL FILTER BRACKET
& 620-38051 SHIFT BRACKET.



THIS DRAWING IS CONFIDENTIAL AND IS SUPPLIED ON EXPRESS CONDITION THAT IT SHALL NOT BE LENT, COPIED OR DISCLOSED TO ANY OTHER PERSON OR USED FOR ANY OTHER PURPOSE WITHOUT WRITTEN CONSENT OF HARDIN MARINE INC.. BREACH OF THIS CONTRACT WILL HOLD AND IT'S PRINCIPALS LIABLE FOR LOSS AND DAMAGES.

HARDIN MARINE 11 Industry Dr. Palm Coast, FL 32137
386-445-2500 / FAX 386-445-1122

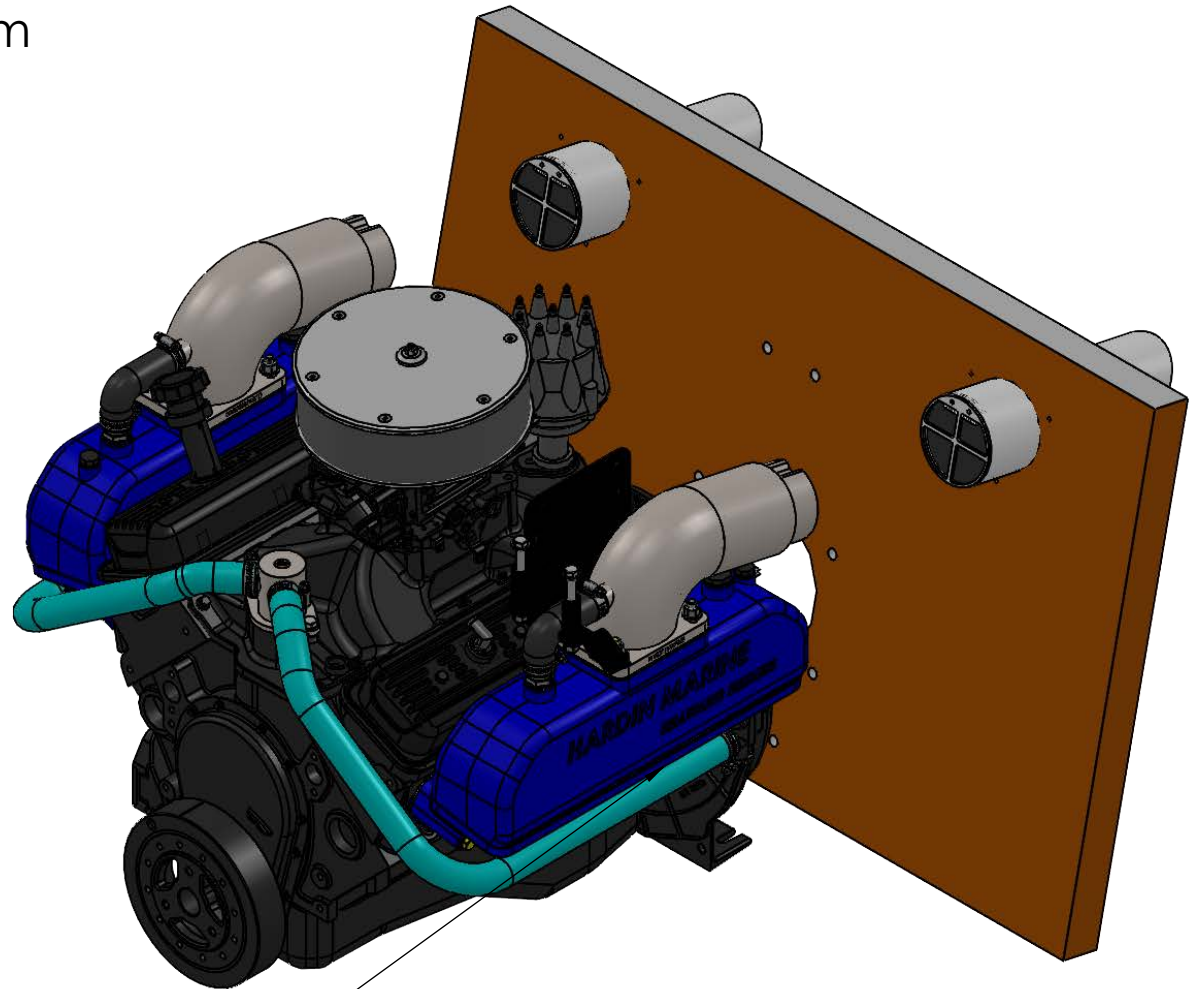
PART NO.
620-38045
620-38045Z

TITLE:

SBC SEAWARD HOSE DIAGRAM

www.hardin-marine.com

SEAWARD EXHAUST MANIFOLDS REQUIRE A CONSTANT FLOW OF COOLING WATER. COOLING SYSTEM PLUMBING TO BE PLUMBED FROM THE ENGINES TOP WATER DISCHARGE OR THERMOSTAT HOUSING TO THE BOTTOM INLET PROVISION OF THE EXHAUST MANIFOLD. WATER FLOW VERTICALLY THROUGH THE EXHAUST MANIFOLD AND IS DISCHARGED THROUGH A JUMP CONNECTION HOSE TO THE EXHAUST RISER FOR COOLING.



FOR ENGINES WITH A 4 PORT THERMOSTAT HOUSING. BUY A 420-910311 "Y" FITTING.

TITLE:

SEAWARD SBC RISER INSTALL KIT

www.hardin-marine.com

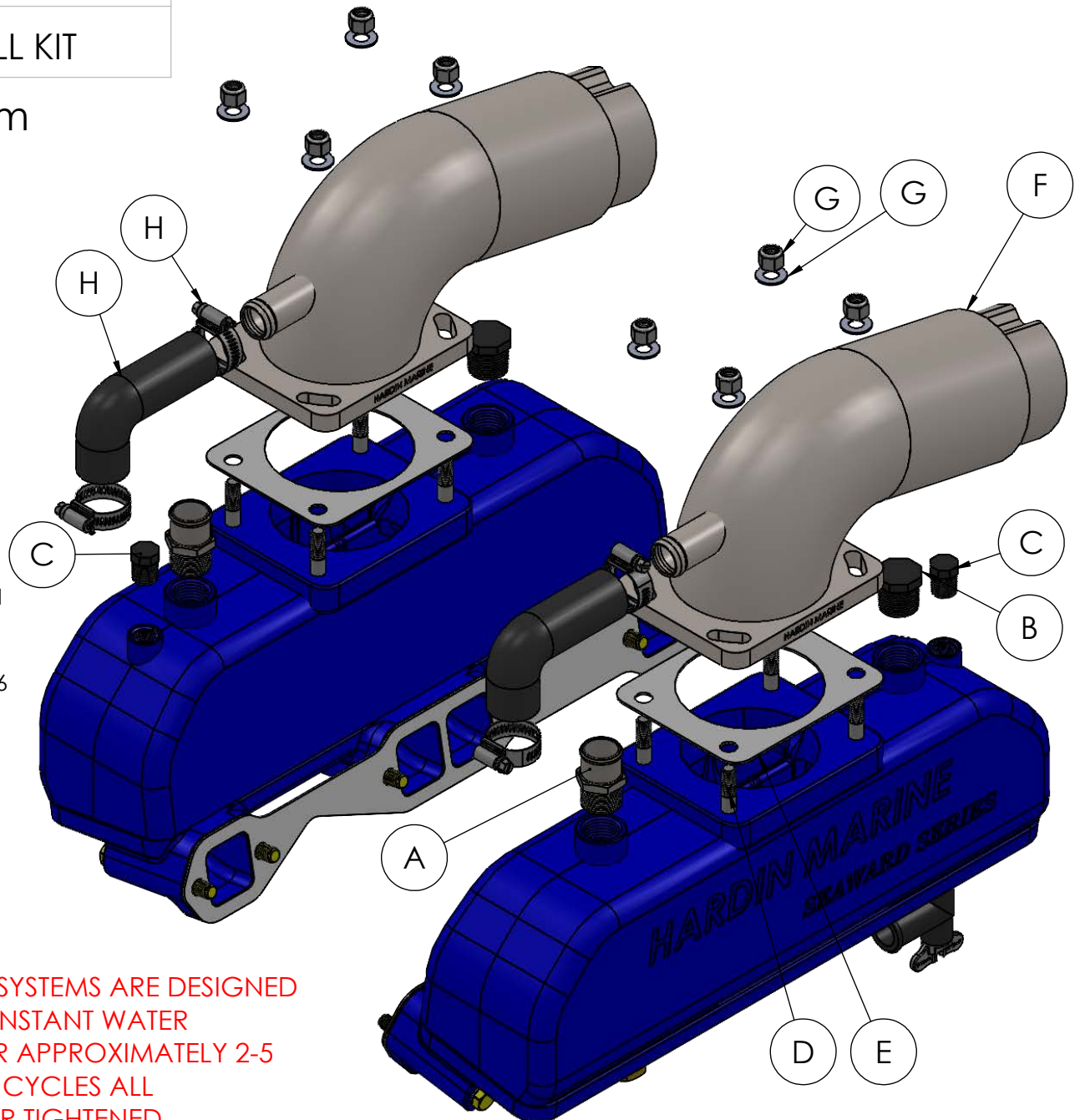
INSTALLATION INSTRUCTIONS:

- 1) APPLY LIQUID THREAD SEALANT TO THE SUPPLIED 1" HOSE BARB FITTING, 3/8 & 3/4 NPT PIPE PLUGS.
- 2) USING 1-1/16 WRENCH, INSTALL 1" HOSE BARB FITTINGS INTO FRONT OF THE MANIFOLDS, FIG. A.
- 3) USING 1-1/8 WRENCH, INSTALL 3/4 NPT PIPE PLUGS INTO THE REAR OF THE MANIFOLDS, FIG. B.
- 4) USING 13/16 WRENCH, INSTALL 3/8 NPT PIPE PLUGS, FIG C.
- 4) APPLY ANTI-SIEZE TO THE 8 STUDS, FIG. D.
- 5) SLIDE GASKETS OVER STUDS, FIG. E. DO NOT USE SEALANT ON THE GASKETS.
- 6) INSTALL RISERS, FIG. F.
- 7) IF YOU ARE INSTALLING 620-38051 SHIFT BRACKET AND 620-38050 OIL FILTER RELOCATION BRACKET, INSTALL THEM NOW. USE THE INSTRUCTIONS THAT CAME WITH THOSE KITS.
- 8) INSTALL WASHERS AND NUTS, FIG F. USING 9/16 SOCKET, TORQUE TO 30 FT. LBS..
- 9) INSTALL JUMPER HOSE AND HOSE CLAMPS, FIG.H.

MANIFOLDS COME BLACK. SHOWN IN BLUE FOR INSTRUCTION PURPOSES.

CAUTION HARDIN MARINE MANIFOLD SYSTEMS ARE DESIGNED FOR USE ON ENGINES WITH FULL TIME CONSTANT WATER CIRCULATION AT ALL TIMES. NOTE** AFTER APPROXIMATELY 2-5 HOURS USE OR NUMEROUS ENGINE HEAT CYCLES ALL HARDWARE MUST BE RETORQUED AND OR TIGHTENED.**

THIS DRAWING IS CONFIDENTIAL AND IS SUPPLIED ON EXPRESS CONDITION THAT IT SHALL NOT BE LENT, COPIED OR DISCLOSED TO ANY OTHER PERSON OR USED FOR ANY OTHER PURPOSE WITHOUT WRITTEN CONSENT OF HARDIN MARINE INC.. BREACH OF THIS CONTRACT WILL HOLD AND IT'S PRINCIPALS LIABLE FOR LOSS AND DAMAGES.



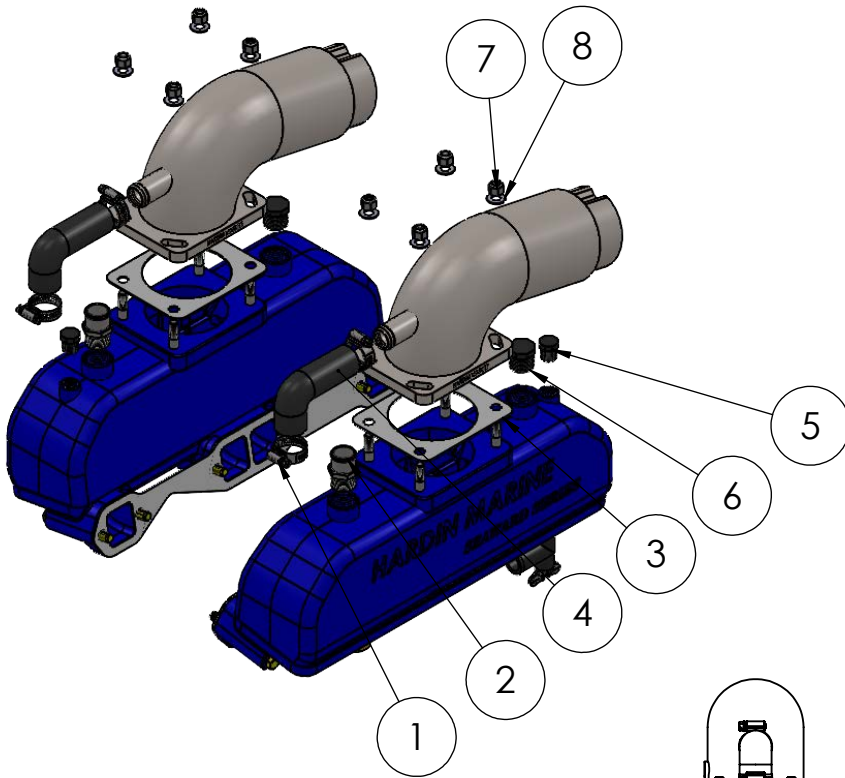
HARDIN MARINE 11 Industry Dr. Palm Coast, FL 32137
386-445-2500 / FAX 386-445-1122

PART NO.
620-38046

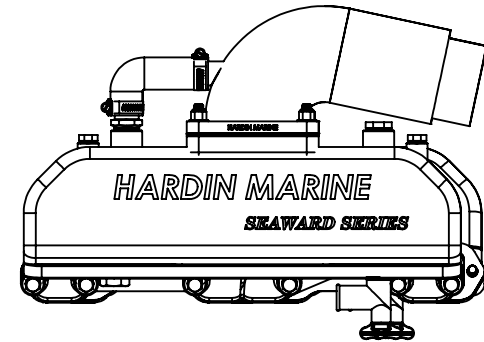
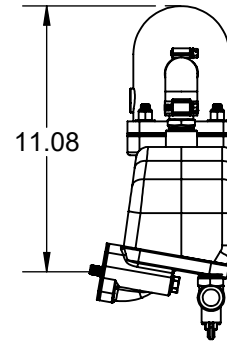
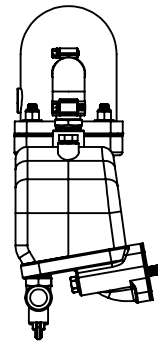
TITLE:
SEAWARD SBC RISER INSTALL KIT

www.hardin-marine.com

ITEM NO.	PART NUMBER	DESCRIPTION	QTY.
1	100-720-6316	HOSE CLAMP	4
2	540-222132	FITTING, 1" BARB	2
3	620-38006	RISER GASKET	2
4	620-38029	HOSE, RISER - PORT	2
5	625-2084	PLUG, PIPE 3/8NPT	2
6	625-2086	PLUG, PIPE - 3/4 NPT	2
7	90037CN-FNSS	NUT, 3/8-16	8
8	90037SA-STSS	WASHER, 3/8 SAE	8



MANIFOLDS COME BLACK. SHOWN IN BLUE FOR INSTRUCTION PURPOSES.



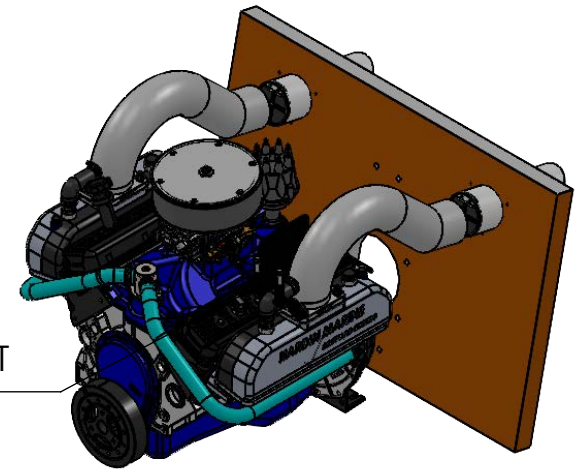
THIS DRAWING IS CONFIDENTIAL AND IS SUPPLIED ON EXPRESS CONDITION THAT IT SHALL NOT BE LENT, COPIED OR DISCLOSED TO ANY OTHER PERSON OR USED FOR ANY OTHER PURPOSE WITHOUT WRITTEN CONSENT OF HARDIN MARINE INC.. BREACH OF THIS CONTRACT WILL HOLD AND IT'S PRINCIPALS LIABLE FOR LOSS AND DAMAGES.

HARDIN MARINE 11 Industry Dr. Palm Coast, FL 32137
386-445-2500 / FAX 386-445-1122

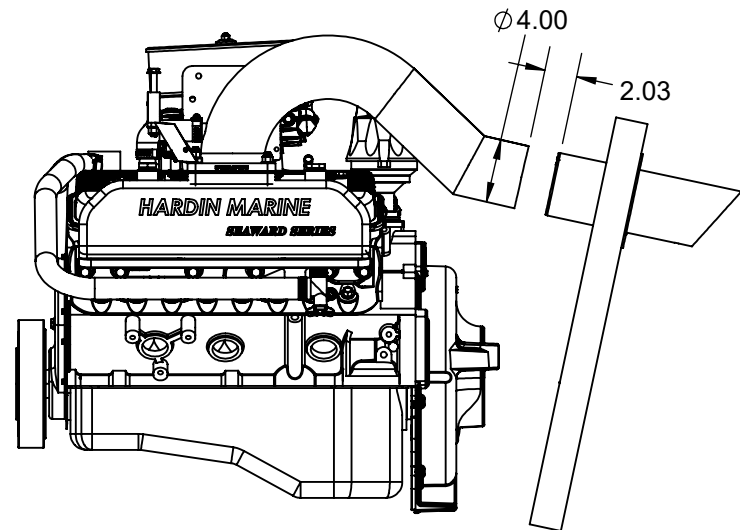
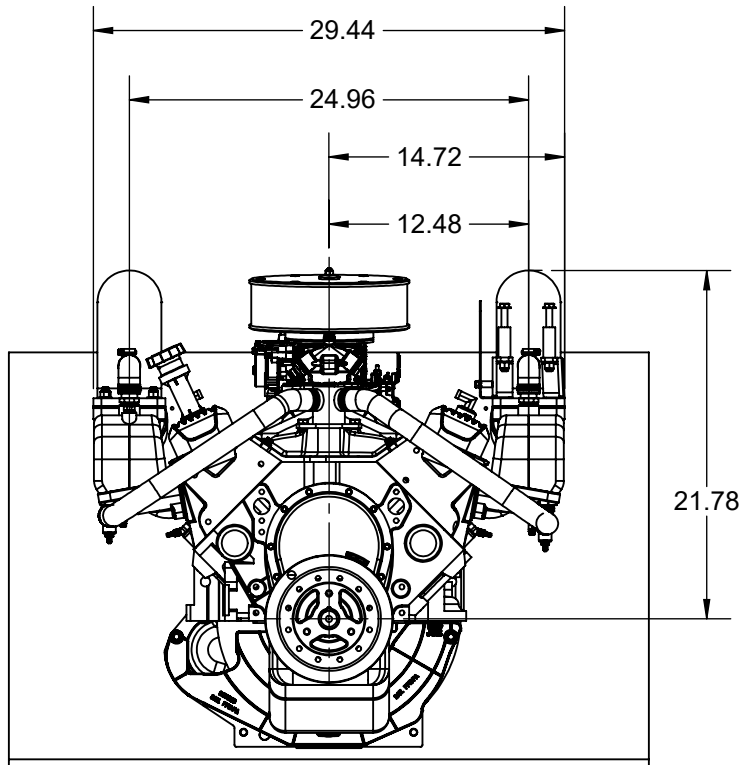
PART NO.
620-38049
620-38049Z

TITLE:
SEAWARD SBC w/ HP RISERS

www.hardin-marine.com



SHOWN WITH OPTIONAL
620-38050 OIL FILTER BRACKET
& 620-38051 SHIFT BRACKET.



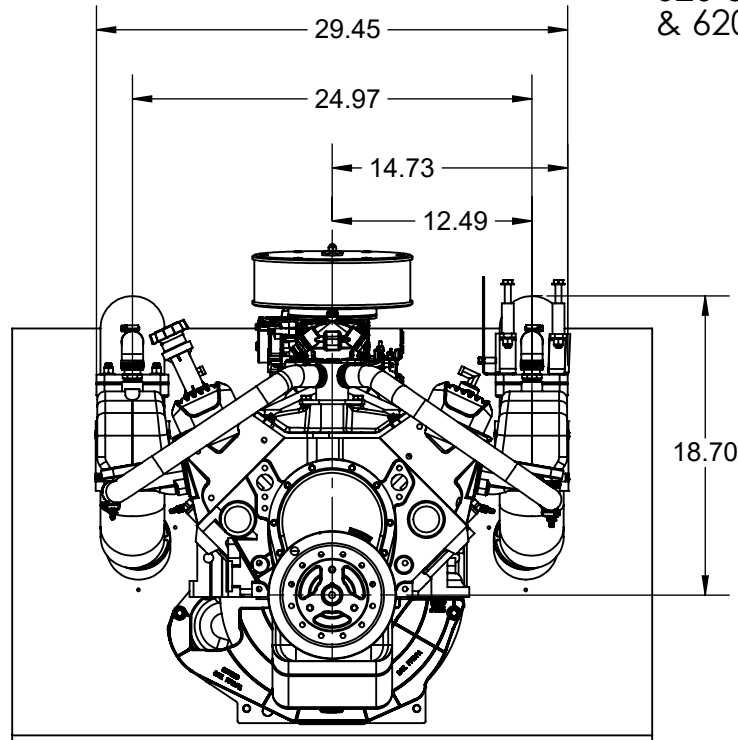
HARDIN MARINE 11 Industry Dr. Palm Coast, FL 32137
386-445-2500 / FAX 386-445-1122

PART NO.
620-38106
620-38106Z

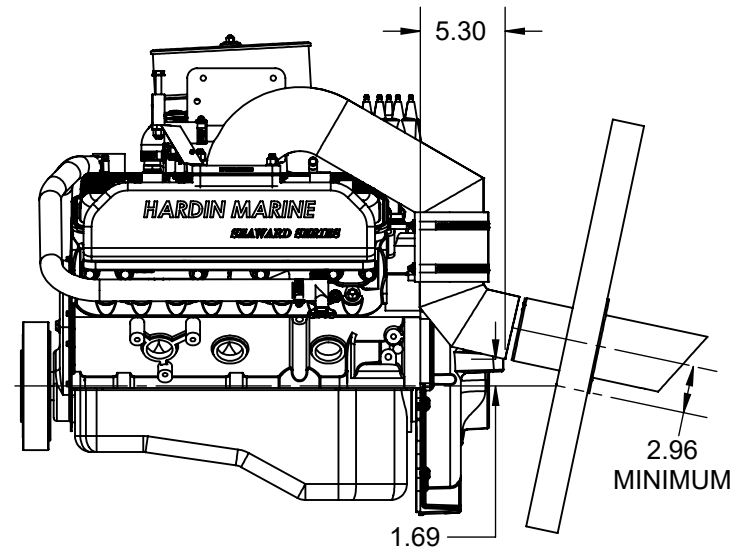
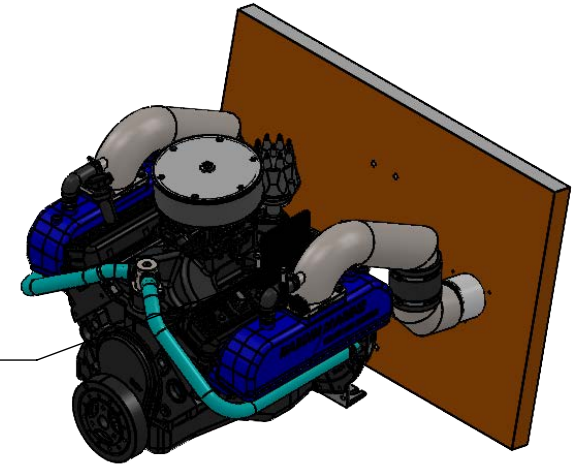
TITLE:

SEAWARD SBC w/ LOW EXIT TAILPIPES

www.hardin-marine.com



SHOWN WITH OPTIONAL
620-38050 OIL FILTER BRACKET
& 620-38051 SHIFT BRACKET.



MINIMUM LENGTH IS 9-5/8 WITH 5" OF HOSE AND 12-5/8 WITH 8" OF HOSE. WE SUPPLY KIT WITH 16" OF HOSE AND 4 HOSE CLAMPS. IF YOU NEED IT TO BE LOWER YOU WILL NEED TO BUY MORE 100-200-4004 4" EXHAUST HOSE. MAKE SURE TO HAVE MINIMUM 2-1/2 OF HOSE CLAMPING ON BOTH THE UPPER TAILPIPE AND THE LOWER EXIT. DIMENSIONS ABOVE ARE THE MINIMUM ASSEMBLED HEIGHT.

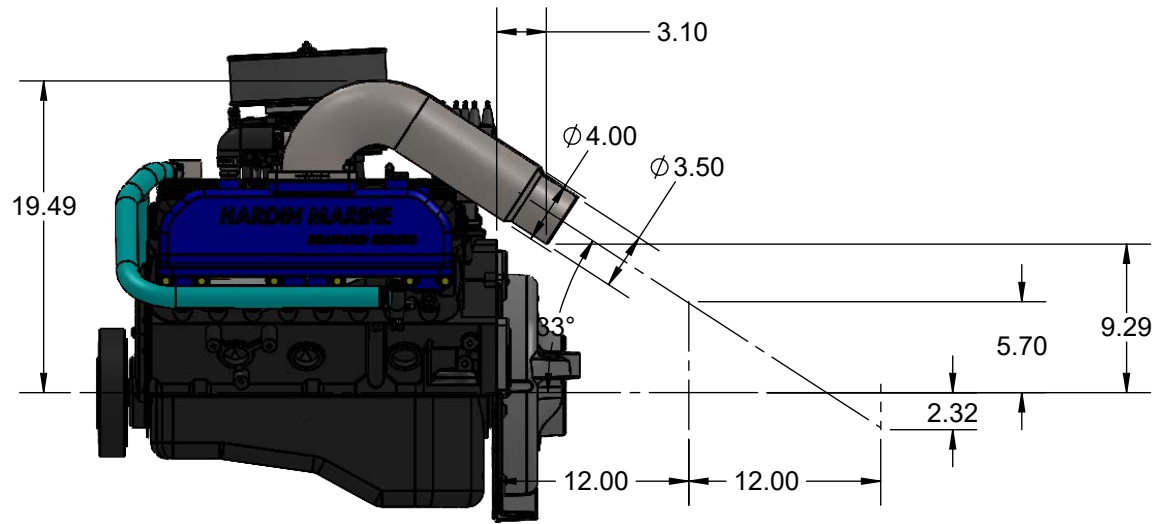
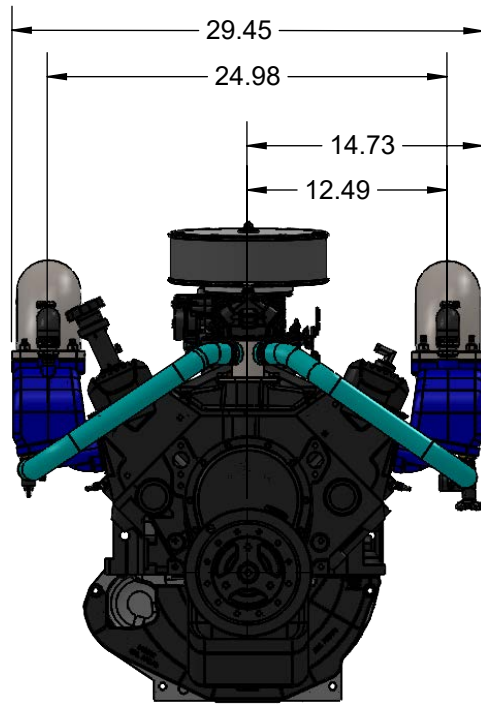
THIS DRAWING IS CONFIDENTIAL AND IS SUPPLIED ON EXPRESS CONDITION THAT IT SHALL NOT BE LENT, COPIED OR DISCLOSED TO ANY OTHER PERSON OR USED FOR ANY OTHER PURPOSE WITHOUT WRITTEN CONSENT OF HARDIN MARINE INC.. BREACH OF THIS CONTRACT WILL HOLD AND IT'S PRINCIPALS LIABLE FOR LOSS AND DAMAGES.

HARDIN MARINE 11 Industry Dr. Palm Coast, FL 32137
386-445-2500 / FAX 386-445-1122

PART NO.
620-38116
620-38116Z

TITLE:
SEAWARD SBC SKI BOAT EXHAUST

www.hardin-marine.com



THIS DRAWING IS CONFIDENTIAL AND IS SUPPLIED ON EXPRESS CONDITION THAT IT SHALL NOT BE LENT, COPIED OR DISCLOSED TO ANY OTHER PERSON OR USED FOR ANY OTHER PURPOSE WITHOUT WRITTEN CONSENT OF HARDIN MARINE INC.. BREACH OF THIS CONTRACT WILL HOLD AND IT'S PRINCIPALS LIABLE FOR LOSS AND DAMAGES.

HARDIN
MARINE

11 Industry Dr. Palm Coast, FL 32137
386-445-2500 / FAX 386-445-1122

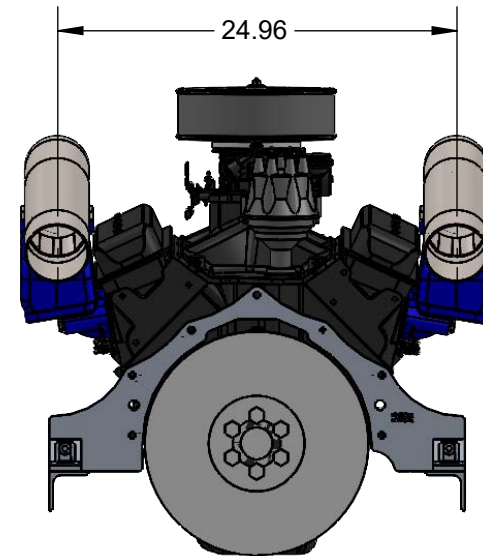
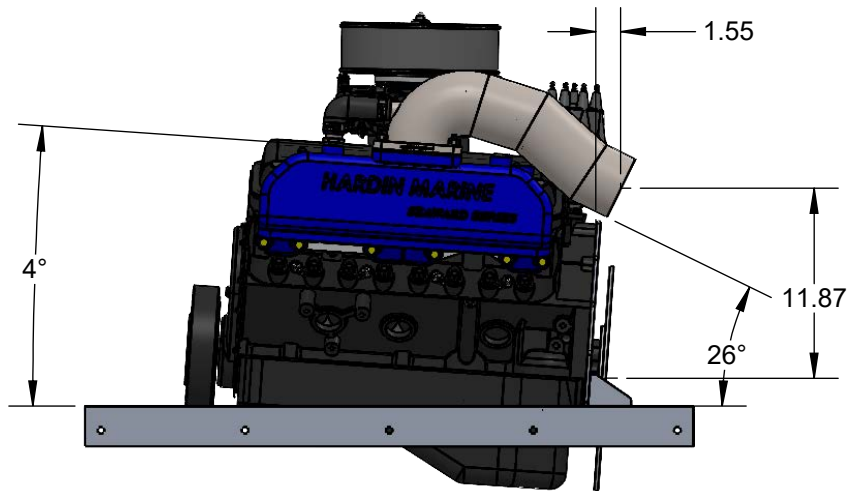
PART NO.

620-38182

TITLE:

SEAWARD SBC JET BOAT 4" SYSTEM

www.hardin-marine.com



THIS DRAWING IS CONFIDENTIAL AND IS SUPPLIED ON EXPRESS CONDITION THAT IT SHALL NOT BE LENT, COPIED OR DISCLOSED TO ANY OTHER PERSON OR USED FOR ANY OTHER PURPOSE WITHOUT WRITTEN CONSENT OF HARDIN MARINE INC.. BREACH OF THIS CONTRACT WILL HOLD AND IT'S PRINCIPALS LIABLE FOR LOSS AND DAMAGES.

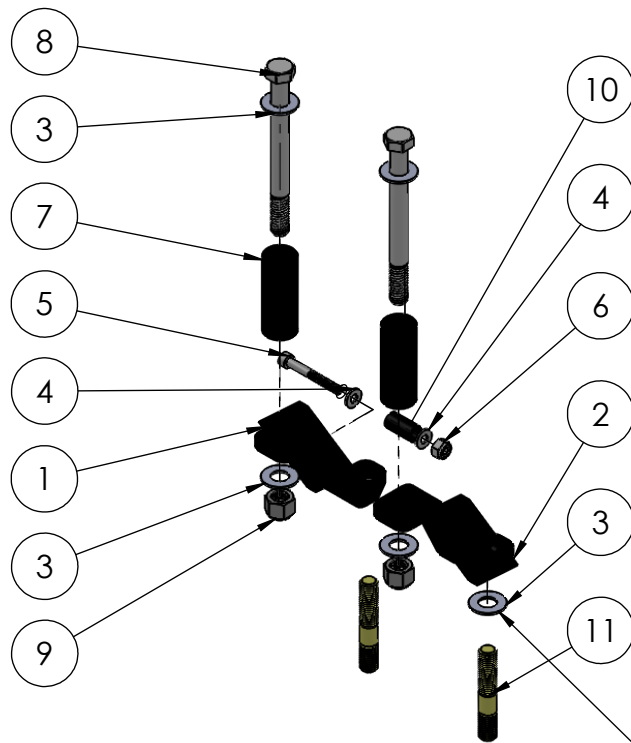
HARDIN MARINE 11 Industry Dr. Palm Coast, FL 32137
386-445-2500 / FAX 386-445-1122

PART NO.
620-38050

ITEM NO.	PART NUMBER	DESCRIPTION	QTY.
1	620-38052	BRKT, OIL FILTER - SEAWARD - STRB	1
2	620-32500R	BRKT, OIL FILTER - PORT	1
3	90037SA-STSS	WASHER, 3/8 SAE	5
4	90010AN-STSS	WASHER, #10 AN	2
5	90010C150SHS	BOLT	1
6	90010CN-FNSS	NUT, 10-24	1
7	620-32500C	SPACER, OIL FILTER RELOCATION	2
8	90037C400HHS	BOLT, 3/8	2
9	90037CN-FNSS	NUT, 3/8-16	2
10	620-38054	SPACER, OIL FILTER BRKT - SEAWARD	1
11	420-100	STUD, EXHAUST	2

TITLE:
SEAWARD OIL FILTER BRACKET-PARTS BREAKDOWN

www.hardin-marine.com



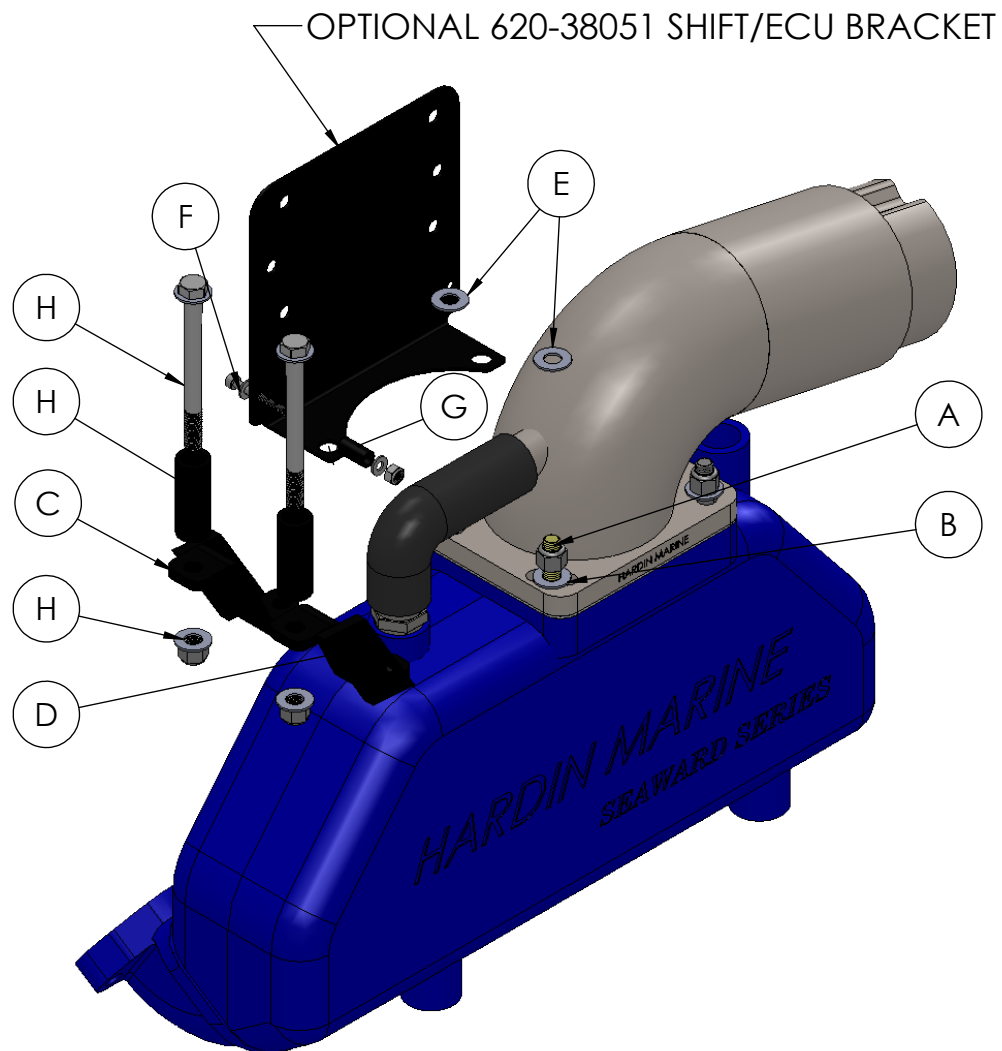
IMPORTANT NOTES:

- 1) ALWAYS USE ANTI-SIEZE ON ALL BOLTS.
- 2) TORQUE #10 BOLTS TO 100 IN. LBS..
- 3) TORQUE 3/8 BOLTS TO 35 FT. LBS..
- 4) PARTS 4,5,6 & 10 ARE ONLY USED WHEN INSTALLING BRACKET WITH 620-38051 SHIFT/ECU BRACKET.
- 5) REPLACE THE EXISTING MANIFOLD STUDS WITH #11 STUDS.

THIS WASHER IS ONLY USED WHEN INSTALL THIS KIT AND 620-38051 SHIFT/ECU BRACKET

TITLE:
SEAWARD OIL FILTER BRACKET-EXPLODED VIEW

www.hardin-marine.com



INSTALLATION INSTRUCTIONS:

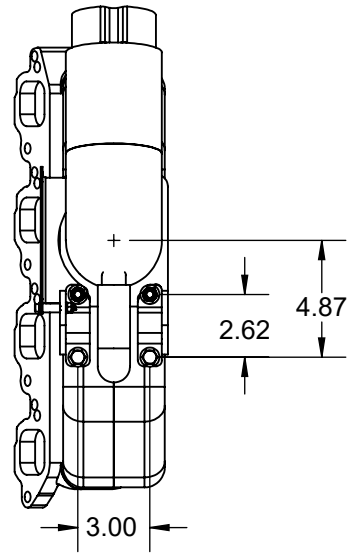
- 1) SEE PRINT 620-38050 PARTS FOR EXACT LIST OF PARTS THAT COME IN THIS KIT.
- 2) ASSEMBLY SHOWN WITH OPTIONAL 620-38051 SHIFT/ECU BRACKET. IF BRACKET IS NOT USED SKIP LINES 4,5, 7,8 & 9.
- 3) REPLACE THE EXISTING 2 STUDS THAT ARE IN THE MANIFOLD WITH THE SUPPLIED LONGER STUDS, FIG. A.
- 4) INSTALL WASHER OVER STUD. SEE FIG. B. **THIS WASHER IS ONLY USED WITH THE 620-38051 BRACKET!**
- 5) INSTALL 620-38051 BRACKET OVER THE STUDS.
- 6) SLIDE 620-38052 BRACKET, FIG C, & 620-32500R BRACKET, FIG. D OVER THE 2 STUDS. APPLY ANTI-SIEZE TO THE STUDS. INSTALL WASHER AND NUT FROM HEADER INSTALL KIT, FIG E. DO NOT TIGHTEN NUTS.
- 7) INSTALL #10BOLT WITH WASHER THRU THE 620-38051 BRACKET, FIG. F.
- 8) POSITION 620-38054, FIG G. SPACER BETWEEN THE 620-38051 & 620-38052 BRACKET.
- 9) APPLY ANTI-SIEZE TO THE BOLT. INSTALL #10 NUT AND WASHER ON THE INSIDE OF 620-38052 BRACKET. TORQUE TO 100 IN. LBS..
- 10) INSTALL FACTORY OIL FILTER BRACKET USING THE LONG 3/8 BOLTS, WASHERS, NUTS & SPACERS. SEE FIG. H.
- 11) NOW TORQUE ALL THE 3/8 NUTS, TO 35 FT. LBS..

HARDIN MARINE 11 Industry Dr. Palm Coast, FL 32137
386-445-2500 / FAX 386-445-1122

PART NO.
620-38050

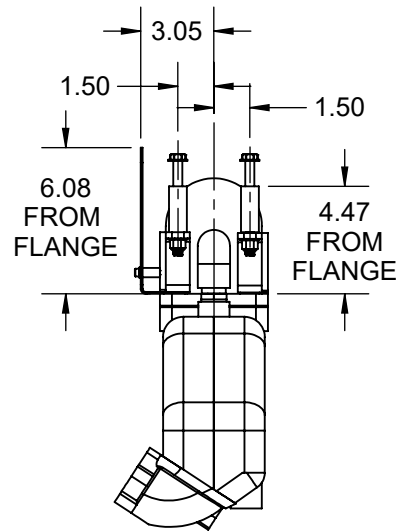
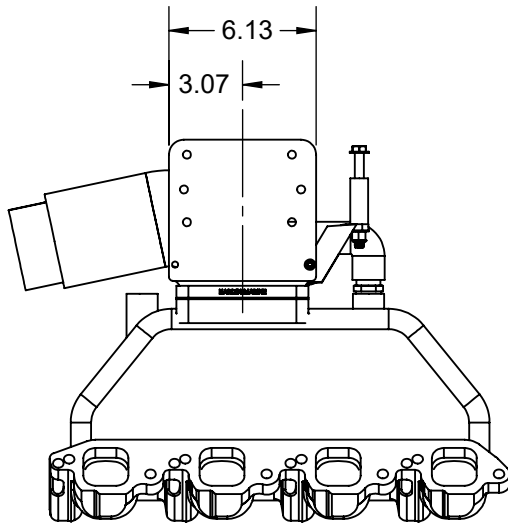
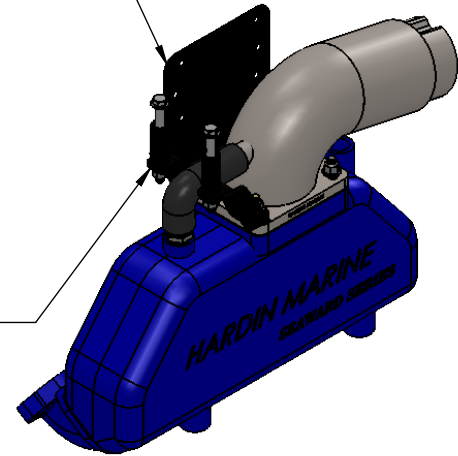
TITLE:
SEAWARD OIL FILTER BRACKET-DIMENSIONS

www.hardin-marine.com



620-38051 SHIFT/ECU BRACKET,
NOT INCLUDED IN 620-38050 KIT

620-38050 OIL FILTER BRACKET



THIS DRAWING IS CONFIDENTIAL AND IS SUPPLIED ON EXPRESS CONDITION THAT IT SHALL NOT BE LENT, COPIED OR DISCLOSED TO ANY OTHER PERSON OR USED FOR ANY OTHER PURPOSE WITHOUT WRITTEN CONSENT OF HARDIN MARINE INC.. BREACH OF THIS CONTRACT WILL HOLD AND IT'S PRINCIPALS LIABLE FOR LOSS AND DAMAGES.