

HARDIN
MARINE

11 Industry Dr. Palm Coast, FL 32137
386-445-2500 / FAX 386-445-1122

PART NO.

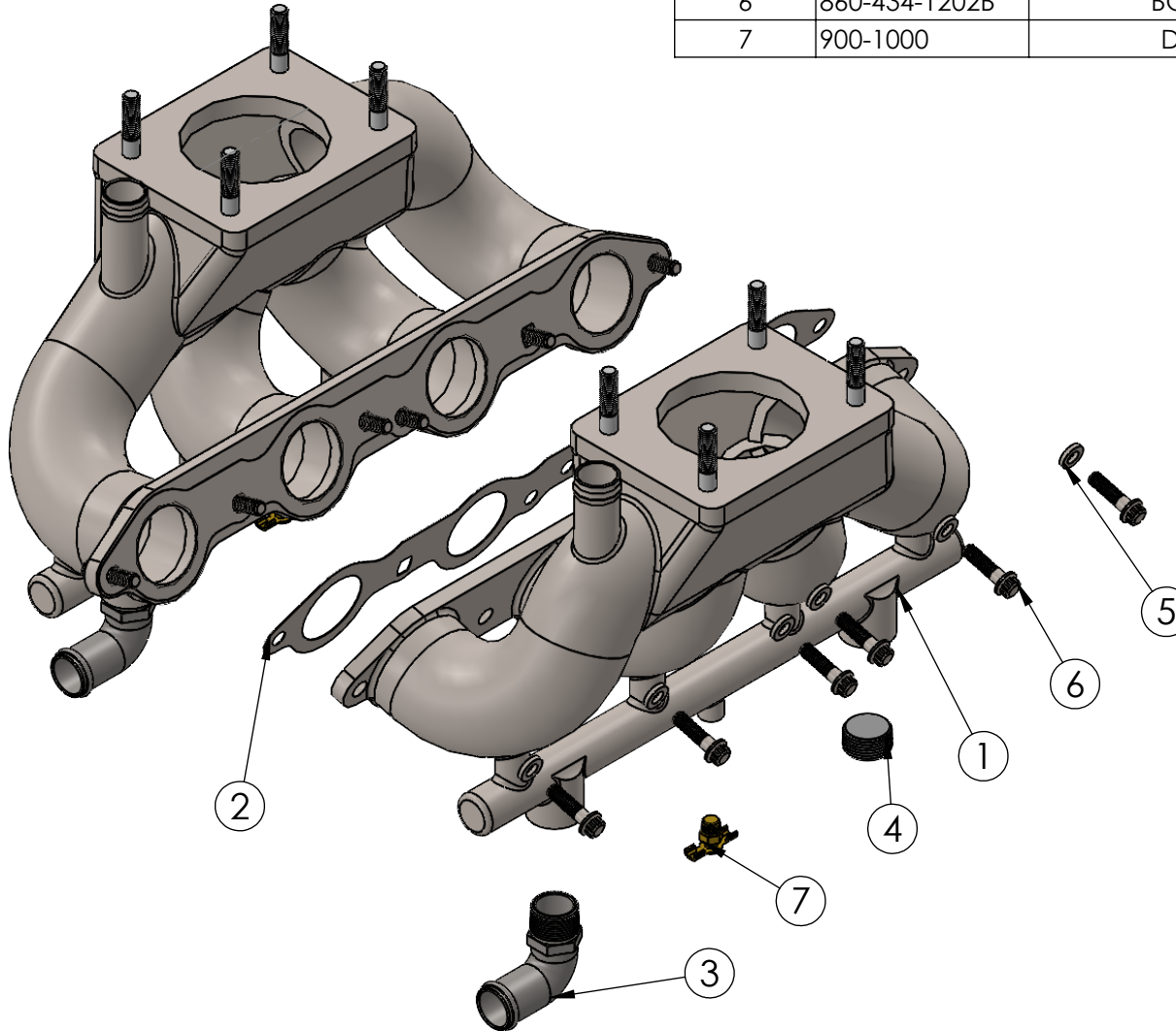
620-32571

TITLE:

LS CYCLONE HEADER INSTALL KIT

www.hardin-marine.com

ITEM NO.	PART NUMBER	DESCRIPTION	QTY.
1	620-32550	LS CYCLONE HEADER	1
2	302-C5818-030	GASKET, LS EXHAUST	2
3	540-222120	FITTING, 3/4NPT x 1' BARB 90 DEG	2
4	540-222999	3/4NPT PIPE PLUG	2
5	860-424-1202W	WASHER, LS EXH BOLT	12
6	860-434-1202B	BOLT, LS HEADER	12
7	900-1000	DRAIN, 1/8 NPT	2



THIS DRAWING IS CONFIDENTIAL AND IS SUPPLIED ON EXPRESS CONDITION THAT IT SHALL NOT BE LENT, COPIED OR DISCLOSED TO ANY OTHER PERSON OR USED FOR ANY OTHER PURPOSE WITHOUT WRITTEN CONSENT OF HARDIN MARINE INC.. BREACH OF THIS CONTRACT WILL HOLD AND IT'S PRINCIPALS LIABLE FOR LOSS AND DAMAGES.

HARDIN
MARINE

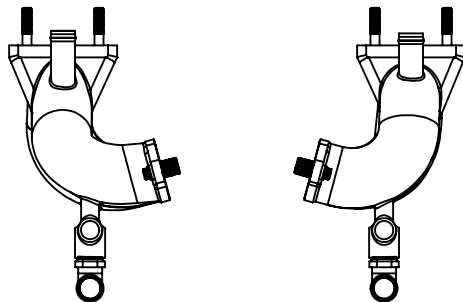
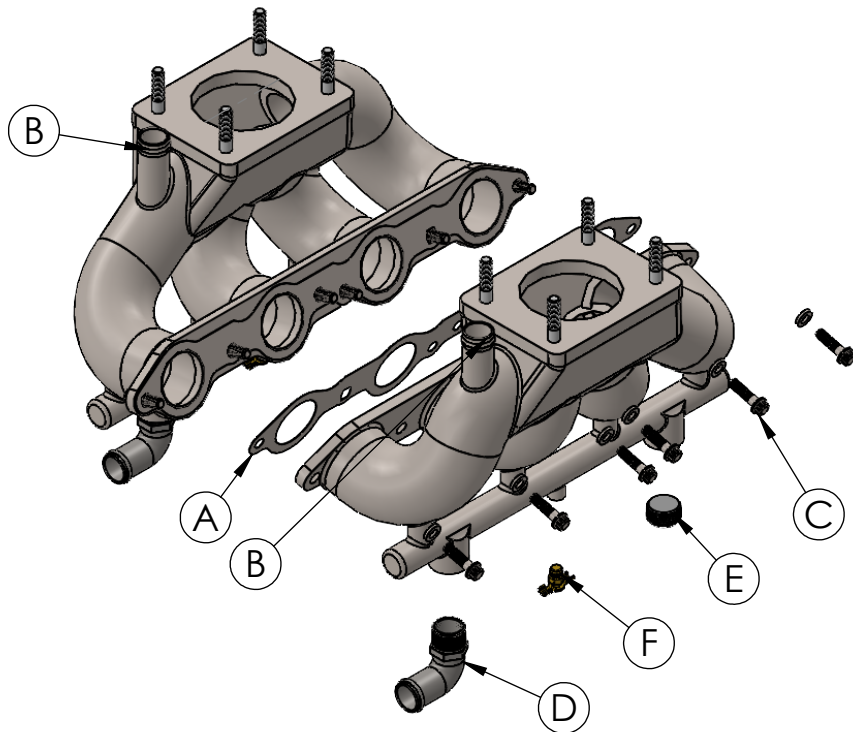
11 Industry Dr. Palm Coast, FL 32137
386-445-2500 / FAX 386-445-1122

PART NO.
620-32571

TITLE:

LS CYCLONE HEADER INSTALLATION

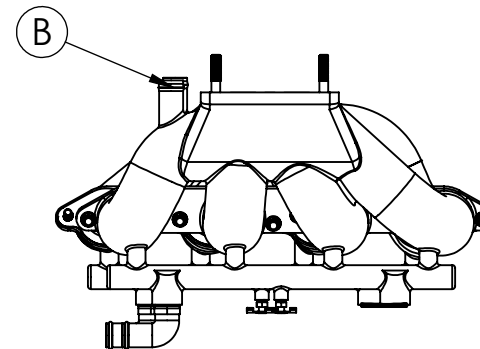
www.hardin-marine.com



INSTALLATION INSTRUCTIONS:

- 1) MAKE SURE CYLINDER HEAD EXHAUST MOUNTING SURFACE IS FREE OF KNICKS AND ANY OLD GASKET MATERIAL.
- 2) SEALANT IS NOT REQUIRED ON THE NEW SUPPLIED GASKETS, FIG. A
- 3) INSTALL MANIFOLDS WITH THE WATER OUTLET BUNGS FOWARD, FIG. B.
- 4) INSTALL MANIFOLDS WITH THE SUPPLIED ARP 8MM BOLTS AND WASHERS. APPLY ANTI-SIEZE TO THE BOLTS, FIG. C. USING 10MM 12 POINT SOCKET, TORQUE BOLTS TO 24 FT. LBS..
- 5) APPLY LIQUID PIPE SEALANT TO THE PIPE PLUGS, FITTINGS AND WATER DRAINS.
- 6) USING 1-1/6 WRENCH, INSTALL FITTING INTO THE FRONT OF THE DISTRIBUTION TUBE ON BOTH SIDE, FIG. D. ATTACH 1" WATER HOSE COMING FROM THE ENGINE OR HEAT EXCHANGER.
- 7) USING 9/16 ALLEN KEY, INSTALL 3/4 PIPE PLUG INTO THE END BUNG ON THE DISTRIBUTION TUBE ON BOTH SIDE. FIG. E.
- 8) USING 7/16 WRENCH, INSTALL DRAIN PLUG INTO THE CENTER BUNG ON THE DISTRIBUTION TUBE ON BOTH SIDES, FIG F.

CAUTION HARDIN MARINE HEADER SYSTEMS ARE DESIGNED FOR USE ON ENGINES WITH FULL TIME CONSTANT WATER CIRCULATION AT ALL TIMES. NOTE** AFTER APPROXIMATELY 2-5 HOURS USE OR NUMEROUS ENGINE HEAT CYCLES ALL HARDWARE MUST BE RETORQUED AND OR TIGHTENED.**



THIS DRAWING IS CONFIDENTIAL AND IS SUPPLIED ON EXPRESS CONDITION THAT IT SHALL NOT BE LENT, COPIED OR DISCLOSED TO ANY OTHER PERSON OR USED FOR ANY OTHER PURPOSE WITHOUT WRITTEN CONSENT OF HARDIN MARINE INC.. BREACH OF THIS CONTRACT WILL HOLD AND IT'S PRINCIPALS LIABLE FOR LOSS AND DAMAGES.

HARDIN
MARINE

11 Industry Dr. Palm Coast, FL 32137
386-445-2500 / FAX 386-445-1122

PART NO.

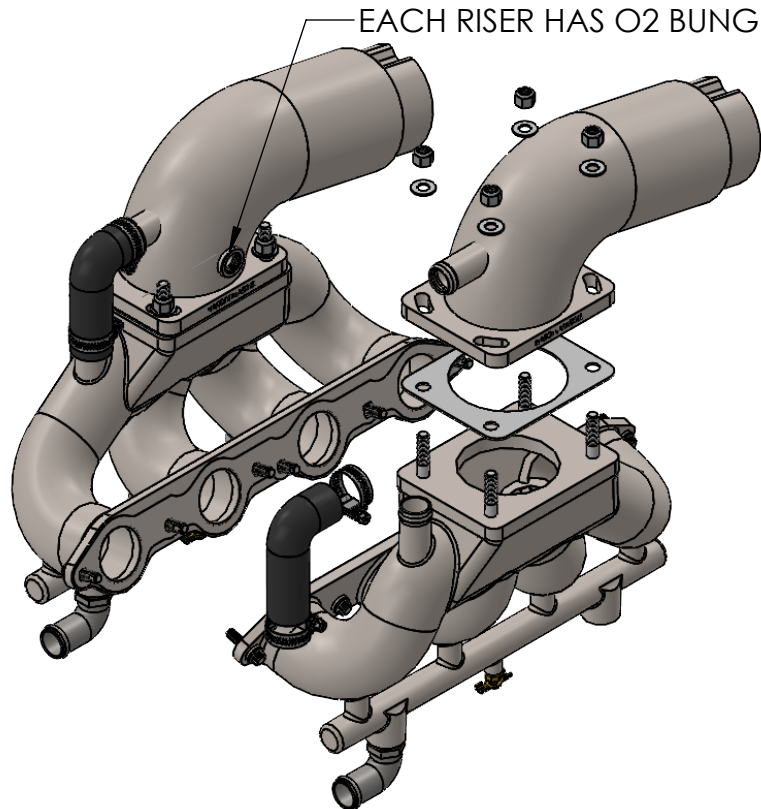
620-32572

TITLE:

LS CYCLONE RISER INSTALL KIT

www.hardin-marine.com

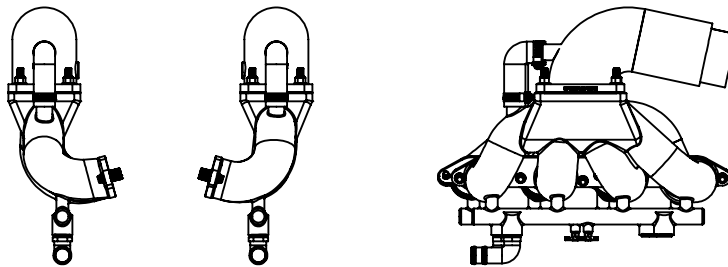
ITEM NO.	PART NUMBER	DESCRIPTION	QTY.
1	100-720-6316	HOSE CLAMP	4
2	620-38006	RISER GASKET	2
3	620-38029	HOSE, RISER - PORT	2
4	90037CN-FNSS	NUT, 3/8-16	8
5	90037SA-STSS	WASHER, 3/8 SAE	8



INSTALLATION INSTRUCTIONS:

- 1) APPLY ANTI-SIEZE TO THE 8 STUDS, FIG.A.
- 2) SLIDE GASKETS OVER THE STUDS, FIG. B. DO NOT USE ANY SEALANT ON THE GASKETS.
- 3) INSTALL RISERS USING THE 3/8 WASHERS AND NUTS, FIG.C . USING 9/16 SOCKET TORQUE TO 30 FT. LBS..
- 4) INSTALL JUMPER HOSE AND HOSE CLAMPS, AS SHOWN IN FIG. D, FOR FRESH WATER COOLING. FOR CLOSED COOLING SEE THE INSTRUCTIONS THAT COME WITH COMPLETE KIT.

CAUTION HARDIN MARINE HEADER SYSTEMS ARE DESIGNED FOR USE ON ENGINES WITH FULL TIME CONSTANT WATER CIRCULATION AT ALL TIMES. NOTE** AFTER APPROXIMATELY 2-5 HOURS USE OR NUMEROUS ENGINE HEAT CYCLES ALL HARDWARE MUST BE RETORQUED AND OR TIGHTENED.**



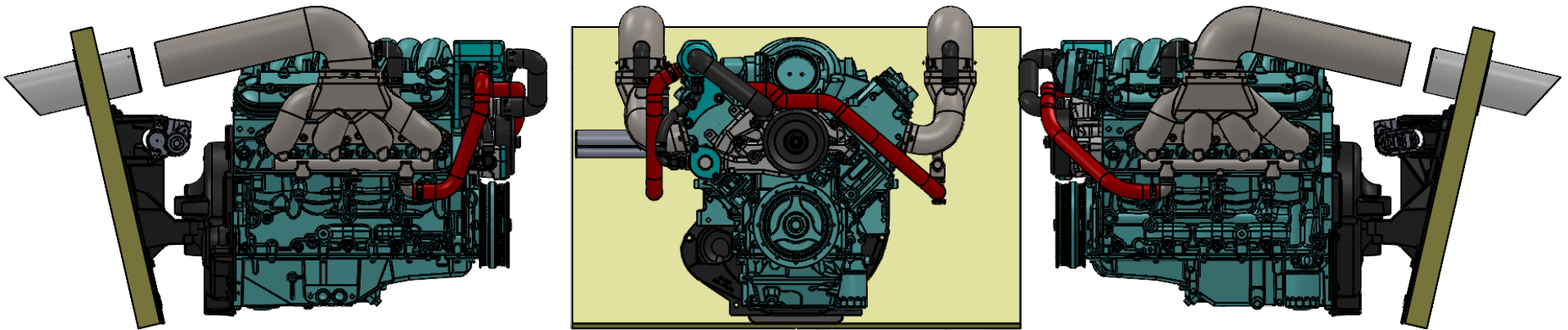
HARDIN
MARINE

11 Industry Dr. Palm Coast, FL 32137
386-445-2500 / FAX 386-445-1122

PART NO.
620-3257X

TITLE:
LS CYCLONE HEADER - FRESH
WATER PLUMBING

www.hardin-marine.com



FRESH WATER PLUMBING

- 1) SHOW WITH 625-4530 LS THERMOSTATIC COOLING SYSTEM.
- 2) THE FRESH WATER DISCHARGE FROM THE THERMOSTATIC HEAD IS PLUMBED TO THE BOTTOM OF THE HEADER DISTRIBUTION TUBE, SHOWN BY THE RED HOSE.
- 3) WATER FLOWS VERTICALLY THROUGH THE EXHAUST MANIFOLD AND IS DISCHARGED THROUGH A JUMP CONNECTION HOSE TO THE EXHAUST RISER FOR COOLING.
- 4) WATER EXITS INTERNALLY AT THE END OF THE RISER AND FLOWS THROUGH THE TIP OR OUTDRIVE.

THIS DRAWING IS CONFIDENTIAL AND IS SUPPLIED ON EXPRESS CONDITION THAT IT SHALL NOT BE LENT, COPIED OR DISCLOSED TO ANY OTHER PERSON OR USED FOR ANY OTHER PURPOSE WITHOUT WRITTEN CONSENT OF HARDIN MARINE INC.. BREACH OF THIS CONTRACT WILL HOLD AND IT'S PRINCIPALS LIABLE FOR LOSS AND DAMAGES.

HARDIN
MARINE

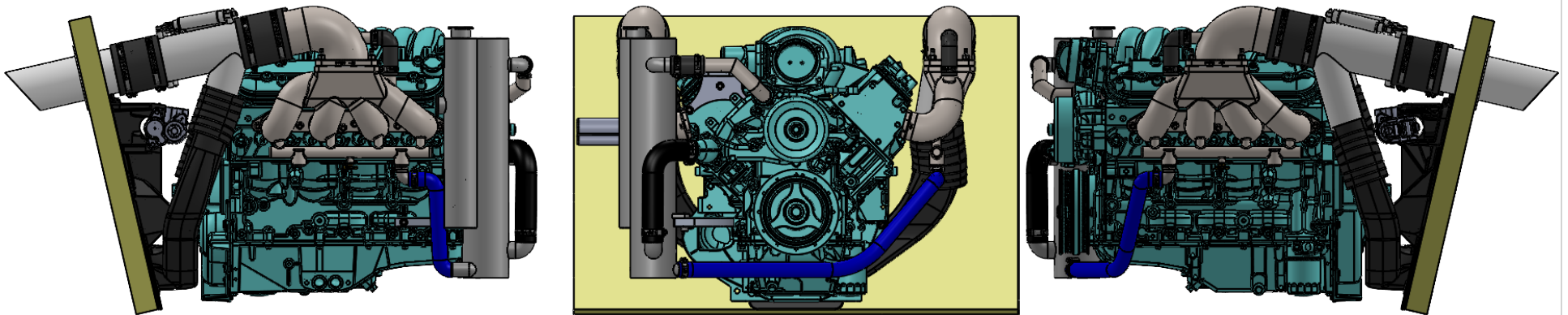
11 Industry Dr. Palm Coast, FL 32137
386-445-2500 / FAX 386-445-1122

PART NO.

620-3257X

TITLE: LS CYCLONE HEAD - CLOSED
COOLING PLUMBING

www.hardin-marine.com



CLOSED COOLING HALF SYSTEM PLUMBING

- 1) SHOW WITH 625-4574 LS VERTICAL HEAT EXCHANGER KIT.
- 2) THE FRESH WATER DISCHARGE FROM THE HEAT EXCHANGER IS PLUMBED TO THE BOTTOM OF THE HEADER DISTRIBUTION TUBE, SHOWN BY THE BLUE HOSE.
- 3) WATER FLOWS VERTICALLY THROUGH THE EXHAUST MANIFOLD AND IS DISCHARGED THROUGH A JUMP CONNECTION HOSE TO THE EXHAUST RISER FOR COOLING.
- 4) WATER EXITS INTERNALLY AT THE END OF THE RISER AND FLOWS THROUGH THE TIP OR OUTDRIVE.

THIS DRAWING IS CONFIDENTIAL AND IS SUPPLIED ON EXPRESS CONDITION THAT IT SHALL NOT BE LENT, COPIED OR DISCLOSED TO ANY OTHER PERSON OR USED FOR ANY OTHER PURPOSE WITHOUT WRITTEN CONSENT OF HARDIN MARINE INC.. BREACH OF THIS CONTRACT WILL HOLD AND IT'S PRINCIPALS LIABLE FOR LOSS AND DAMAGES.

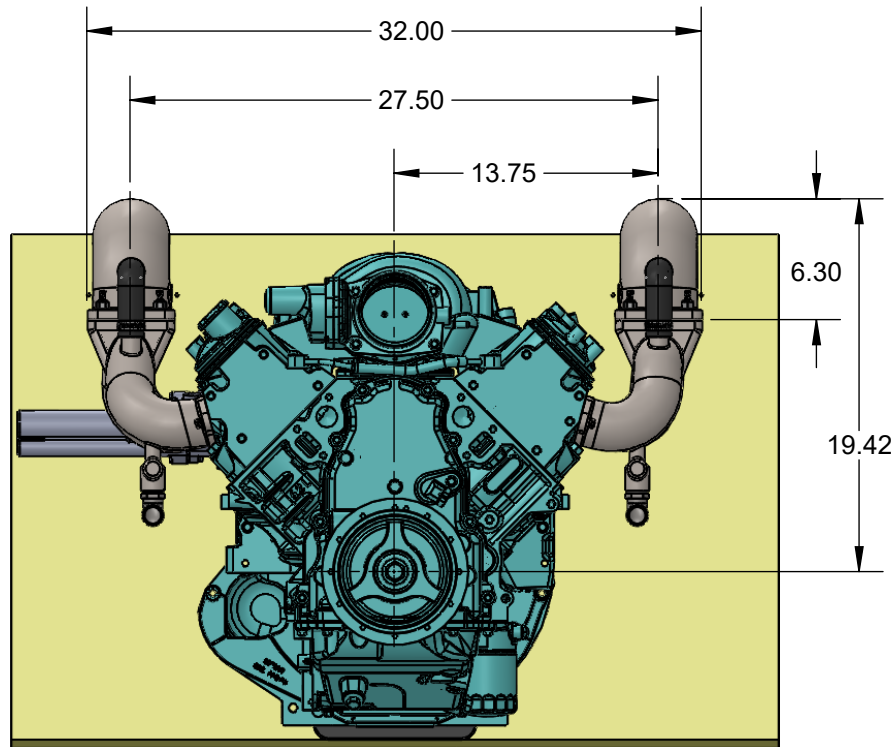
HARDIN
MARINE

11 Industry Dr. Palm Coast, FL 32137
386-445-2500 / FAX 386-445-1122

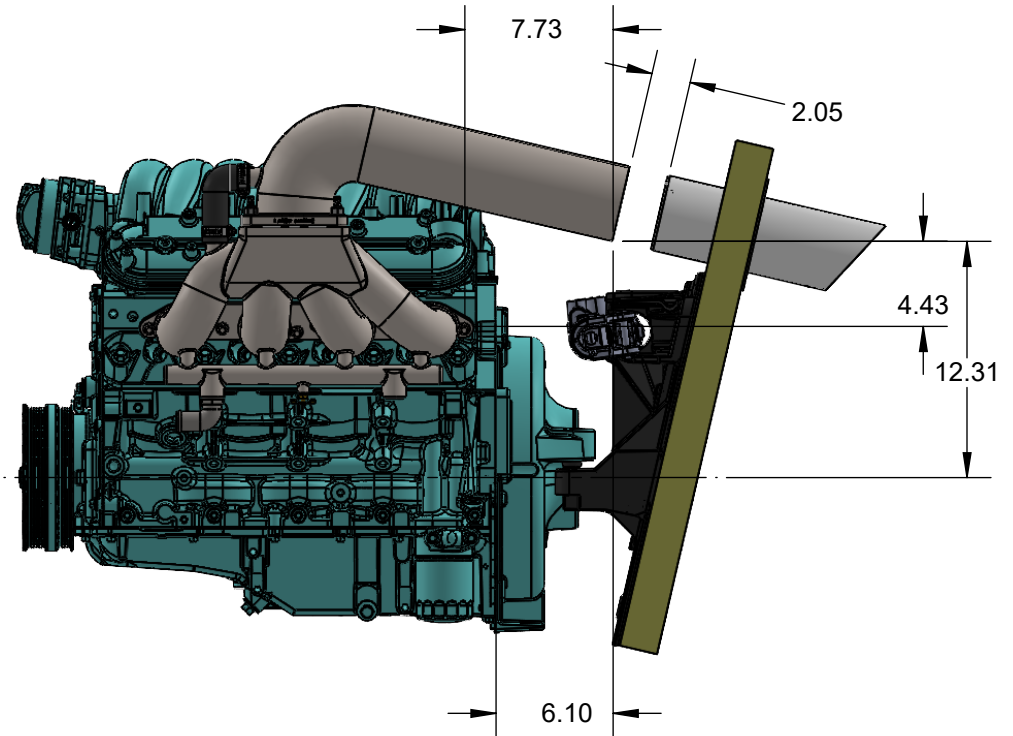
PART NO.
620-32570

TITLE:
LS CYCLONE HEADER w/ 4" STD
BRAVO WET TAILPIPES

www.hardin-marine.com



EACH RISER HAS AN INBOARD O2 BUNG
INSTALLED. WILL NOT FIT GM LT ENGINE!



CAUTION HARDIN MARINE HEADER SYSTEMS ARE
DESIGNED FOR USE ON ENGINES WITH FULL TIME
CONSTANT WATER CIRCULATION AT ALL TIMES.**

HARDIN
MARINE

11 Industry Dr. Palm Coast, FL 32137
386-445-2500 / FAX 386-445-1122

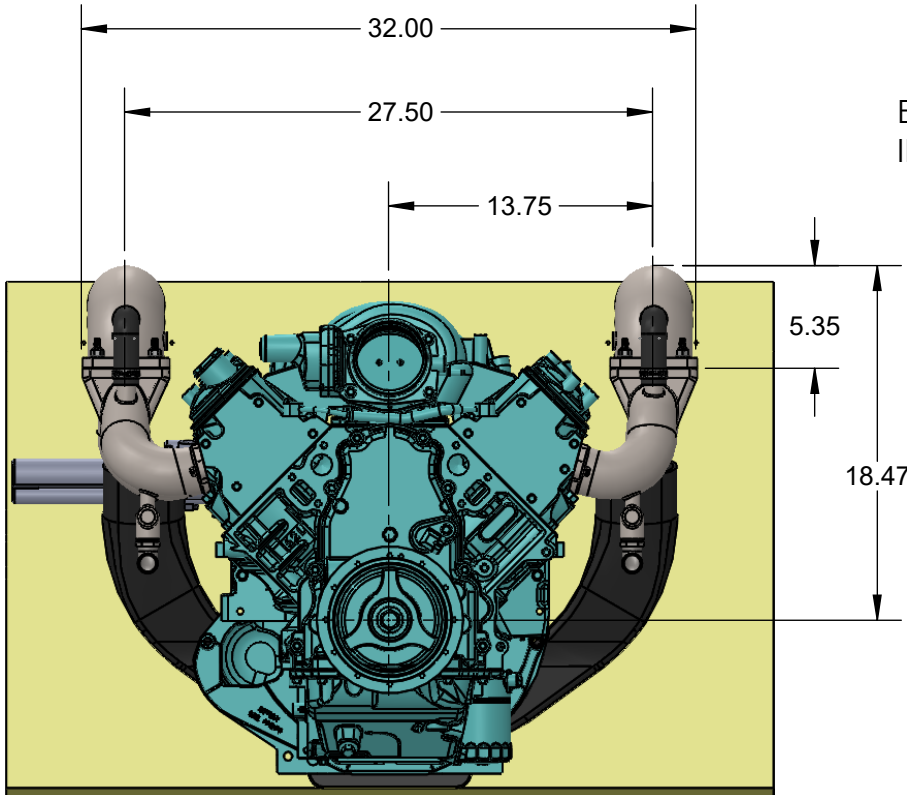
PART NO.

620-32573

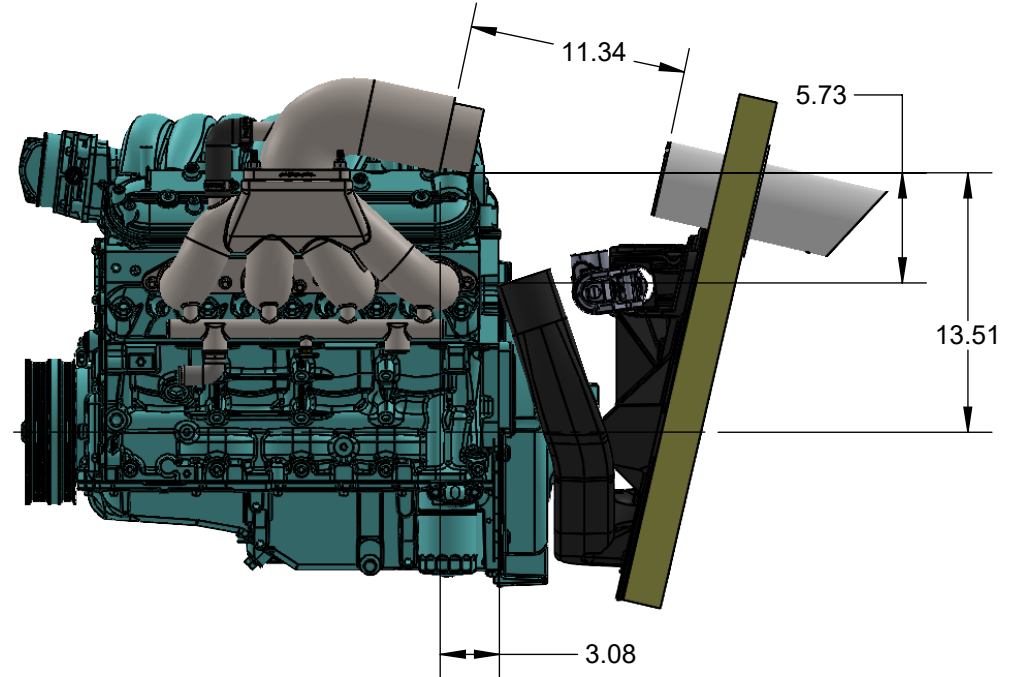
TITLE:

LS CYCLONE HEADER w/ 4" STD WET TAILPIPE

www.hardin-marine.com



EACH RISER HAS AN INBOARD O2 BUNG
INSTALLED. WILL NOT FIT GM LT ENGINE!



CAUTION HARDIN MARINE HEADER SYSTEMS ARE
DESIGNED FOR USE ON ENGINES WITH FULL TIME
CONSTANT WATER CIRCULATION AT ALL TIMES.**

THIS DRAWING IS CONFIDENTIAL AND IS SUPPLIED ON EXPRESS CONDITION THAT IT SHALL NOT BE LENT, COPIED OR DISCLOSED TO ANY OTHER PERSON OR USED FOR ANY OTHER PURPOSE WITHOUT WRITTEN CONSENT OF HARDIN MARINE INC.. BREACH OF THIS CONTRACT WILL HOLD AND IT'S PRINCIPALS LIABLE FOR LOSS AND DAMAGES.

HARDIN
MARINE

11 Industry Dr. Palm Coast, FL 32137
386-445-2500 / FAX 386-445-1122

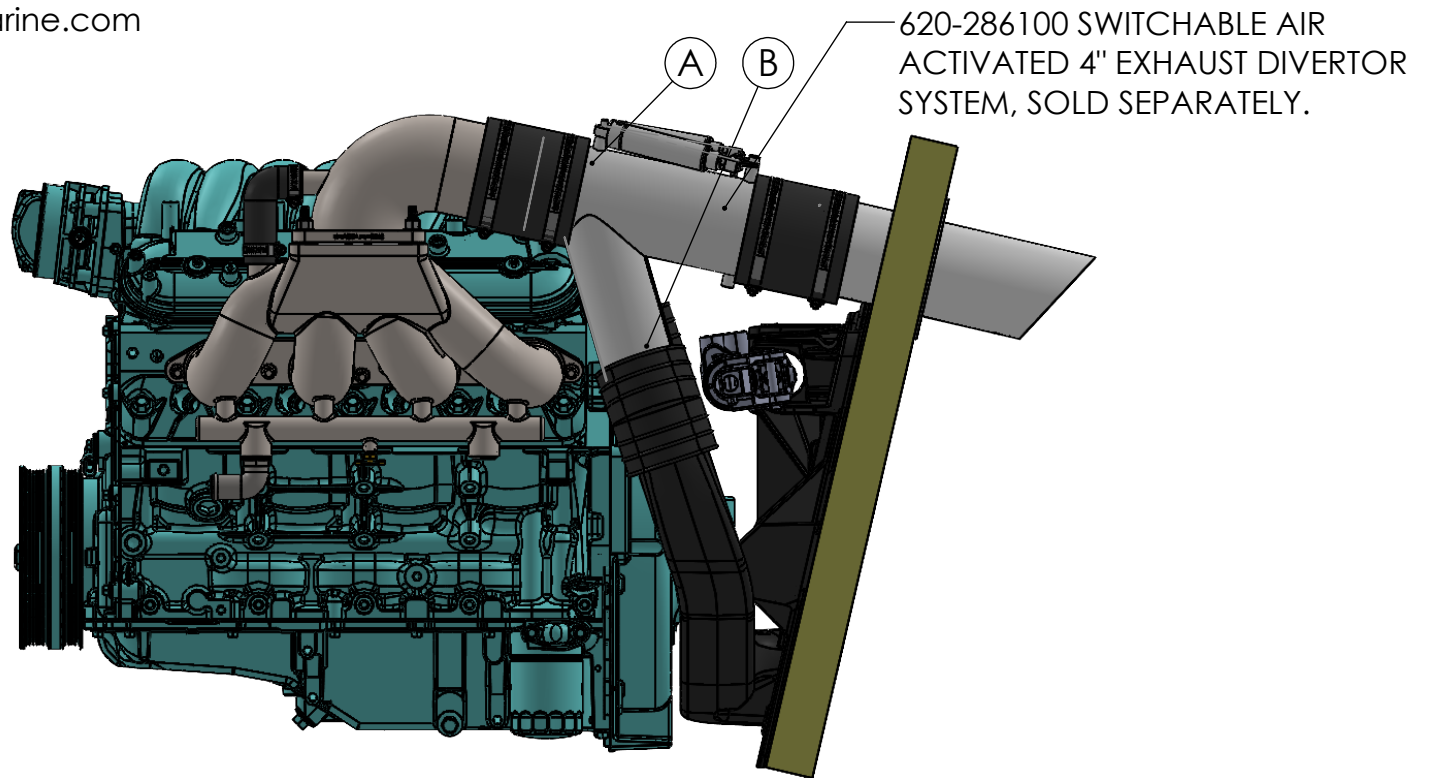
PART NO.

620-32573

TITLE:

LS CYCLONE WITH STD RISER AND SILENT CHOICE

www.hardin-marine.com



INSTALLATION INSTRUCTIONS:

- 1) YOU WILL NEED TO CUT BACK THE FRONT OF 620-286100, FIG. A AND THE LOWER EXTENSIONS FIG. B TO MAKE THIS KIT.
- 2) YOUR ORIGINAL UPPER AND LOWER EXHAUST BELLOWS CAN BE REUSED.
- 3) YOU WILL NEED TO PURCHASE 16' OF 100-200-4004 EXHAUST HOSE AND (4) 100-720-6372 HOSE CLAMPS TO COMPLETE THE INSTALLATION.

THIS DRAWING IS CONFIDENTIAL AND IS SUPPLIED ON EXPRESS CONDITION THAT IT SHALL NOT BE LENT, COPIED OR DISCLOSED TO ANY OTHER PERSON OR USED FOR ANY OTHER PURPOSE WITHOUT WRITTEN CONSENT OF HARDIN MARINE INC.. BREACH OF THIS CONTRACT WILL HOLD AND IT'S PRINCIPALS LIABLE FOR LOSS AND DAMAGES.

HARDIN
MARINE

11 Industry Dr. Palm Coast, FL 32137
386-445-2500 / FAX 386-445-1122

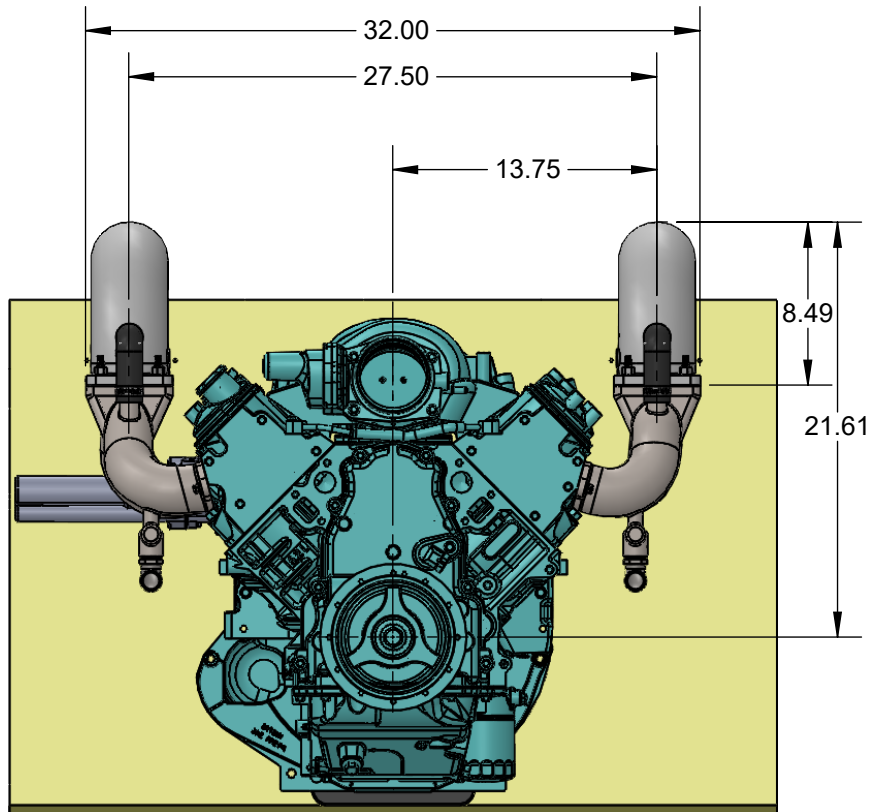
PART NO.

620-32574

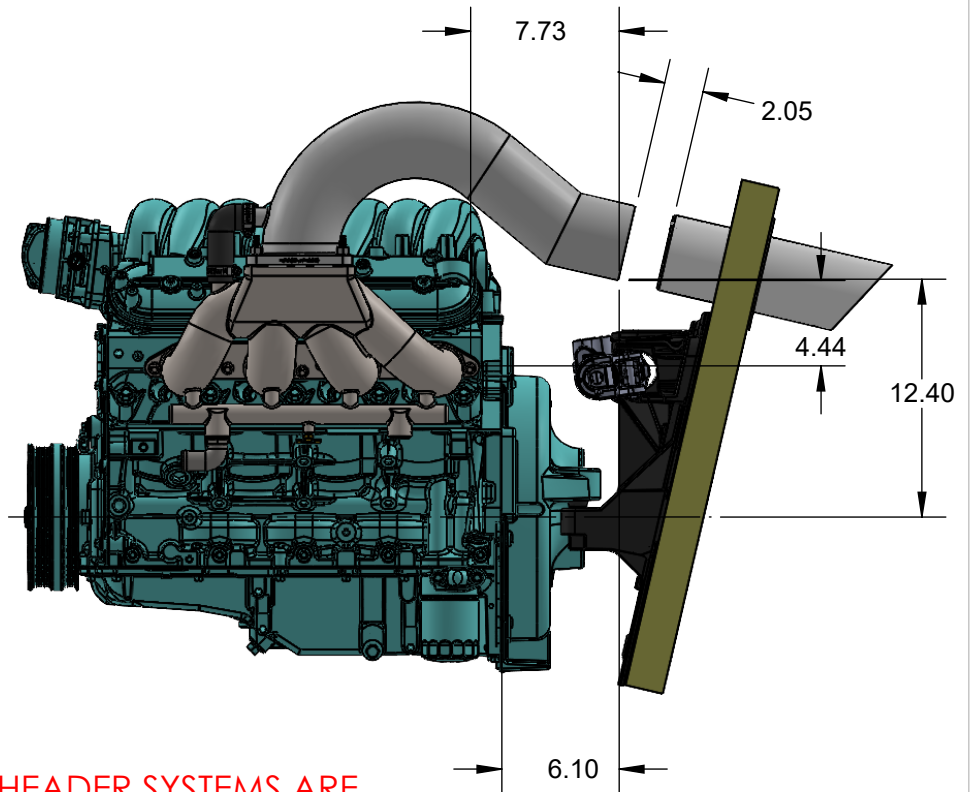
TITLE:

LS CYCLONE HEADER w/ 4" HP
BRAVO WET TAILPIPES

www.hardin-marine.com



EACH RISER HAS AN INBOARD O2 BUNG
INSTALLED. WILL NOT FIT GM LT ENGINE!



CAUTION HARDIN MARINE HEADER SYSTEMS ARE
DESIGNED FOR USE ON ENGINES WITH FULL TIME
CONSTANT WATER CIRCULATION AT ALL TIMES.**