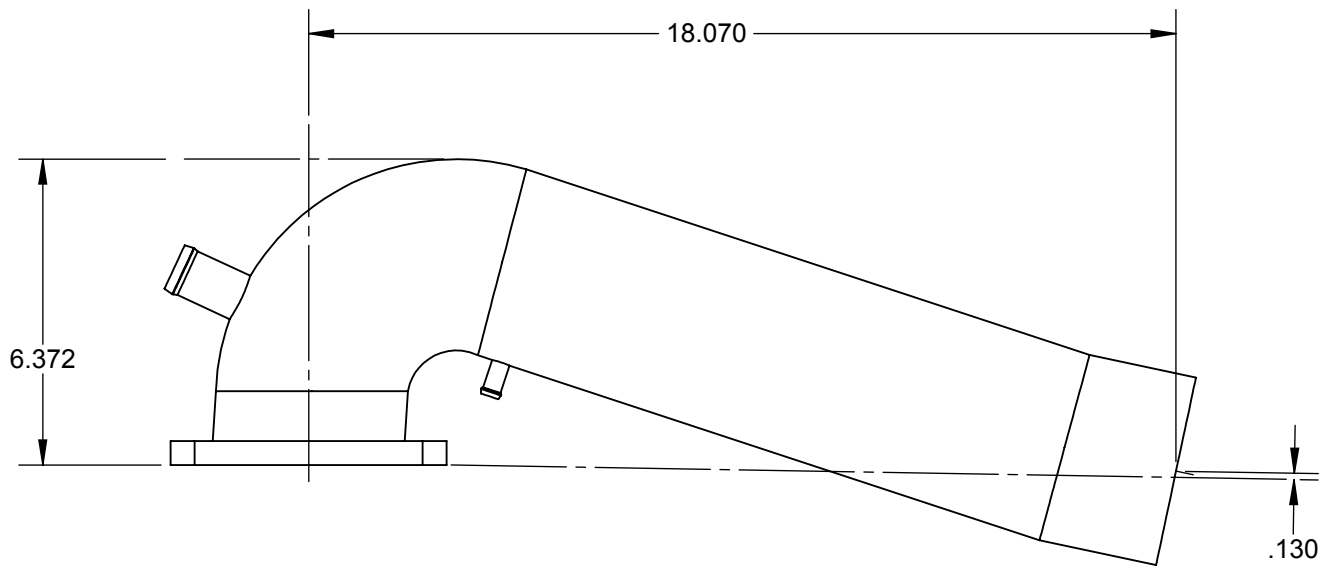


NOTE:
 1) BREAK ALL EDGES .02x45°, UNLESS NOTED.



THIS DRAWING IS CONFIDENTIAL AND IS SUPPLIED ON EXPRESS CONDITION THAT IT SHALL NOT BE LENT, COPIED OR DISCLOSED TO ANY OTHER PERSON OR USED FOR ANY OTHER PURPOSE WITHOUT WRITTEN CONSENT OF HARDIN MARINE INC.. BREACH OF THIS CONTRACT WILL HOLD AND IT'S PRINCIPALS LIABLE FOR LOSS AND DAMAGES.

UNLESS OTHERWISE SPECIFIED:		HARDIN MARINE		11 Industry Dr. Palm Coast, FL 32137 386-445-2500 / FAX 386-445-1122	
DIMENSIONS ARE IN INCHES		TITLE: STD BRAVO WET TAILPIPES			
TOLERANCES:		SIZE	DWG. NO.	PART NO.	REV
FRACTIONAL ±		A	620-32315	620-32315	
ANGULAR: MACH ± 2° BEND ±		SCALE: 1:4			
TWO PLACE DECIMAL ± .015		DRAWN BY: J.P.STULL			
THREE PLACE DECIMAL ± .005		DATE: 06/13/13			
MATERIAL					
316 STAINLESS					
FINISH					