

HARDIN 11 Industry Dr. Palm Coast, FL 32137
MARINE 386-445-2500 / FAX 386-445-1122

PART NO.

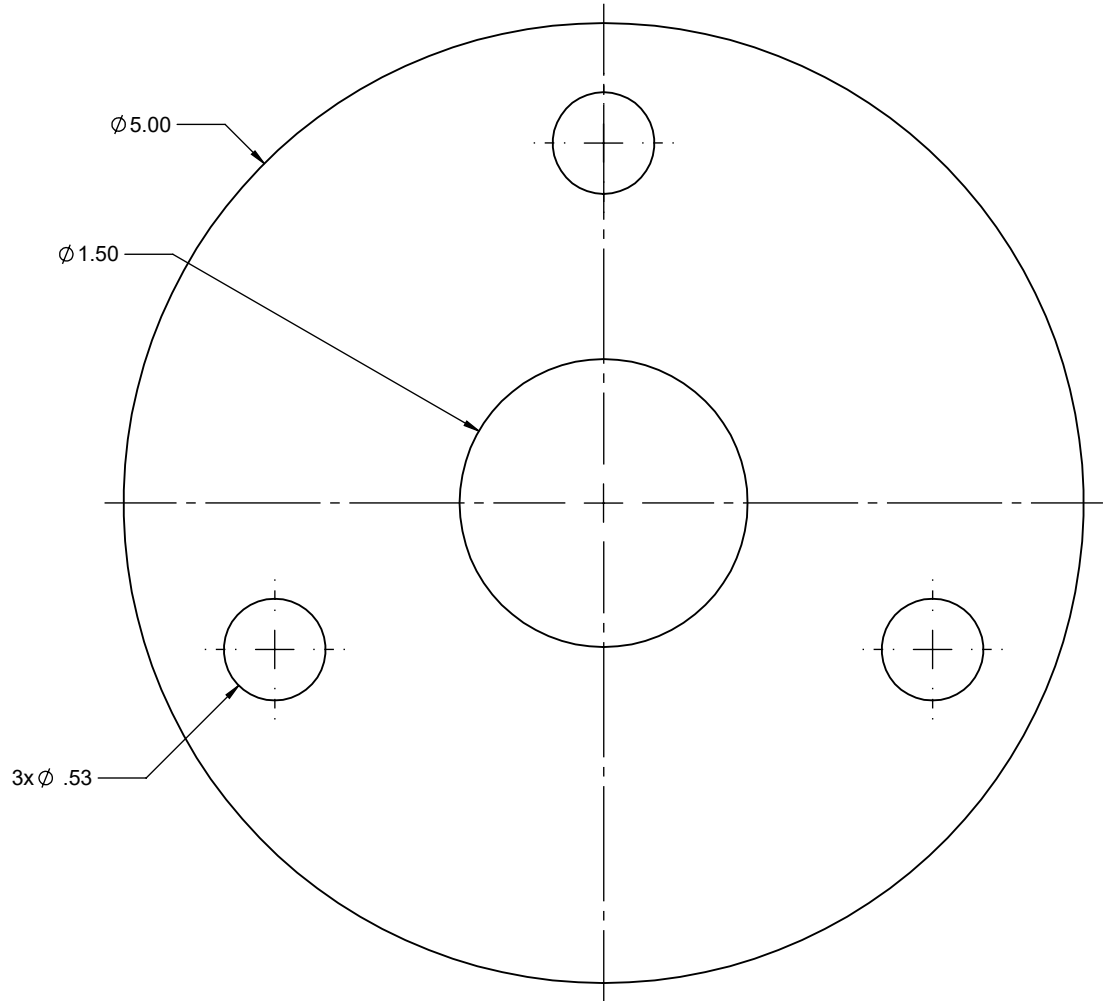
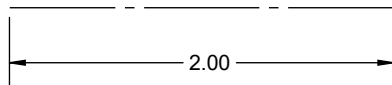
TITLE: MAYFAIR TILT STEERING COLUMN
DRILL TEMPLATE

www.hardin-marine.com

DRILL TEMPLATE USAGE:

- 1) MAKE SURE SCALE SIZE IS CORRECT.
- 2) 5" IS THE TILT HELM O.D..
- 3) TAPE TEMPLATE ON THE DASH.
- 4) USE A CENTER MARK TO MARK THE 4 HOLE LOCATION.
- 5) USE A 17/32 FOR THE 3 MOUNTING STUDS,
- 6) USE 1-1/2 HOLE SAW FOR CENTER,

THIS MUST BE PRINTED ON
FULL SCALE 1:1. MEASURE
THE BELOW LINE TO MAKE
SURE OF TEMPLATE SIZE.



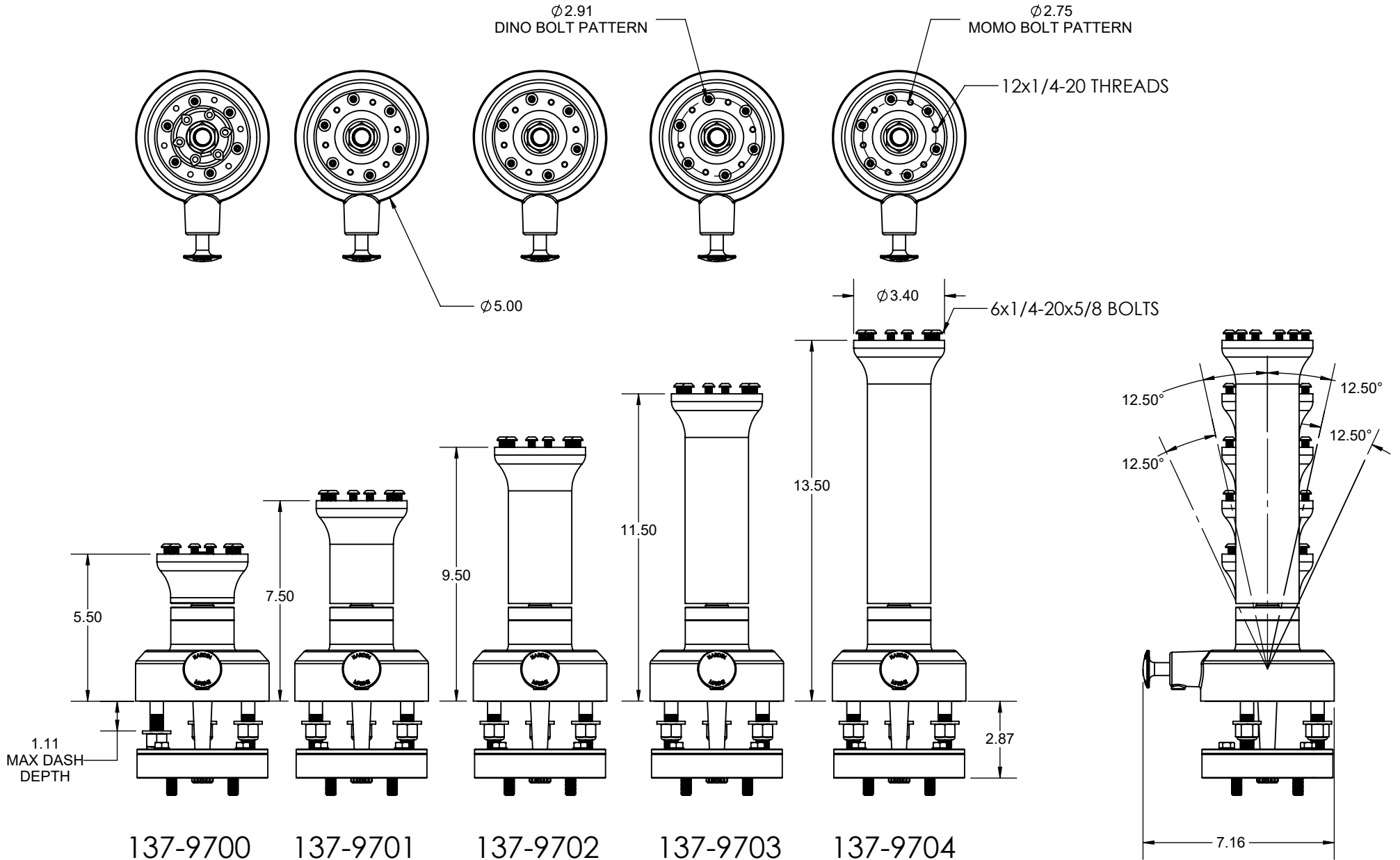
BOTTOM

HARDIN 11 Industry Dr. Palm Coast, FL 32137
MARINE 386-445-2500 / FAX 386-445-1122

PART NO.
137-970_

TITLE:
CHARLYNN TILT STEERING COLUMN SIZES

www.hardin-marine.com



THIS DRAWING IS CONFIDENTIAL AND IS SUPPLIED ON EXPRESS CONDITION THAT IT SHALL NOT BE LENT, COPIED OR DISCLOSED TO ANY OTHER PERSON OR USED FOR ANY OTHER PURPOSE WITHOUT WRITTEN CONSENT OF HARDIN MARINE INC.. BREACH OF THIS CONTRACT WILL HOLD AND IT'S PRINCIPALS LIABLE FOR LOSS AND DAMAGES.

HARDIN 11 Industry Dr. Palm Coast, FL 32137
MARINE 386-445-2500 / FAX 386-445-1122

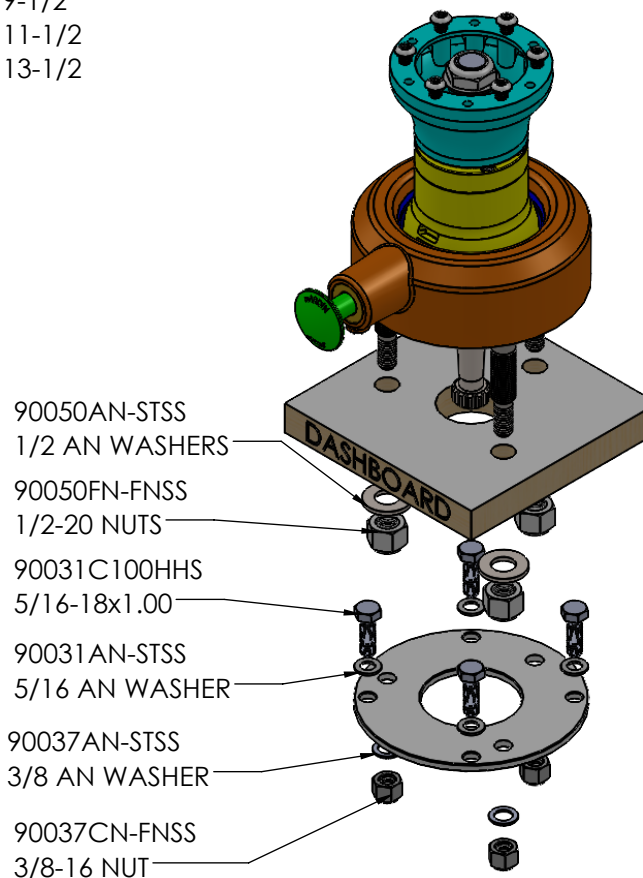
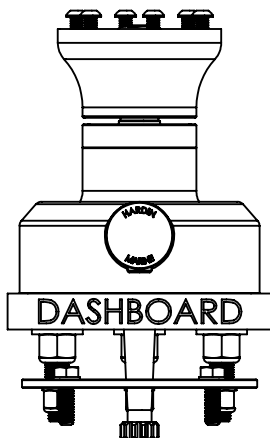
PART NO.
137-970_

TITLE: MAYFAIR CHARLYNN TILT STEERING
COLUMN INSTALLTION- STEP 1

www.hardin-marine.com

WHEEL ADAPTER LENGTHS:

137-9700: 5-1/2
137-9701: 7-1/2
137-9702: 9-1/2
137-9703: 11-1/2
137-9704: 13-1/2



INSTALLATION INSTRUCTIONS:

- 1) APPLY ANTI-SIEZE TO BOTH THE 1/2 AND 3/8 THREADS ON THE 3 STUDS
- 2) INSTALL HELM THROUGH THE DASH.
- 3) USING 5/8 WRENCH, INSTALL COLUMN TO THE DASH WITH THE 1/2 NUTS AND WASHERS.
- 4) SLIDE 5/16 BOLTS WANT WASHERS INTO THE STAINLESS ADAPTER RING.
- 5) SILDE STAINLESS ADAPTER RING OVER THE 3 STUDS,
- 6) USING 9/16 SOCKET TO INSTALL 3/8 NUTS AND WASHERS. TORQUE TO 30 FT. LBS..

HARDIN 11 Industry Dr. Palm Coast, FL 32137
MARINE 386-445-2500 / FAX 386-445-1122

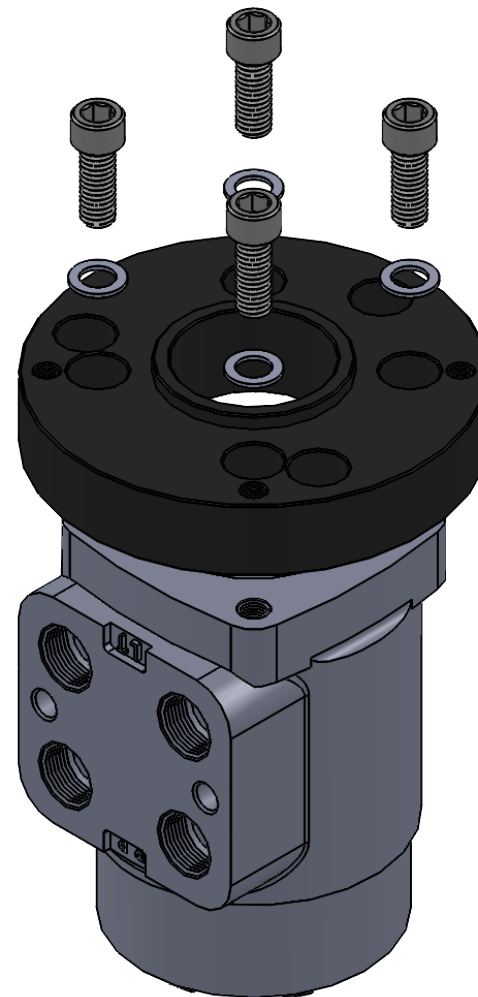
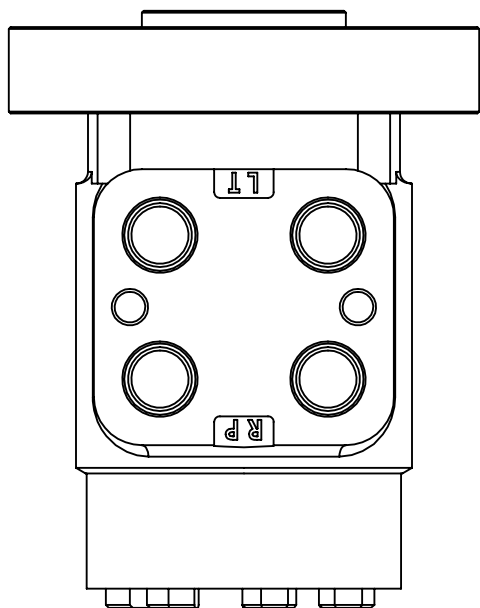
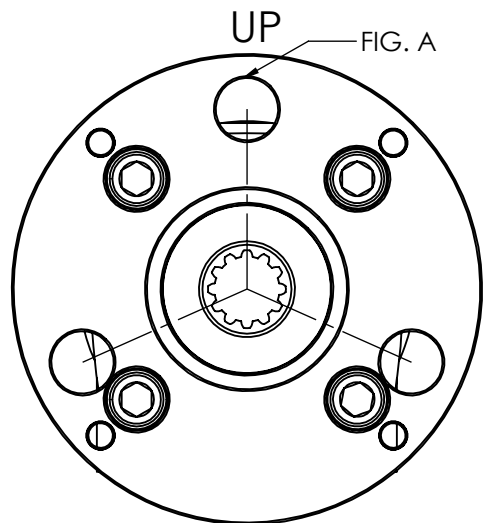
PART NO.
137-970_

TITLE: MAYFAIR CHARLYNN TILT STEERING
COLUMN INSTALLTION- STEP 2

www.hardin-marine.com

WHEEL ADAPTER LENGTHS:

137-9700: 5-1/2
137-9701: 7-1/2
137-9702: 9-1/2
137-9703: 11-1/2
137-9704: 13-1/2



INSTALLATION INSTRUCTIONS:

- 1) SEE FIG. A. THE UPPER ADAPTER ONLY GOES ON THE TILT HLEM ONE WAY. THE CHARLYNN HELM CAN BE ROTATED EVERY 90°.
- 2) APPLY RED LOCTITE TO THE 3/8-16 BOLTS.
- 3) INSTALL ADAPTER TO THE HELM WITH THE BOLTS AND WASHERS USING 5/16 HELM SOCKET. TORQUE TO 30 FT. LBS..

HARDIN 11 Industry Dr. Palm Coast, FL 32137
MARINE 386-445-2500 / FAX 386-445-1122

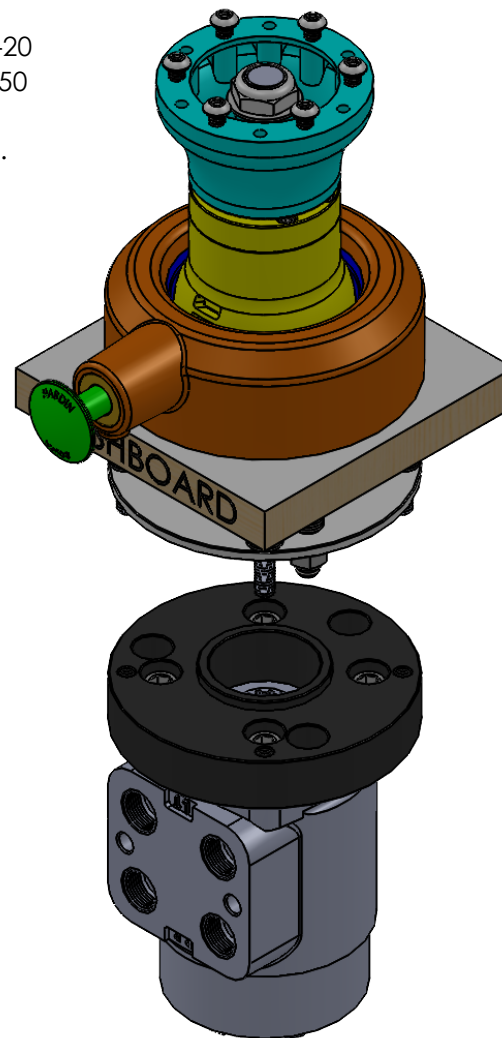
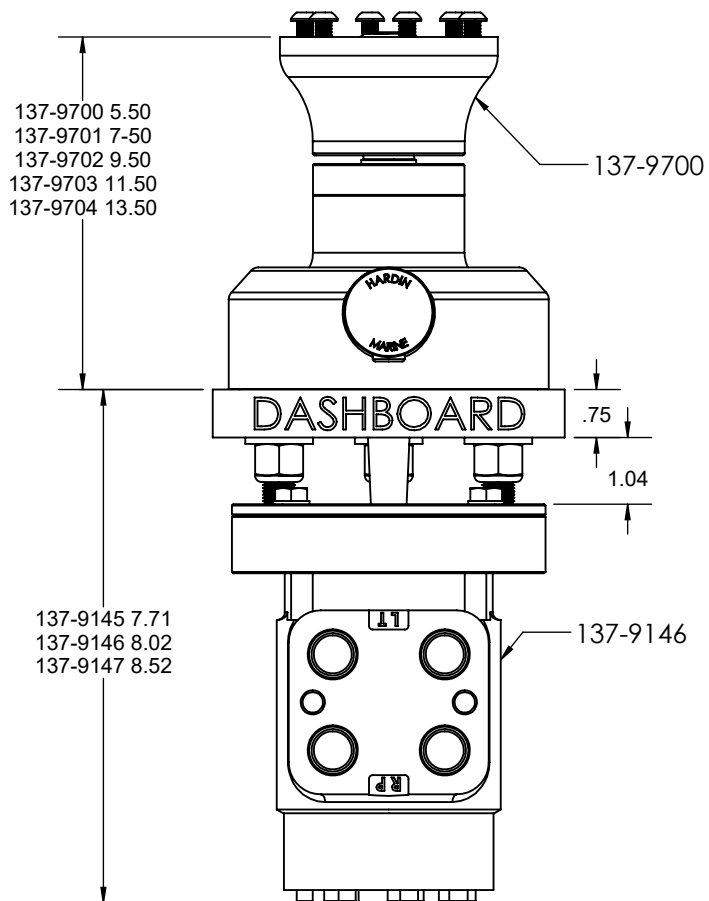
PART NO.
137-970_

TITLE: MAYFAIR CHARLYNN TILT STEERING
COLUMN INSTALLTION- STEP 3

www.hardin-marine.com

NOTES:

- 1) WHEEL ADAPTERS ARE THREAD 1/4-20 IN BOTH DINO ϕ 2.91 & MOMO ϕ 2.750 BOLT PATTERNS.
- 2) SUPPLIED WITH (6) 1/4-20x5/8 BOLTS.
- 3) TILT MOVES 12.5° AND 25° IN BOTH DIRECTIONS.



INSTALLATION INSTRUCTIONS:

- 1) APPLY RED LOCTITE TO THE 5/16 BOLTS.
- 2) INSTALL HELM AND ADAPTER USING 1/2 WRENCH.