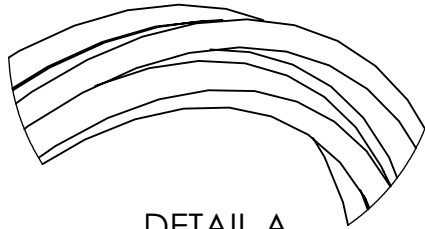


HARDIN MARINE 11 Industry Dr. Palm Coast, FL 32137  
386-445-2500 / FAX 386-445-1122

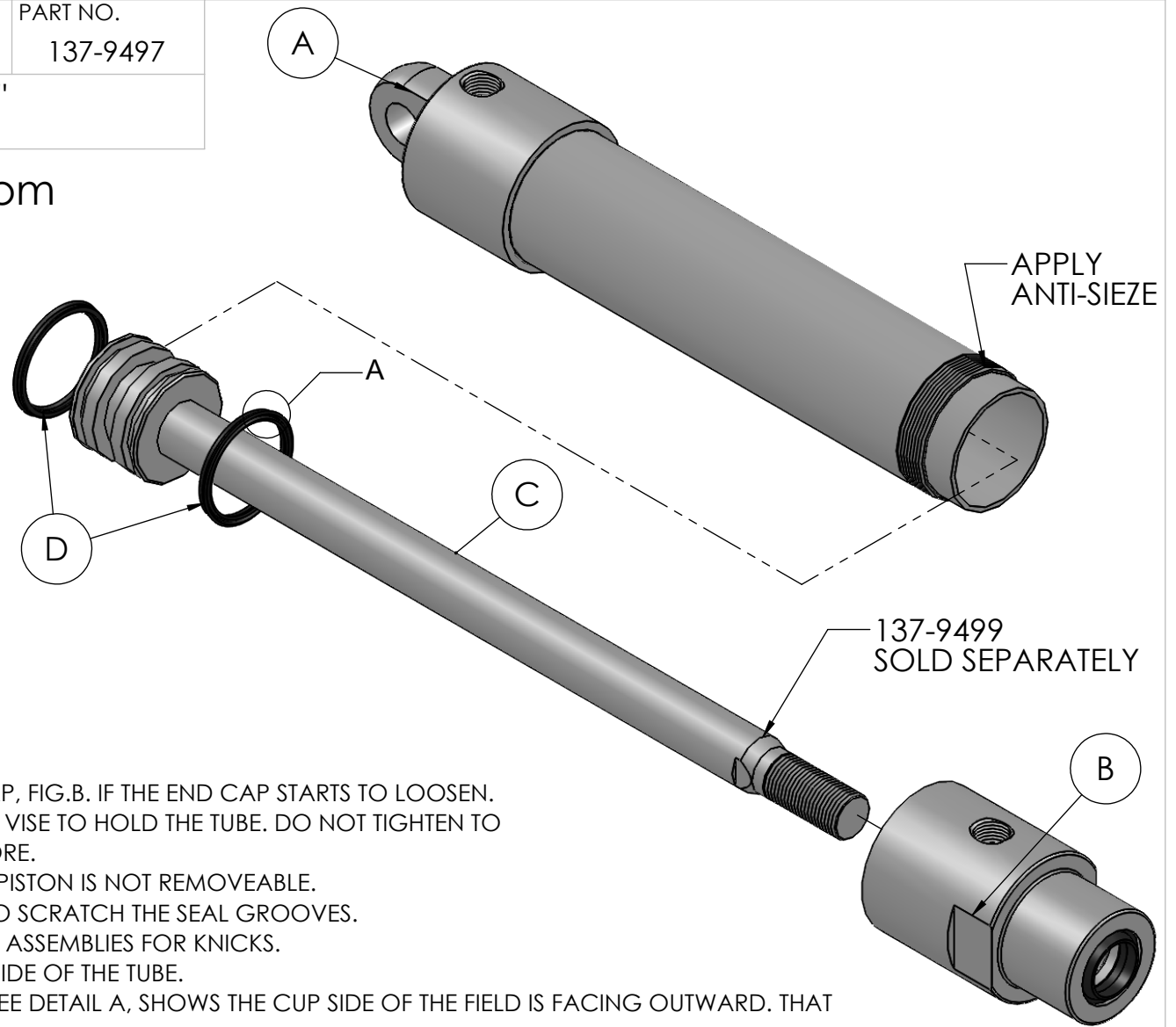
PART NO.  
137-9497

TITLE:  
REPLACEMENT HEAD FOR 7"  
MAYFAIR STEERING RAM

www.hardin-marine.com



DETAIL A  
SCALE 4 : 1



#### INSTALLATION INSTRUCTIONS:

- 1) HOLD THE CAP END IN A VISE, FIG. A.
- 2) USING A 1-3/4 WRENCH REMOVE THE THE CAP, FIG.B. IF THE END CAP STARTS TO LOOSEN. JUST TIGHTEN IT BACK UP. USE PIPE WRENCH OR VISE TO HOLD THE TUBE. DO NOT TIGHTEN TO MUCH SO YOU DO NOT COLLAPSE THE RAM BORE.
- 3) SLIDE OUT THE ROD AND PISTON, FIG. C. THE PISTON IS NOT REMOVEABLE.
- 4) REMOVE THE 2 OIL SEALS, BE CAREFUL NOT TO SCRATCH THE SEAL GROOVES.
- 5) CLEAN ALL PARTS. INSPECT ROD AND PISTON ASSEMBLIES FOR KNICKS.
- 6) USE POWER STEERING FLUID TO COAT THE INSIDE OF THE TUBE.
- 7) INSTALL NEW SEALS, FIG. D, ON THE PISTON. SEE DETAIL A, SHOWS THE CUP SIDE OF THE FIELD IS FACING OUTWARD. THAT IS THE SAME OF THE OTHER SIDE.
- 8) WRAP THE RED SHIM PAPER AROUND THE PISTON SEALS AND INSTALL ROD AND PISTON INTO THE RAM. ONCE INSIDE THROW AWAY THE SHIM.
- 9) THIS NEW HEAD HAS NEW SEALS AND O-RING ALL READY INSTALL. COAT WITH POWER STEERING FLUID AND SLIDE OVER THE RAM.
- 10) APPLY ANTI-SIEZE TO THE TUBE THREADS. SCREW ON THE HEAD AND TIGHTEN.
- 11) **BEFORE INSTALLING THE CYLINDER BACK INTO SERVICE THOROUGHLY TEST IT TO BE SURE IT FUNCTIONS PROPERLY AND THAT THERE IS NO LEAKAGE PAST ANY OF THE SEALS.**

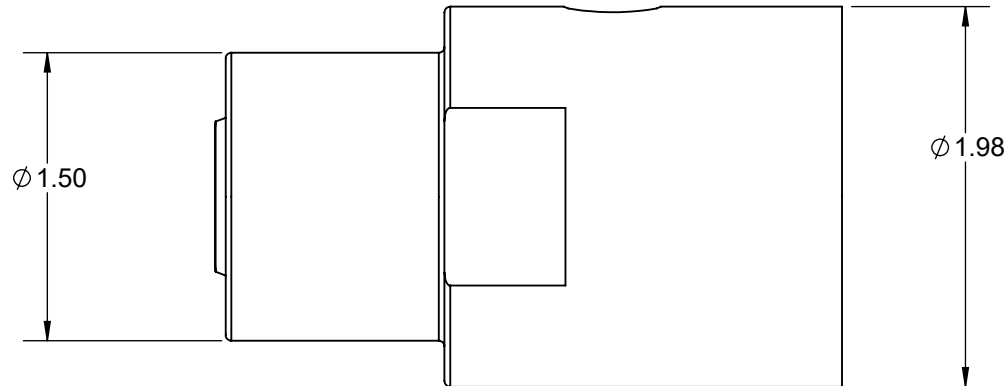
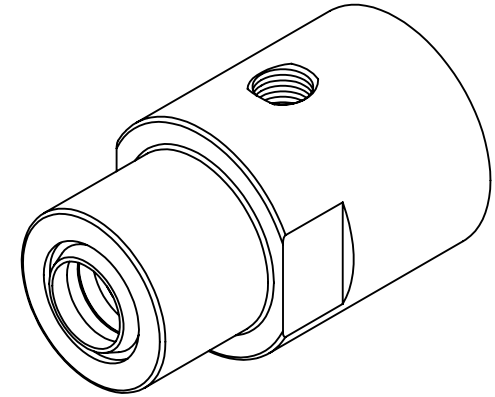
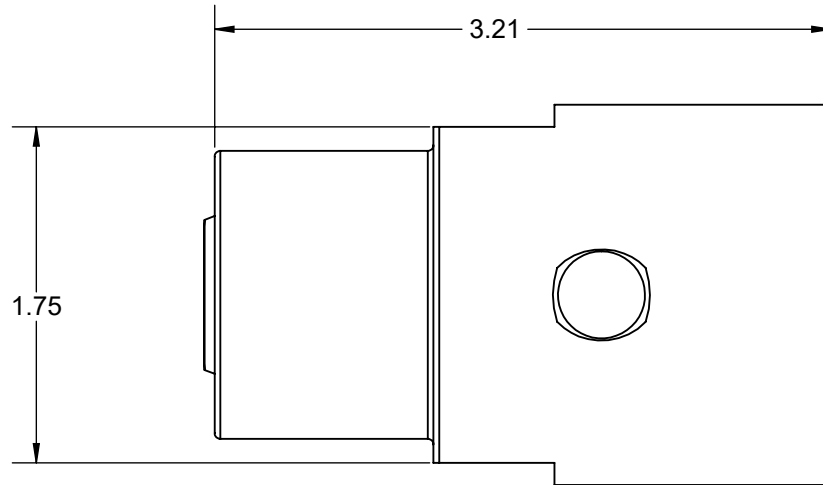
THIS DRAWING IS CONFIDENTIAL AND IS SUPPLIED ON EXPRESS CONDITION THAT IT SHALL NOT BE LENT, COPIED OR DISCLOSED TO ANY OTHER PERSON OR USED FOR ANY OTHER PURPOSE WITHOUT WRITTEN CONSENT OF HARDIN MARINE INC.. BREACH OF THIS CONTRACT WILL HOLD ..... AND IT'S PRINCIPALS LIABLE FOR LOSS AND DAMAGES.

HARDIN MARINE 11 Industry Dr. Palm Coast, FL 32137  
386-445-2500 / FAX 386-445-1122

PART NO.  
137-9497

TITLE: REPLACEMENT HEAD FOR 7"  
MAYFAIR STEERING RAM

[www.hardin-marine.com](http://www.hardin-marine.com)



THIS DRAWING IS CONFIDENTIAL AND IS SUPPLIED ON EXPRESS CONDITION THAT IT SHALL NOT BE LENT, COPIED OR DISCLOSED TO ANY OTHER PERSON OR USED FOR ANY OTHER PURPOSE WITHOUT WRITTEN CONSENT OF HARDIN MARINE INC.. BREACH OF THIS CONTRACT WILL HOLD ..... AND IT'S PRINCIPALS LIABLE FOR LOSS AND DAMAGES.