

HARDIN
MARINE

11 Industry Dr. Palm Coast, FL 32137
386-445-2500 / FAX 386-445-1122

PART NO.

137-9105

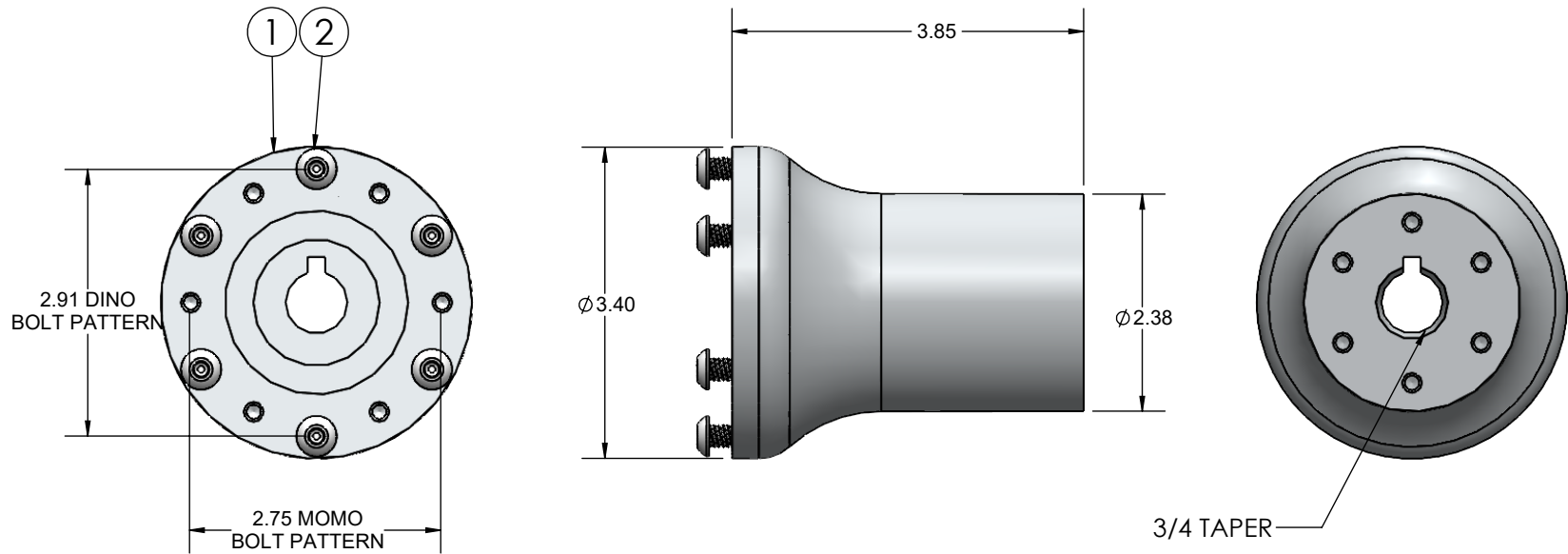
ITEM NO.	PART NUMBER	DESCRIPTION	QTY.
1	137-9105K	ADAPTER, WHEEL 6"	1
2	90025C062BHS	BOLT, BHCS, 1/4-20x.625	6

TITLE:

6" WHEEL ADAPTER

www.hardin-marine.com

COMES WITH 137-9121 STEERING COLUMN. WHEN INSTALLED WITH 1" THICK DASHBOARD, THE STEERING WHEEL MOUNTING FACE IS 6" FROM DASHBOARD.



THIS DRAWING IS CONFIDENTIAL AND IS SUPPLIED ON EXPRESS CONDITION THAT IT SHALL NOT BE LENT, COPIED OR DISCLOSED TO ANY OTHER PERSON OR USED FOR ANY OTHER PURPOSE WITHOUT WRITTEN CONSENT OF HARDIN MARINE INC.. BREACH OF THIS CONTRACT WILL HOLD AND IT'S PRINCIPALS LIABLE FOR LOSS AND DAMAGES.