

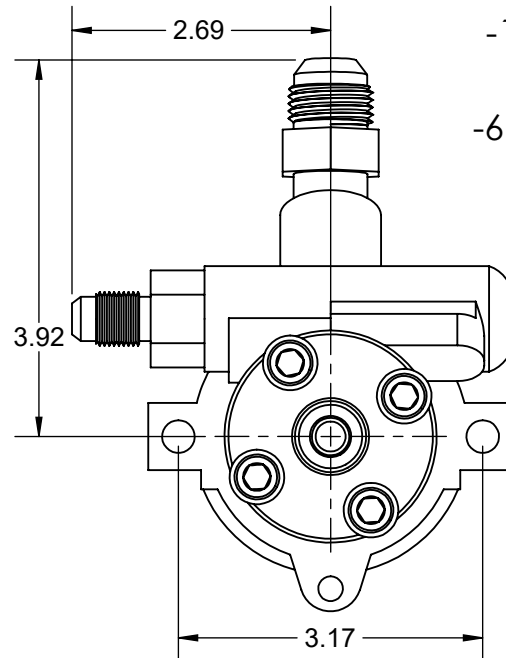
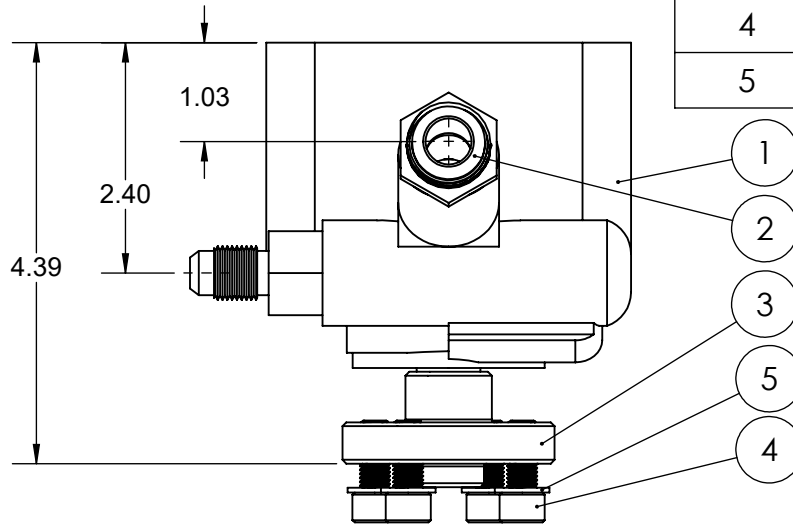
HARDIN MARINE 11 Industry Dr. Palm Coast, FL 32137  
386-445-2500 / FAX 386-445-1122

PART NO.  
135-20001

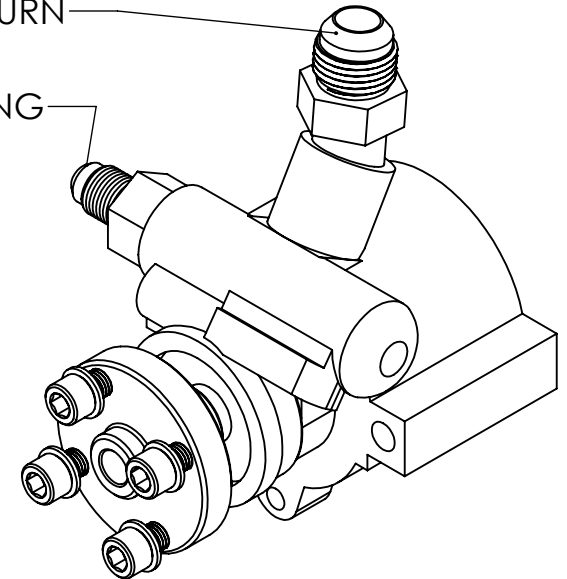
TITLE: CROSSOVER MOUNT POWER STEERING PUMP w/ HUB

www.hardin-marine.com

ITEM NO.	PART NUMBER	DESCRIPTION	QTY.
1	135-20001	POWER STEERING PUMP	1
2	135-20004	FITTING, INLET	1
3	625-8107	HUB, POWER STEERING PUMP	1
4	90031F075SHS	BOLT, SHCS, 5/16-24x.75	4
5	90031AN-STSS	WASHER, 5/16 AN	4



-10AN LOW PRESSURE RETURN  
-6 JIC HIGH PRESSURE FITTING



THIS DRAWING IS CONFIDENTIAL AND IS SUPPLIED ON EXPRESS CONDITION THAT IT SHALL NOT BE LENT, COPIED OR DISCLOSED TO ANY OTHER PERSON OR USED FOR ANY OTHER PURPOSE WITHOUT WRITTEN CONSENT OF HARDIN MARINE INC.. BREACH OF THIS CONTRACT WILL HOLD ..... AND IT'S PRINCIPALS LIABLE FOR LOSS AND DAMAGES.