

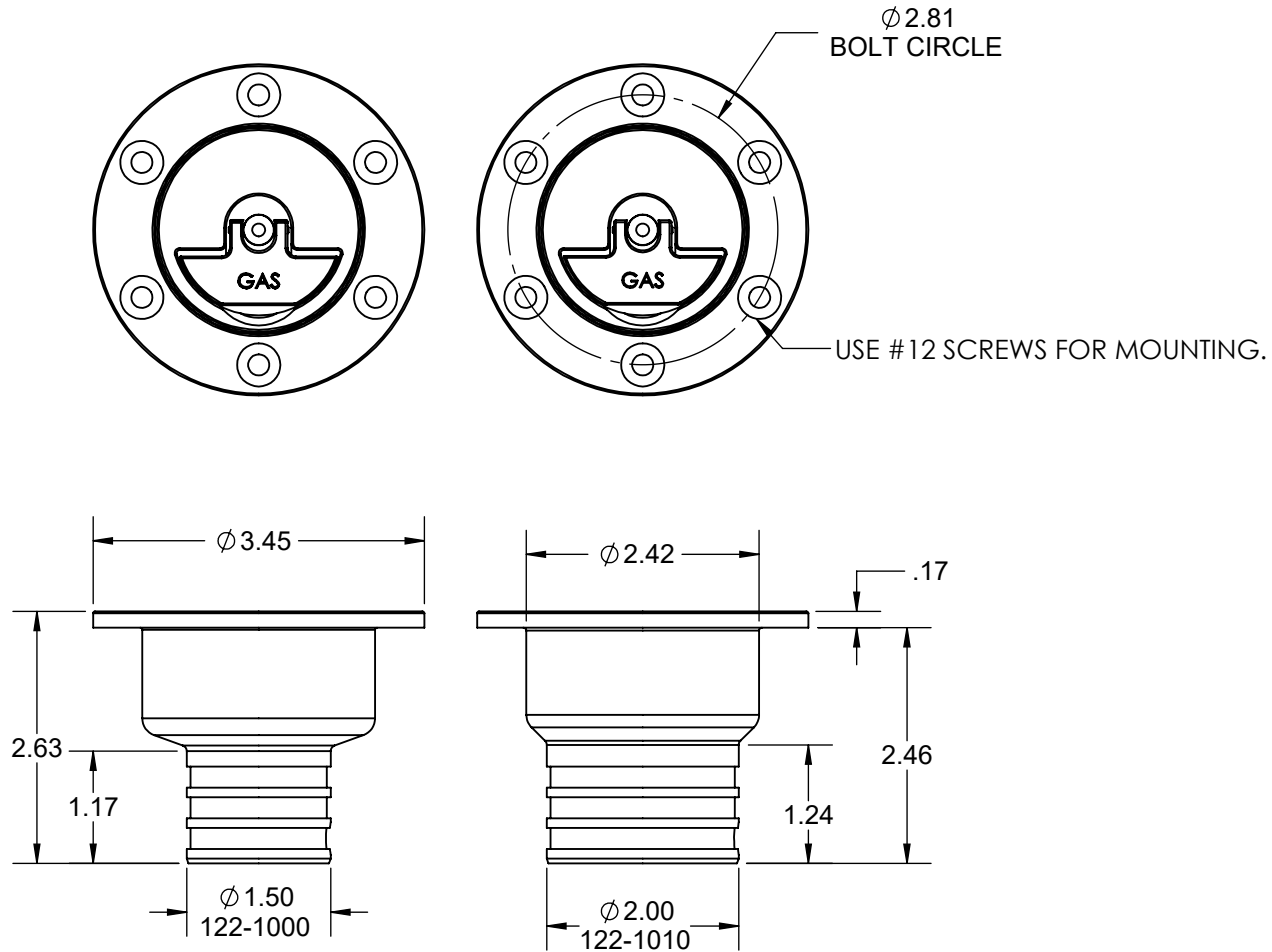
HARDIN MARINE 11 Industry Dr. Palm Coast, FL 32137
386-445-2500 / FAX 386-445-1122

PART NO.
122-10XX

TITLE:

CAM LOCK FUEL FILL DIMENSIONS

www.hardin-marine.com



THIS DRAWING IS CONFIDENTIAL AND IS SUPPLIED ON EXPRESS CONDITION THAT IT SHALL NOT BE LENT, COPIED OR DISCLOSED TO ANY OTHER PERSON OR USED FOR ANY OTHER PURPOSE WITHOUT WRITTEN CONSENT OF HARDIN MARINE INC.. BREACH OF THIS CONTRACT WILL HOLD AND IT'S PRINCIPALS LIABLE FOR LOSS AND DAMAGES.

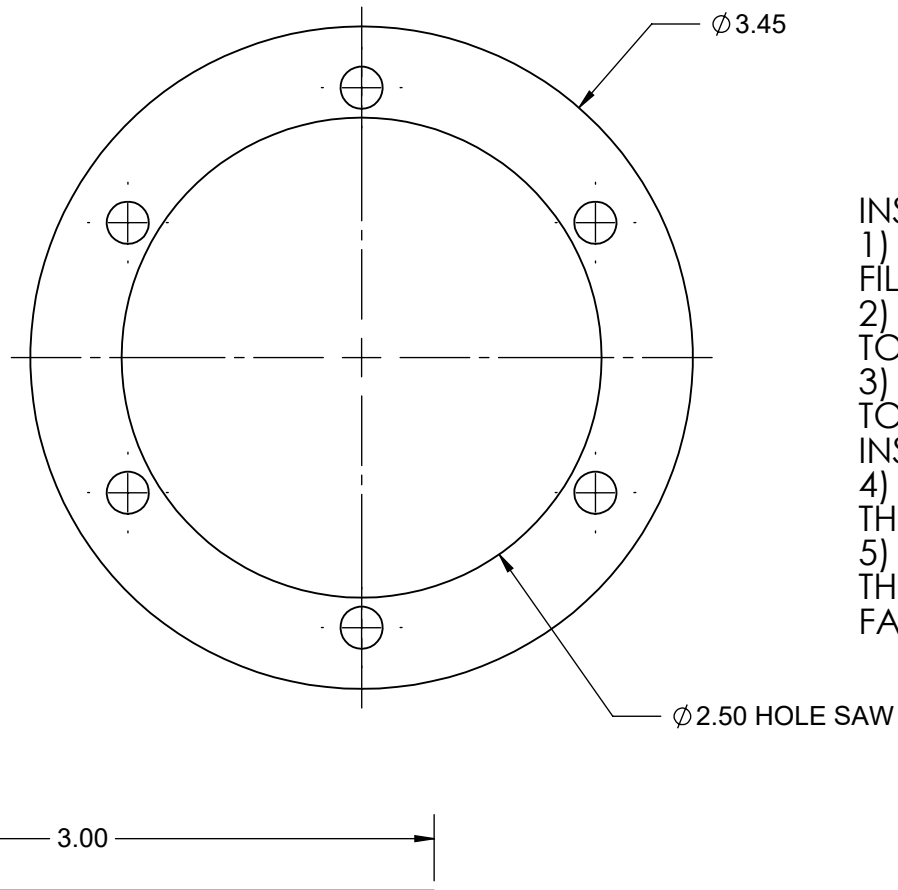
HARDIN MARINE 11 Industry Dr. Palm Coast, FL 32137
386-445-2500 / FAX 386-445-1122

PART NO.
122-10XX

TITLE:

CAM LOCK FUEL FILL DRILL TEMPLATE

www.hardin-marine.com



INSTRUCTIONS:

- 1) FOR BOTH 1-1/2 & 2" FUEL FILLS.
- 2) MAKE SURE PRINTER IS SET TO PRINT 1:1.
- 3) CUTOUT TEMPLTE AND TAPE TO WERE THE FUEL FILL WILL BE INSTALLED.
- 4) USE 2-1/2 HOLE SAW FOR THE CENTER.
- 5) DRILL THE 6 BOLT HOLES TO THE SIZE NEEDED FOR THE FASTENER YOU ARE USING.

CHECK YOUR SCALE THIS ABOVE LINE SHOULD MEASURE 3"