

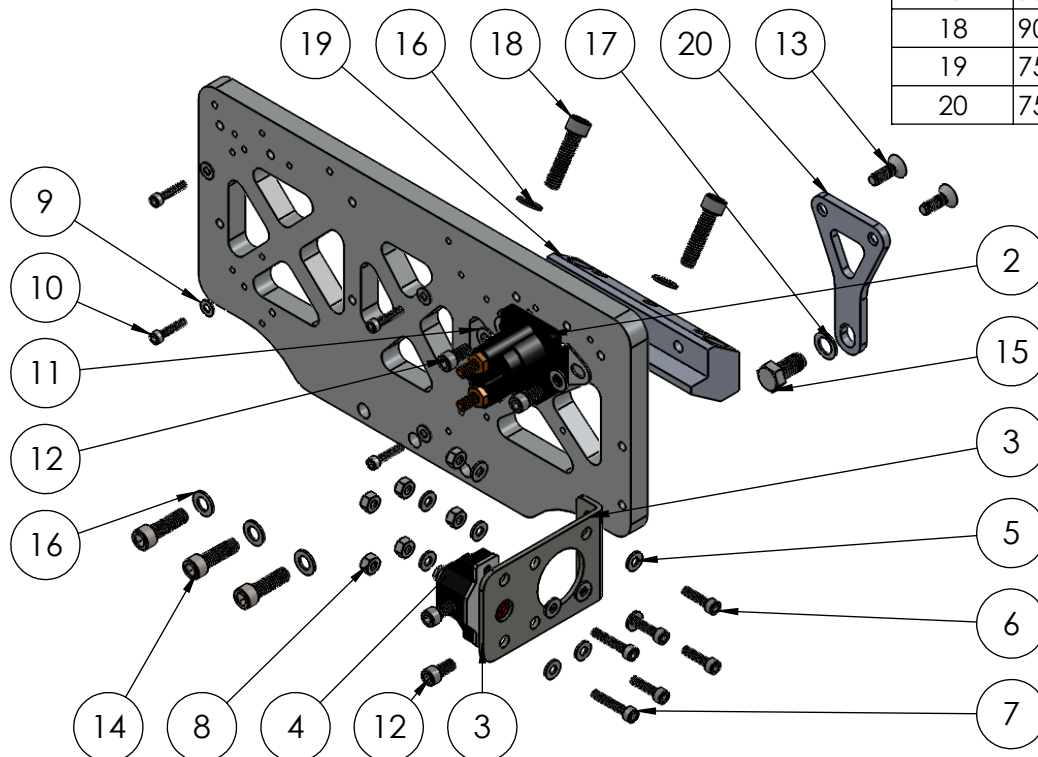
**HARDIN MARINE** 11 Industry Dr. Palm Coast, FL 32137  
386-445-2500 / FAX 386-445-1122

PART NO.  
**755-3558**

TITLE: **BRAVO OIL COOLER IGNITION BRACKET - PARTS BREAKDOWN**

[www.hardin-marine.com](http://www.hardin-marine.com)

ITEM NO.	PART NUMBER	DESCRIPTION	QTY.
1	755-3534	BRACKET, IGNITION BRAVO COOLER	1
2	137-8081	RELAY, VERTICAL POSTIVE	1
3	755-3507	BRACKET, CANNON PLUG	1
4	755-3514	BREAKER, 50 AMP	1
5	90010AN-STSS	WASHER, #10 AN	10
6	90010C075SHS	BOLT,10-24 x .75	4
7	90010C100SHS	BOLT,10-24 x 1.00	2
8	90010CN-FNSS	NUT, 10-24	6
9	90008AN-STSS	WASHER, #8 AN	4
10	90008C075SHS	BOLT, 8-32 x .75	4
11	90025AN-STSS	WASHER, 1/4 AN	2
12	90025C050SHS	BOLT,1/4-20 x .50	4
13	90025C075SFS	BOLT, 1/4-20 x .75	2
14	90031C100SHS	BOLT, 5/16-18 x 1.00	3
15	90037C075HHS	BOLT, 3/8-16 x .75	1
16	90031AN-STSS	WASHER, 5/16 AN	5
17	90037AN-STSS	WASHER, 3/8 AN	1
18	90031C125SHS	BOLT, 5/16-18 x 1.25	2
19	755-3535	BASE, BRAVO COOLER IGNITION BRKT	1
20	755-3536	SUPPORT, BRAVO COOLER IGNITION BRKT	1



THIS DRAWING IS CONFIDENTIAL AND IS SUPPLIED ON EXPRESS CONDITION THAT IT SHALL NOT BE LENT, COPIED OR DISCLOSED TO ANY OTHER PERSON OR USED FOR ANY OTHER PURPOSE WITHOUT WRITTEN CONSENT OF HARDIN MARINE INC.. BREACH OF THIS CONTRACT WILL HOLD ..... AND IT'S PRINCIPALS LIABLE FOR LOSS AND DAMAGES.

HARDIN  
MARINE

11 Industry Dr. Palm Coast, FL 32137  
386-445-2500 / FAX 386-445-1122

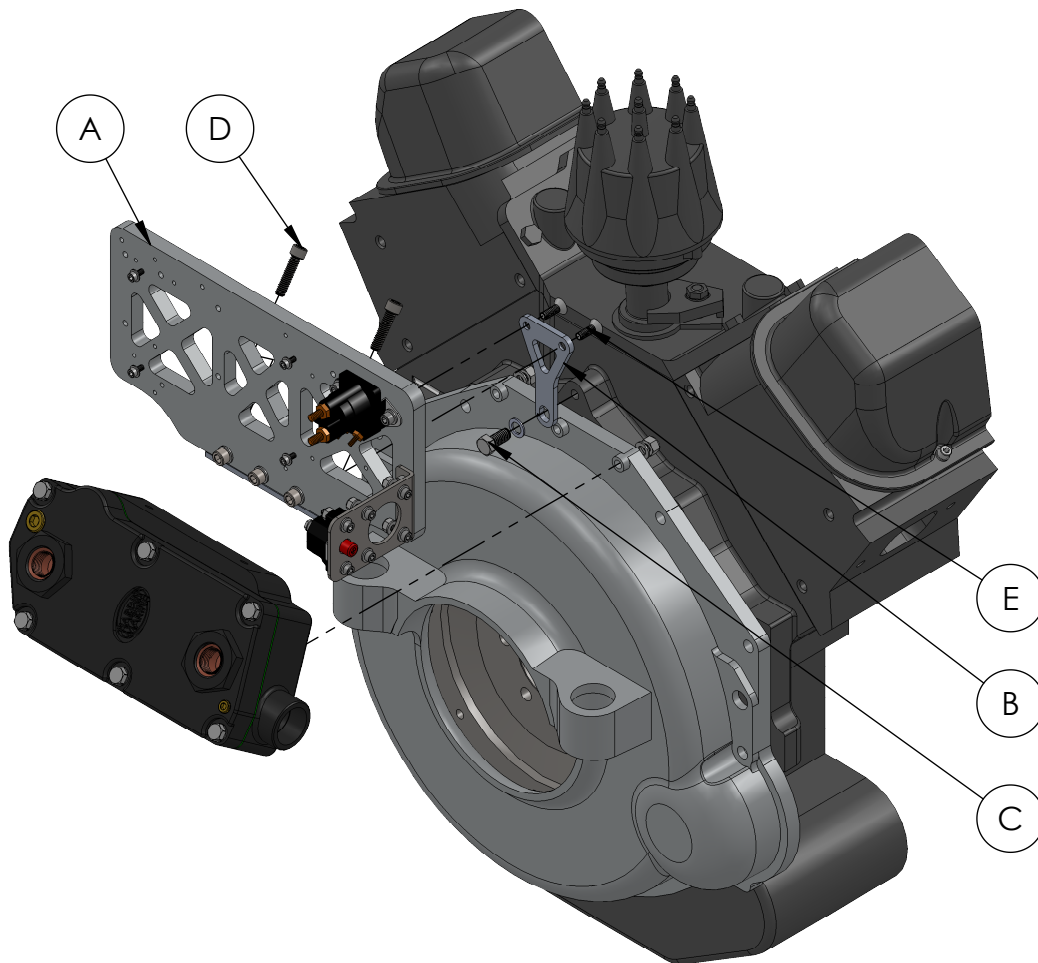
PART NO.

755-3558

TITLE:

## BRAVO COOLER IGNITION BRACKET ASSEMBLY

www.hardin-marine.com



### INSTALLATION INSTRUCTIONS:

- 1) 755-3558 COMES PREASSEMBLED AS SHOWN BY FIG. A.
- 2) IF POSSIBLE IT IS THE EASIEST TO INSTALL WITH COOLER HOUSING OFF THE ENGINE.
- 3) INSTALL BRACKET 755-3536, FIG. B, TO THE CENTER BOLT HOLE IN THE BELLHOUSING USING 90037C075SHS BOLT & 90037AN-STSS WASHER, FIG. C. DO NOT TIGHTEN.
- 4) APPLY RED LOCTITE TO 90031C125SHS BOLTS, FIG. D.
- 5) INTALL IGNITION BRACKET TO COOLER HOUSING USING 1/4 ALLEN SOCKET AND THE 90031C125SHS BOLTS. DO NOT TIGHTEN.
- 6) INSTALL COOLER HOUSING TO THE BELLHOUSING. TORQUE THE NUTS 90031CN-FNSSTO 20 FT. LBS..
- 7) APPLY RED LOCTITE TO THE 90025C075SFS BOLTS FIG. E.
- 8) INSTALL BOLTS THROUGH 755-3556 BRACKET INTO THE PROCEEDING HOLES IN THE BACK OF THE IGNITION BRACKET. USING 5/32 ALLEN SOCKET, TORQUE TO 80 IN. LBS..
- 9) NOW TIGTHEN 90031C125SHS BOLTS USING 1/4 ALLEN SOCKET TO 20 FT. LBS..
- 10) NOW TORQUE 90037C075HHS BOLT USING 9/16 SOCKET TO 30 FT. LBS..

HARDIN  
MARINE

11 Industry Dr. Palm Coast, FL 32137  
386-445-2500 / FAX 386-445-1122

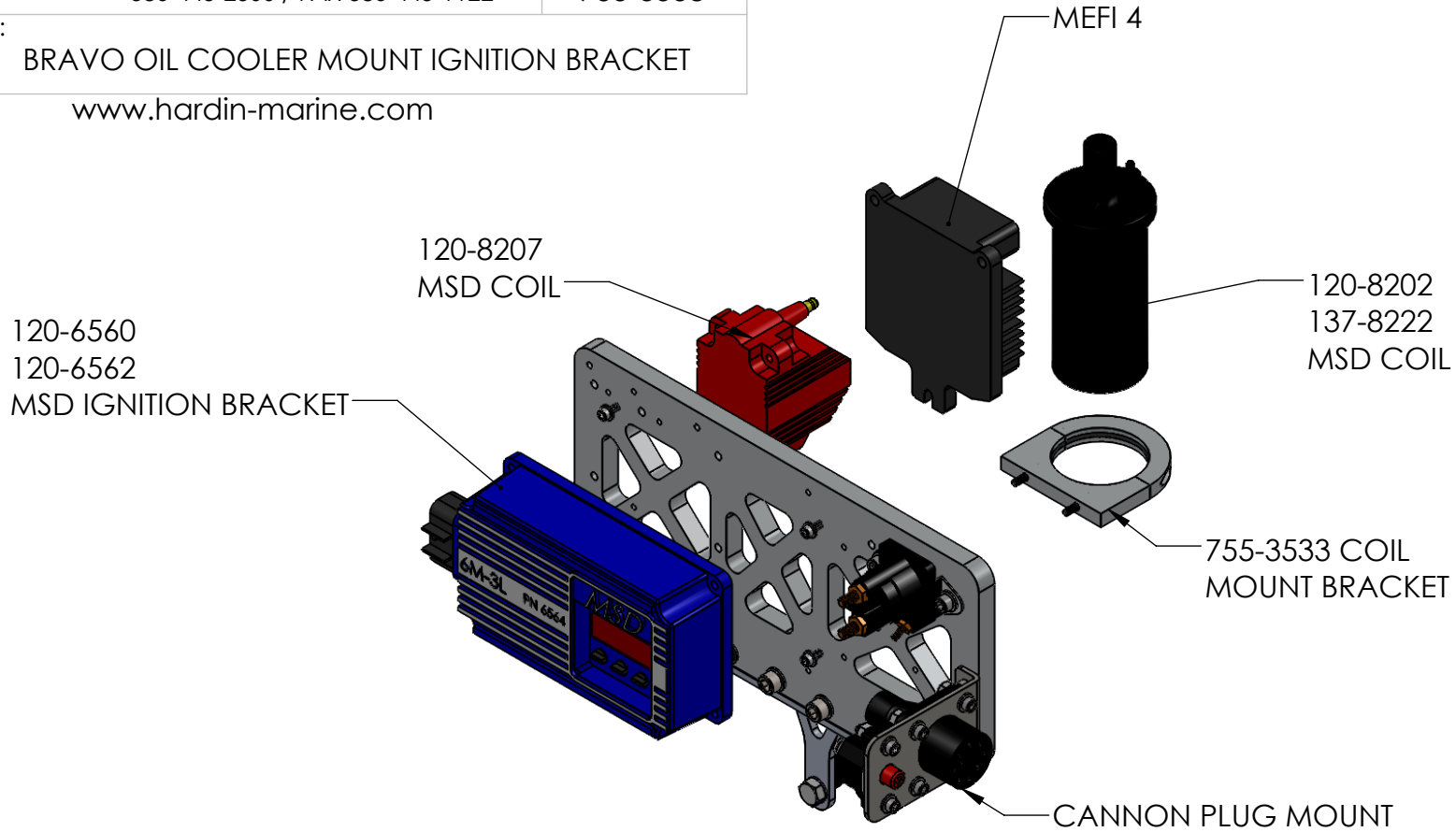
PART NO.

755-3558

TITLE:

BRAVO OIL COOLER MOUNT IGNITION BRACKET

[www.hardin-marine.com](http://www.hardin-marine.com)



THESE ARE THE PARTS THAT CAN MOUNT TO THE BRACKET

HARDIN  
MARINE

11 Industry Dr. Palm Coast, FL 32137  
386-445-2500 / FAX 386-445-1122

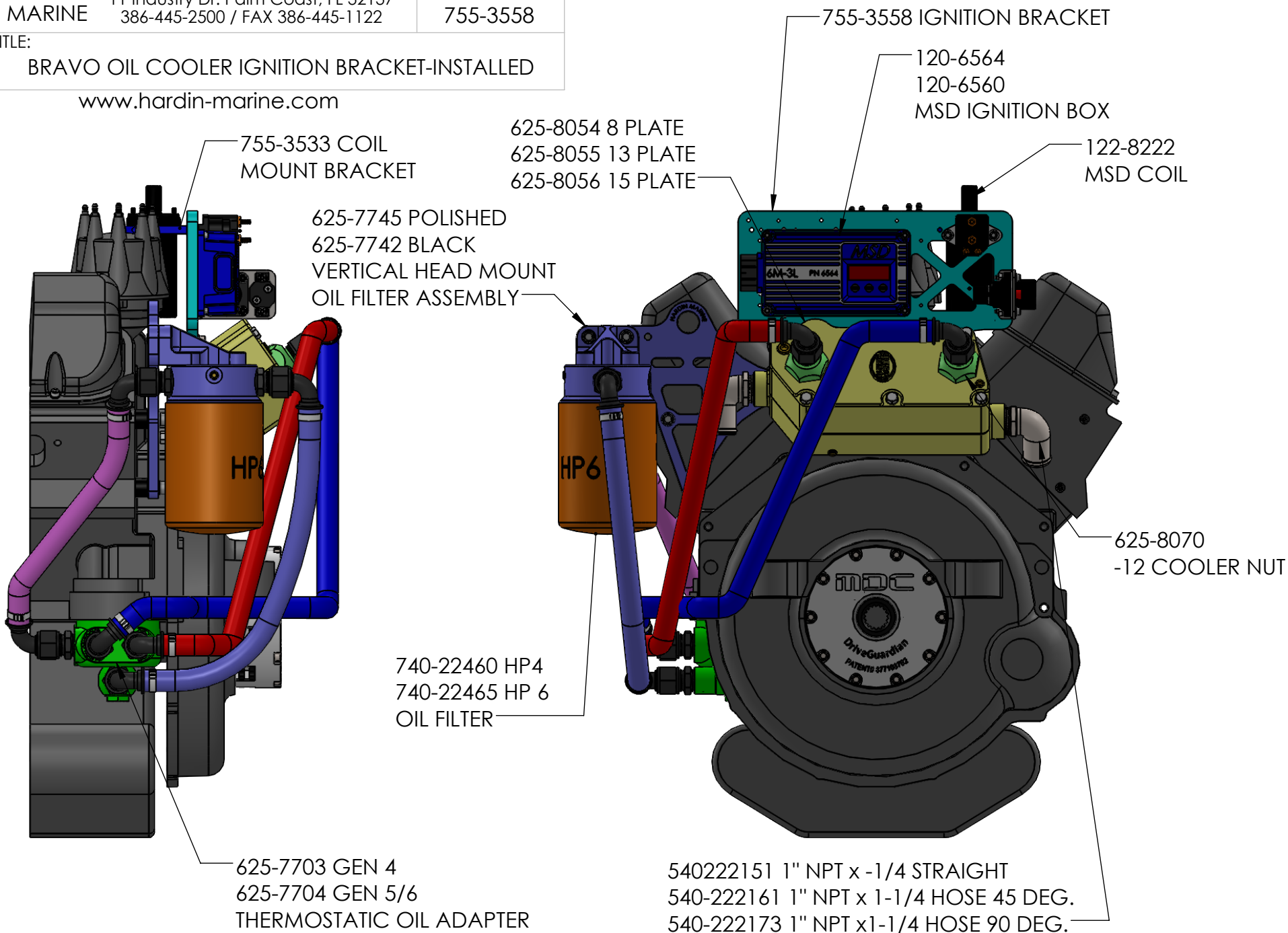
PART NO.

755-3558

TITLE:

BRAVO OIL COOLER IGNITION BRACKET-INSTALLED

www.hardin-marine.com



THIS DRAWING IS CONFIDENTIAL AND IS SUPPLIED ON EXPRESS CONDITION THAT IT SHALL NOT BE LENT, COPIED OR DISCLOSED TO ANY OTHER PERSON OR USED FOR ANY OTHER PURPOSE WITHOUT WRITTEN CONSENT OF HARDIN MARINE INC.. BREACH OF THIS CONTRACT WILL HOLD ..... AND IT'S PRINCIPALS LIABLE FOR LOSS AND DAMAGES.

HARDIN  
MARINE

11 Industry Dr. Palm Coast, FL 32137  
386-445-2500 / FAX 386-445-1122

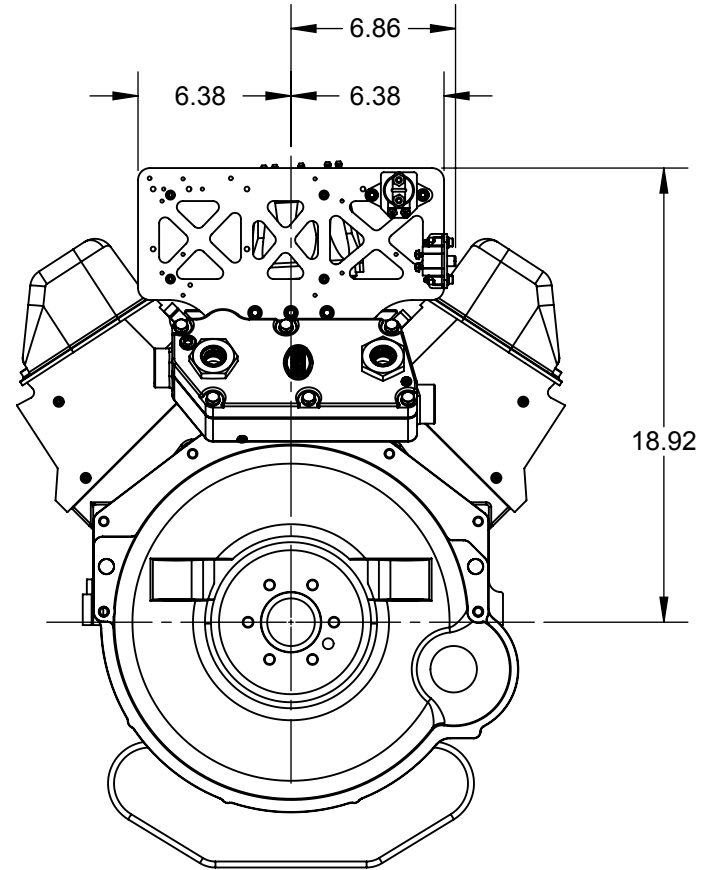
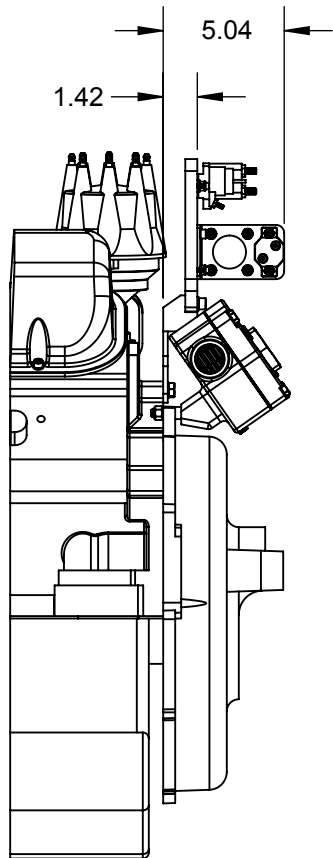
PART NO.

755-3558

TITLE:

BRAVO COOLER IGNITION BRACKET ASSEMBLY

www.hardin-marine.com



THIS DRAWING IS CONFIDENTIAL AND IS SUPPLIED ON EXPRESS CONDITION THAT IT SHALL NOT BE LENT, COPIED OR DISCLOSED TO ANY OTHER PERSON OR USED FOR ANY OTHER PURPOSE WITHOUT WRITTEN CONSENT OF HARDIN MARINE INC.. BREACH OF THIS CONTRACT WILL HOLD ..... AND IT'S PRINCIPALS LIABLE FOR LOSS AND DAMAGES.