

HARDIN  
MARINE

11 Industry Dr. Palm Coast, FL 32137  
386-445-2500 / FAX 386-445-1122

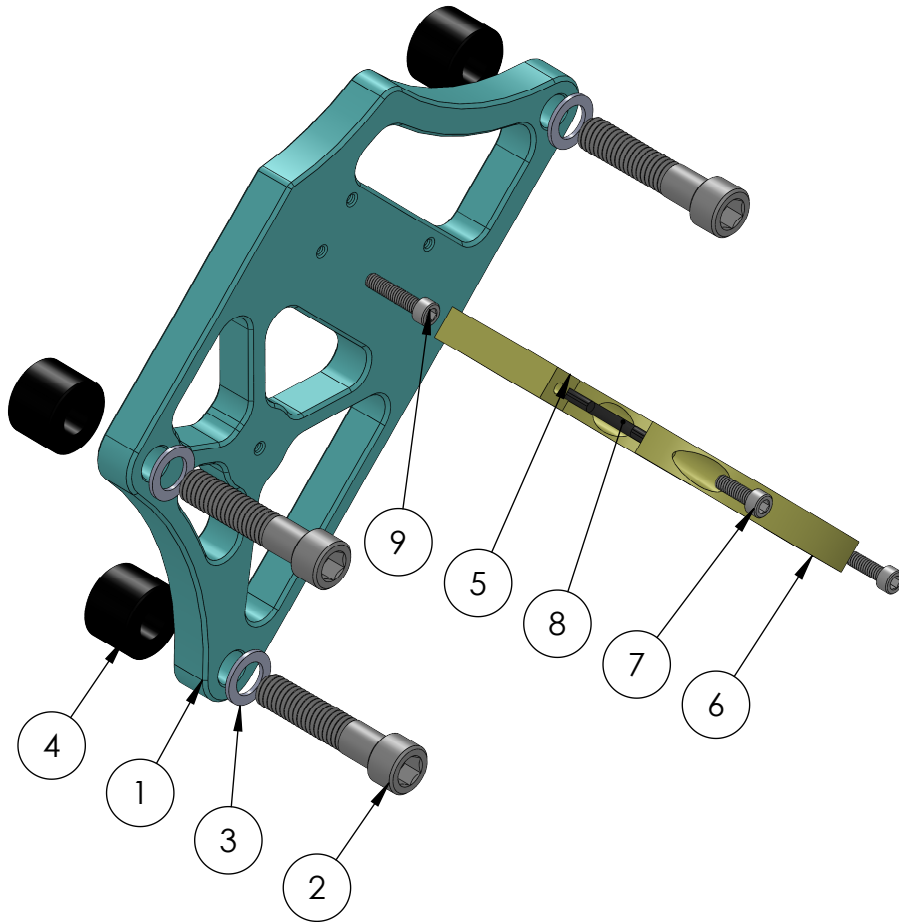
PART NO.

755-3555

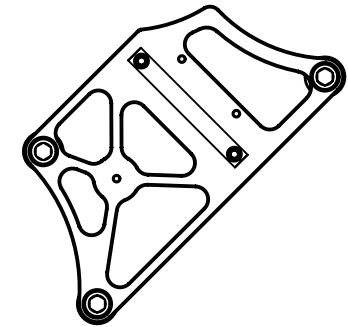
TITLE:

## HEAD MOUNT COIL MOUNT

www.hardin-marine.com



ITEM NO.	PART NUMBER	DESCRIPTION	QTY.
1	755-3540	BRACKET, COIL HEAD MOUNT	1
2	90037C175SHS	BOLT,SHCS, 3/8-16 x 1-3/4	3
3	90037AN-STSS	WASHER, 3/8 AN	3
4	625-7754	BUSHING, HEAD MOUNT BRACKETS	3
5	755-3539	BOTTOM, COIL CLAMP	1
6	755-3538	TOP, COIL CLAMP	1
7	90008C050SHS	BOLT, 8-32	2
8	910-125	O-RING	2
9	90008C075SHS	BOLT, 8-32 x .75	2



### INSTALLATION INSTRUCTIONS:

- 1) BRACKET CAN BE MOUNT EITHER PORT OR STARBOARD, FRONT OR BACK. SHOWN AS PORT REAR INSTALLATION.
- 2) INSTALL #4 625-7754 SPACERS BETWEEN HEAD AND BRACKET.
- 3) INSTALL BRACKET USING #2 90037C175SHS BOLTS & #3 90037AN-STSS WASHERS. TORQUE TO 30 FT. LBS..
- 4) INSTALL #5 755-3539 BOTTOM COIL CLAMP USING THE #9 90008C075SHS. TORQUE TO 40 IN. LBS..
- 5) INSTALL #8 910-125 O-RING INTO BOTH THE BOTTOM AND TOP OF THE COIL BRACKET.
- 6) INSTALL COIL INTO MOUNT.
- 7) INSTALL #6 755-3538 TOP COIL CLAMP USING #7 90008C050SHS BOLTS. TORQUE TO 10 IN. LBS..

THIS DRAWING IS CONFIDENTIAL AND IS SUPPLIED ON EXPRESS CONDITION THAT IT SHALL NOT BE LENT, COPIED OR DISCLOSED TO ANY OTHER PERSON OR USED FOR ANY OTHER PURPOSE WITHOUT WRITTEN CONSENT OF HARDIN MARINE INC.. BREACH OF THIS CONTRACT WILL HOLD ..... AND IT'S PRINCIPALS LIABLE FOR LOSS AND DAMAGES.

HARDIN  
MARINE

11 Industry Dr. Palm Coast, FL 32137  
386-445-2500 / FAX 386-445-1122

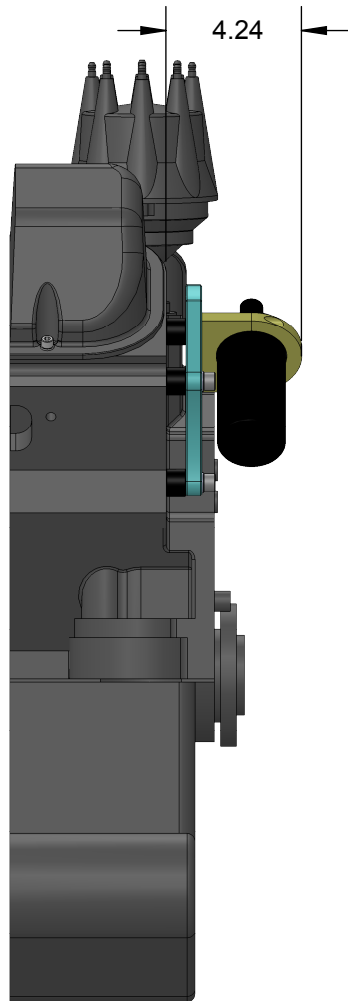
PART NO.

755-3555

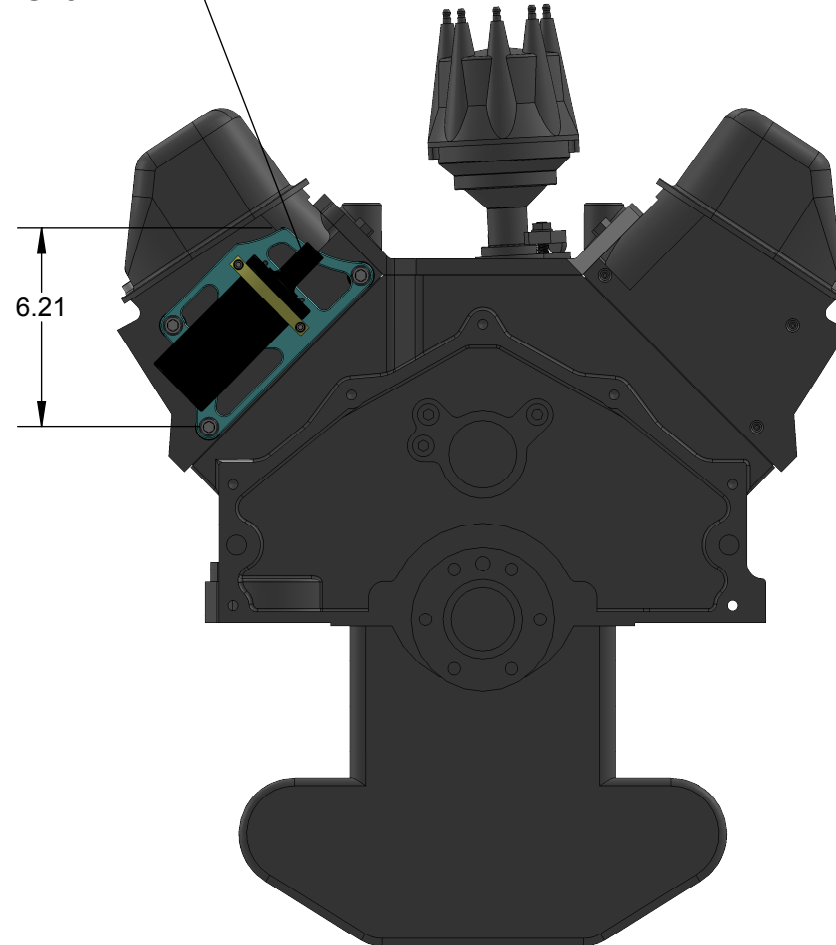
TITLE:

HEAD MOUNT COIL BRACKET

www.hardin-marine.com



120-8200 & 120-8222 COIL  
NOT INCLUDED



THIS DRAWING IS CONFIDENTIAL AND IS SUPPLIED ON EXPRESS CONDITION THAT IT SHALL NOT BE LENT, COPIED OR DISCLOSED TO ANY OTHER PERSON OR USED FOR ANY OTHER PURPOSE WITHOUT WRITTEN CONSENT OF HARDIN MARINE INC.. BREACH OF THIS CONTRACT WILL HOLD ..... AND IT'S PRINCIPALS LIABLE FOR LOSS AND DAMAGES.