

HARDIN MARINE 11 Industry Dr. Palm Coast, FL 32137  
386-445-2500 / FAX 386-445-1122

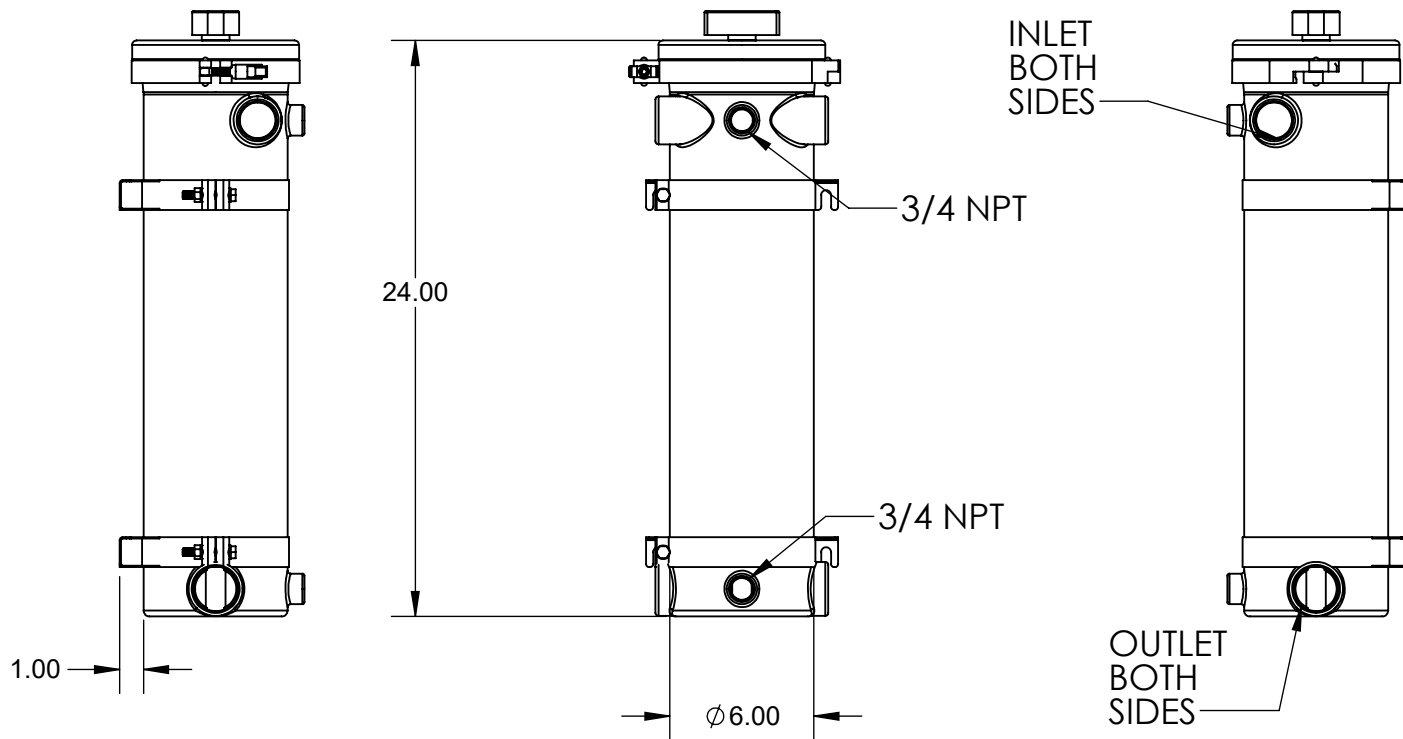
PART NO.  
620-913208

TITLE:

# TITAN SEA STRAINER

www.hardin-marine.com

THIS IS OUT STANDARD CONFIGURATION. CUSTOMER WILL LET US KNOW WHAT SIZE INLET AND OUTLETS THEY WOULD LIKE. IF CUSTOMER WANTS ANYTHING DIFFERENT THEN A DRAWING IS REQUIRED. CUSTOMER NEED SO TO LET US NOW WHAT COLORED LID.



THIS DRAWING IS CONFIDENTIAL AND IS SUPPLIED ON EXPRESS CONDITION THAT IT SHALL NOT BE LENT, COPIED OR DISCLOSED TO ANY OTHER PERSON OR USED FOR ANY OTHER PURPOSE WITHOUT WRITTEN CONSENT OF HARDIN MARINE INC.. BREACH OF THIS CONTRACT WILL HOLD ..... AND IT'S PRINCIPALS LIABLE FOR LOSS AND DAMAGES.