

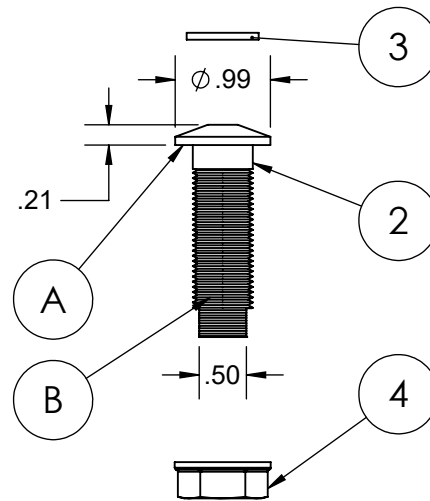
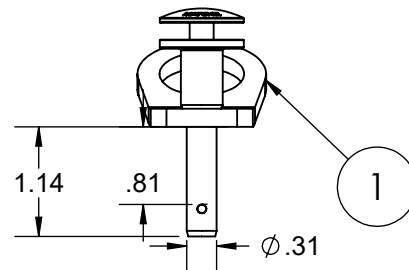
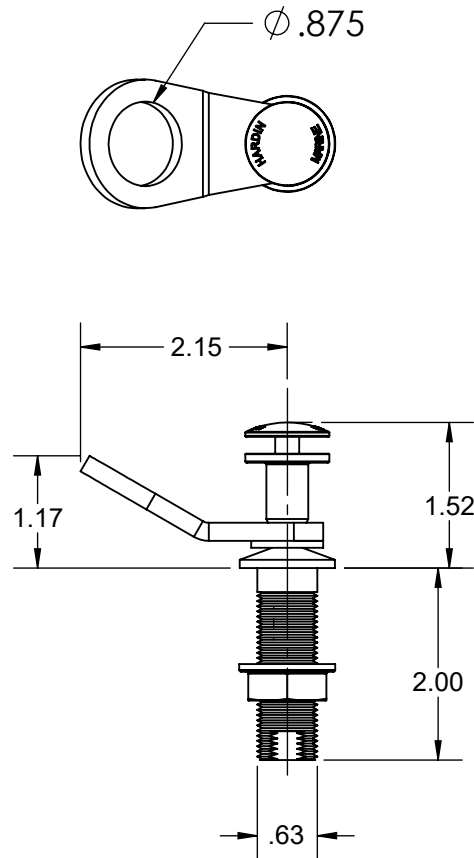
**HARDIN MARINE** 11 Industry Dr. Palm Coast, FL 32137  
386-445-2500 / FAX 386-445-1122

PART NO.  
620-142324

ITEM NO.	PART NUMBER	DESCRIPTION	QTY.
1	620-142325	5/16 SOFT TOUCH QUICK RELEASE PIN	1
2	620-142233	BASE, 5/16 PIN CLEAT	1
3	90031AN-STPL	WASHER, NYLON - 5/16	1
4	620-142236	NUT, 5/16 PIN CLEAT	1

TITLE:  
5/16 SOFT TOUCH PIN CLEAT

www.hardin-marine.com



**INSTALLATION INSTRUCTIONS:**

- 1) DRILL  $\phi$  5/8 HOLE.
- 2) APPLY 5200 MARINE SEALANT UNDER THE HEAD OF #2 BASE, FIG.A.
- 3) INSTALL BASE INTO THE HOLE
- 4) APPLY ANTI SEIZE TO THE THREADS, FIG. B.
- 5) INSTALL #4 NUT. HOLD THE BASE IN PLACE USING A 1/2 WRENCH. TIGHTEN NUT WITH 13/16 WRENCH.