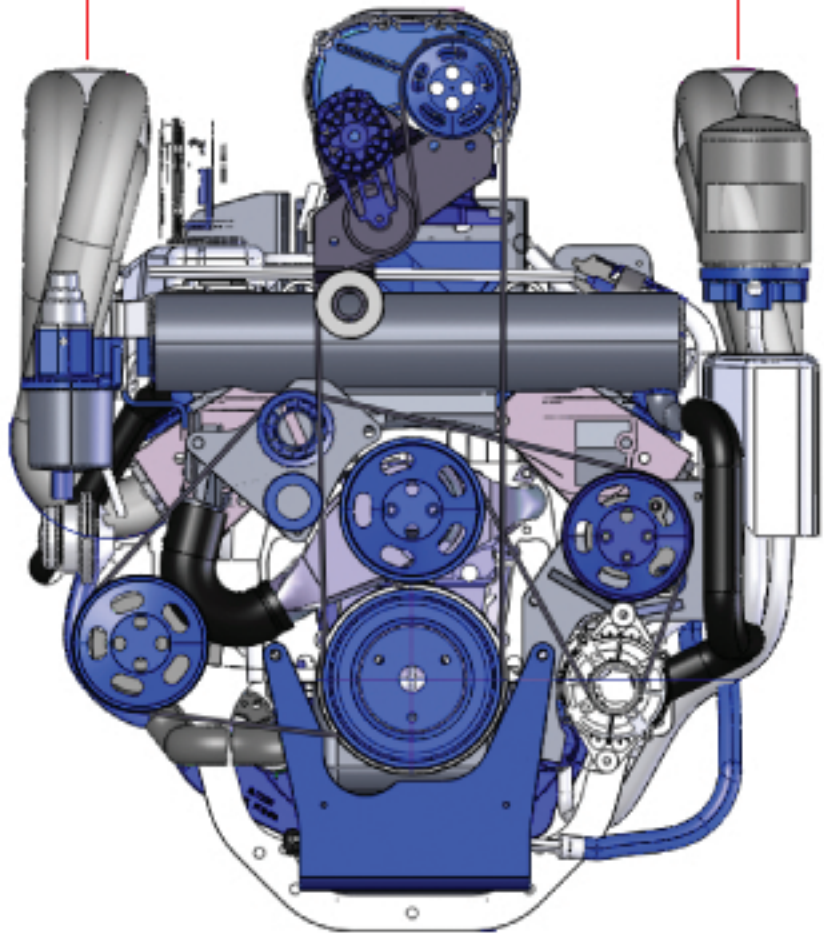


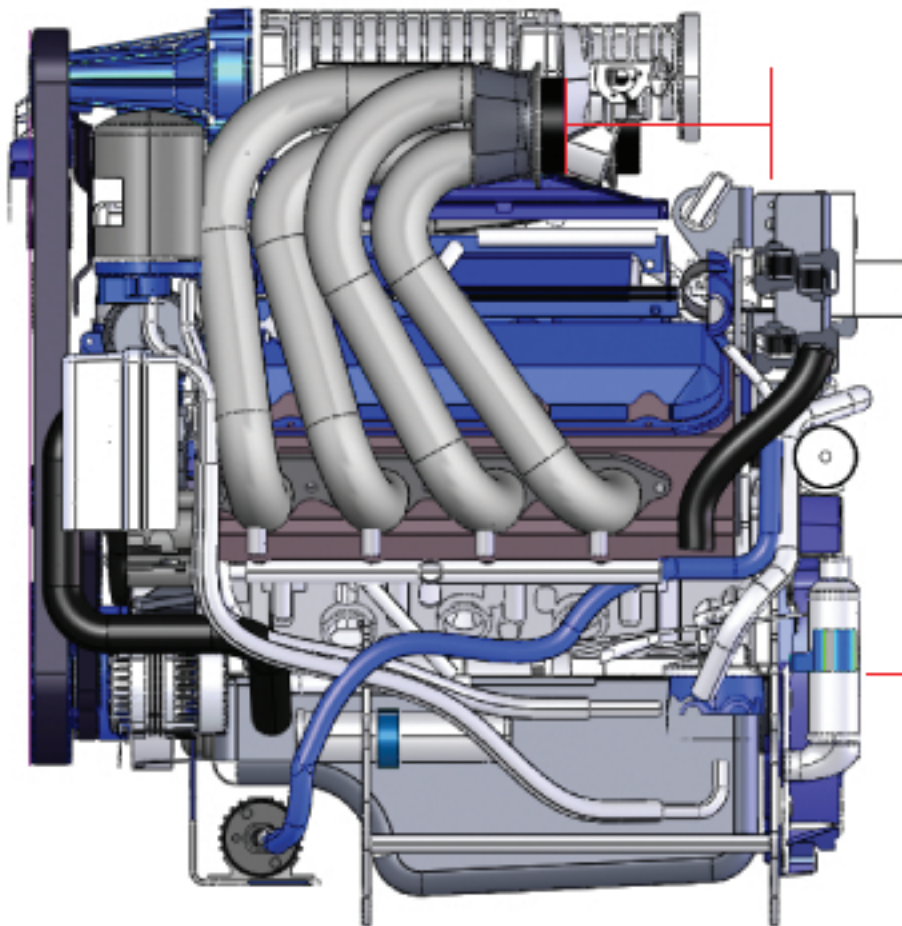
C

Center to Center of Collectors



B

Distance from Collector Flange to Rear of Block Face



A

Height from Centerline

