

HARDIN
MARINE

11 Industry Dr. Palm Coast, FL 32137
386-445-2500 / FAX 386-445-1122

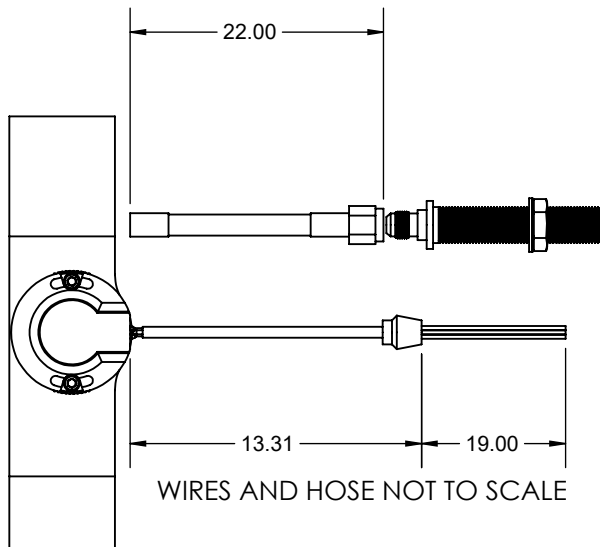
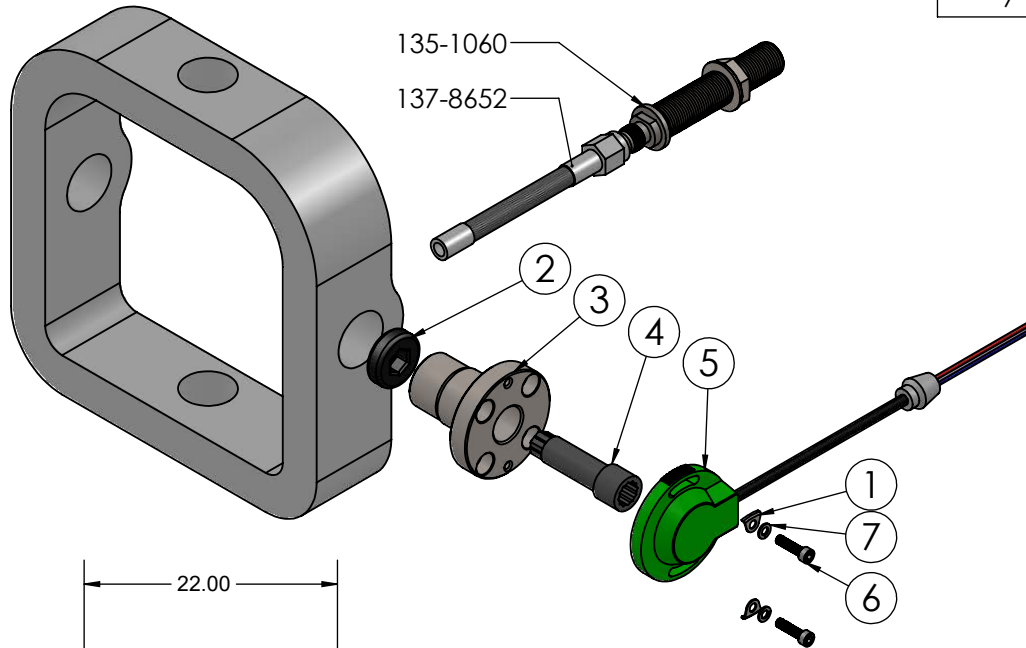
PART NO.
137-8689/
137-8690

TITLE:

#6 3 WIRE CONVERSION

www.hardin-marine.com

ITEM NO.	PART NUMBER	DESCRIPTION	QTY.
1	525-57008	RETAINER	2
2	525-842812	DRIVE, DRIVESHAFT	1
3	525-842814	PIN, #6 HINGE	1
4	525-8M0065246	DRIVESHAFT, SENSOR	1
5	525-8M0095310	SENDER, TRIM 3 WIRE	1
6	90010F075SHS	BOLT, 10-32 x .75	2
7	90010SL-STSS	WASHER, #10	2



- * 137-8690 DOES NOT INCLUDE #3 PIN HINGE.
- * SEE 137-8684 FOR WIRING AND SENDER ADJUSTMENT.
- * SENDER ROUTING CAN BE THRU THE MERCURY GIMBAL HOUSING OR BY USING OPTIONAL 137-8652 HOSE AND 135-1060 THRU HULL.

THIS DRAWING IS CONFIDENTIAL AND IS SUPPLIED ON EXPRESS CONDITION THAT IT SHALL NOT BE LENT, COPIED OR DISCLOSED TO ANY OTHER PERSON OR USED FOR ANY OTHER PURPOSE WITHOUT WRITTEN CONSENT OF HARDIN MARINE INC.. BREACH OF THIS CONTRACT WILL HOLD AND IT'S PRINCIPALS LIABLE FOR LOSS AND DAMAGES.

HARDIN
MARINE

11 Industry Dr. Palm Coast, FL 32137
386-445-2500 / FAX 386-445-1122

PART NO.

137-8684

TITLE:

3 WIRE SENDER WIRING

www.hardin-marine.com

DASH PANEL TO 3 WIRE SENDER WIRE COLOR CODE:

- 1) BLACK - GROUND
- 2) RED - 12V/ 5AMP FUSED KEYED POWER
- 3) YELLOW - DASH LIGHTS
- 4) BLUE - PORT SENDER BLUE WIRE
- 5) WHITE - PORT SENDER WHITE WIRE
- 6) GREY - PORT SENDER RED WIRE
- 7) BLUE - STBD SENDER BLUE WIRE
- 8) WHITE - STBD SENDER WHITE WIRE
- 9) GREY - STBD SENDER RED WIRE

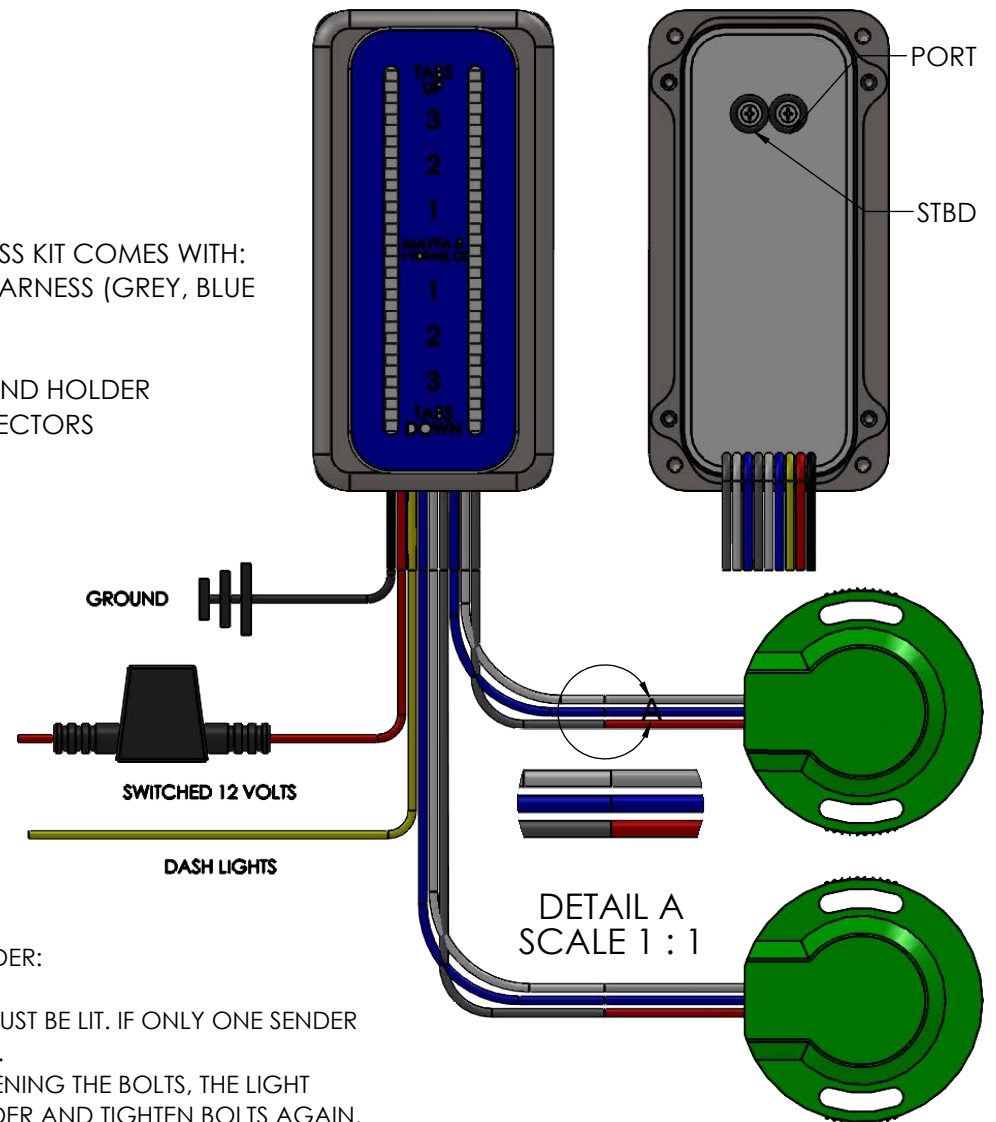
WARNING:
ATTACHING POWER TO ANY OTHER WIRE THAN THE RED OR GREY WIRE WILL PERMENANTLY DAMAGE THE SENDER AND DASH PANEL.

USED IN 137-8144, 137-8687, 137-8689, 137-8690 & 137-8729 ACTUATOR KITS

ADJUSTING THE LED LIGHT RANGE FOR MERCURY SMARTCRAFT/3 WIRE SENDER:

- 1) MOVE THE DRIVE/TAB ALL THE WAY DOWN.
- 2) BOTH SENDERS MUST BE WIRED AND THE BOTTOM LIGHT ON BOTH SIDES MUST BE LIT. IF ONLY ONE SENDER IS BEING USED, WIRE BOTH SIDES OF THE DASH PANEL TO THE SINGLE SENDER.
- 3) ADJUST THE MERCURY SENDER SO THE BOTTOM LIGHT IS ON. WHEN TIGHTENING THE BOLTS, THE LIGHT MIGHT TURN OFF OR SHOW TWO LIGHTS. IF SO, LOOSEN BOLTS, ADJUST SENDER AND TIGHTEN BOLTS AGAIN. SENDER IS VERY SENSITIVE TO MOVEMENT.
- 4) MOVE THE DRIVE/TAB ALL THE WAY UP.
- 5) USING 1/16 ALLEN KEY, REMOVE THE BACK COVER.
- 6) USING A SMALL FLAT SCREWDRIVER, **CAREFULLY** TURN THE ADJUSTMENT SCREW ON THE BACK OFF THE LED PANEL ALL THE WAY COUNTERCLOCKWISE. SOME OF THE TOP LED'S SHOULD TURN OFF.
- 7) SLOWLY TURN THE ADJUSTING SCREW CLOCKWISE UNTIL THE THE TOP LED LIGHT BEGINS TO ILLUMINATE. PANEL IS NOW ADJUSTED FOR FULL RANGE. NOW ADJUST THE OTHER SIDE. CYCLE UP AND DOWN A FEW TIMES TO MAKE SURE LIGHTS ARE ADJUSTED PROPERLY.
- 8) REINSTALL REAR COVER.
- 9) 2 SLOT SHOWN. SAME INSTRUCTIONS FOR 4 AND 6 SLOT PANELS.

137-8684 HARNESS KIT COMES WITH:
(2) 30' SENDER HARNESS (GREY, BLUE AND WHITE)
(1) 30' RED WIRE
(1) 5AMP FUSE AND HOLDER
(20) BUTT CONNECTORS

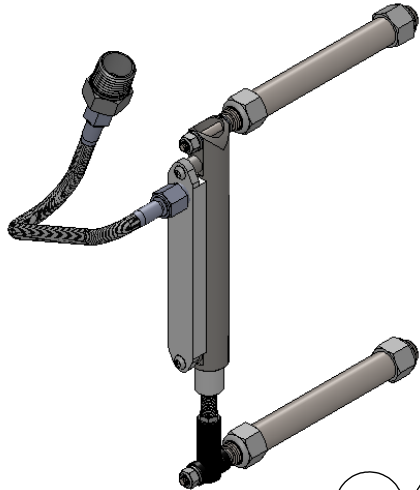


MAYFAIR HYDRAULICS

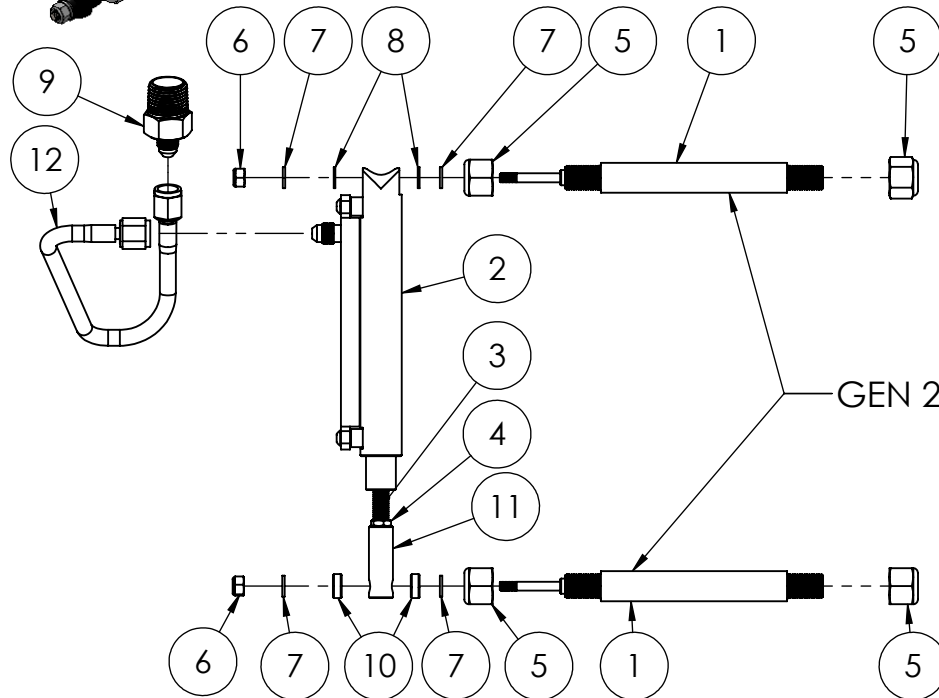
PART NO.
137-8682

TITLE: GEN 2 MERCURY TRIM TAB LED RETRO KIT-
PARTS BREAKDOWN

www.mayfairhydraulics.com



ITEM NO.	PART NUMBER	DESCRIPTION	QTY.
1	137-8664	PIN, MERC TRIM RAM w/BUSHING	4
2	137-8686	SENDER MOUNT	2
3	90010F200SES	SCREW, SET	2
4	90010FP-FNSS	NUT, 10-32	2
5	90050FN-FNSS	NUT, NYLON, 1/2"-20	8
6	90010CN-FNSS	NUT, 10-24	4
7	90010AN-STSS	WASHER, #10 AN	8
8	90010AN-STPL	WASHER, 10 NYLON	4
9	137-8417	FITTING, TRIM TAB SENSOR	2
10	137-8665	SPACER, ACTUATOR PIN	4
11	137-8059	CABLE END, TRIM TAB	2
12	137-8666	HOSE, LED SENDER	2



IMPORTANT NOTES:

- 1) ONLY 1 ASSEMBLY SHOWN. KIT COMES WITH 2 OF THESE ASSEMBLIES
- 2) ALWAYS USE ANTI-SIEZE ON ALL BOLTS & #12 137-8666 HOSE.
- 3) TORQUE #10 NUTS TO 20 IN. LBS..
- 4) TORQUE 7/16 NUTS TO 40 FT. LBS..
- 5) USE LIQUID PIPE TAPE TO INSTALL #9 137-8417 FITTING.

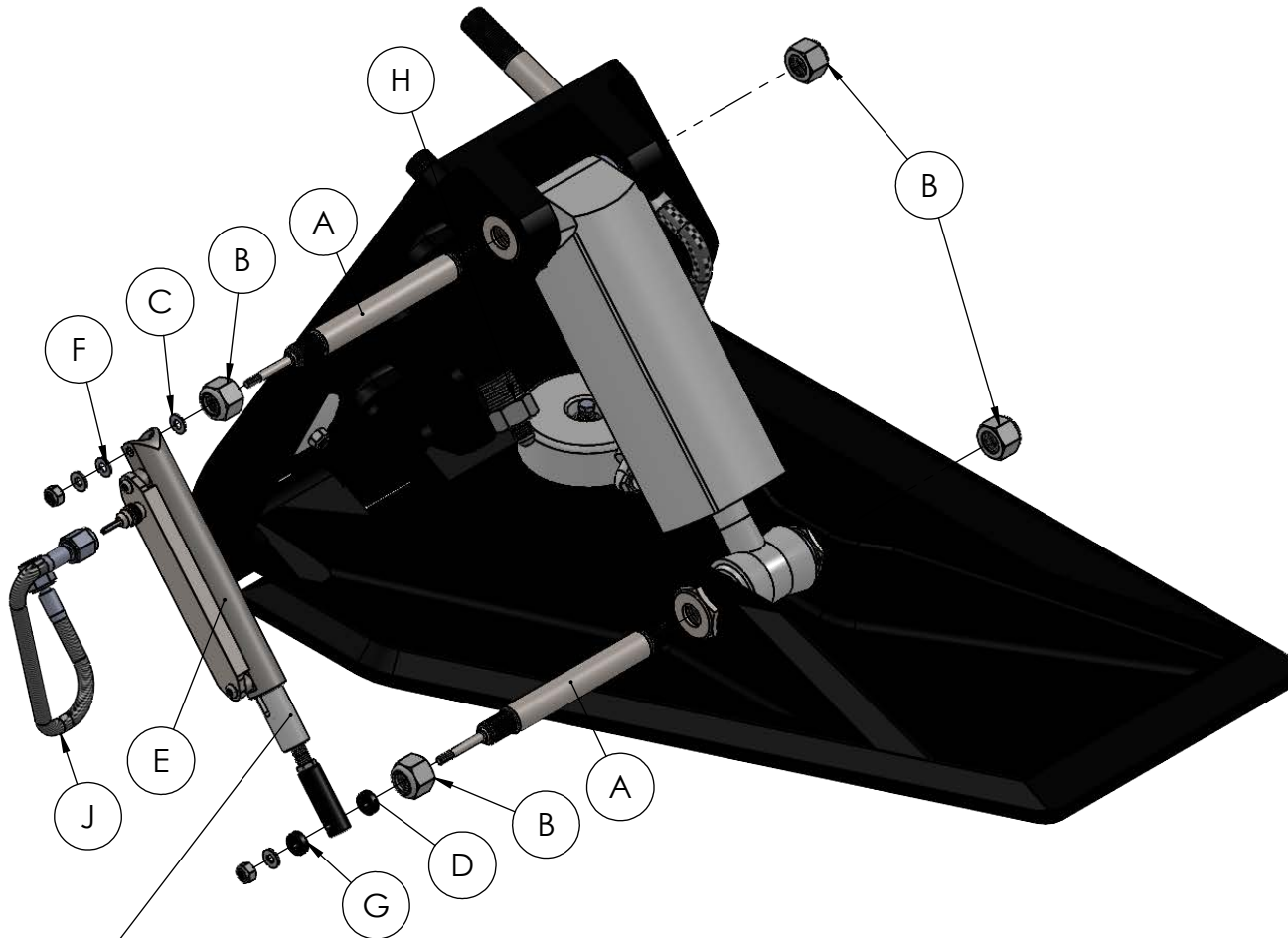
GEN 2 MERCURY TRIM TABS USE ϕ 5/8 PINS

MAYFAIR HYDRAULICS

PART NO.
137-8682

TITLE:
MERCURY GEN2 TRIM TAB ACTUATOR KIT

www.mayfairhydraulics.com



WARNING:
COAT WITH MERCURY 2-4-C GREASE.
BEFORE INSTALLING AND PERIODICALLY
INSPECT AND REAPPLY GREASE!

INSTALLATION INSTRUCTIONS:

- 1) REMOVE OLD TRIM PINS AND CABLE THRU HULL FITTINGS.
- 2) SEE PARTS BREAKDOWN PRINT FOR PART NUMBERS AND ASSEMBLY LOCATIONS.
- 3) APPLY ANTI SIEZE TO THE OD OF BOTH 137-8057 PINS AND THREADS. SEE FIG. A.
- 4) SLIDE PINS INTO TABS AND RAMS. MAKE SURE TO KEEP THE ORIGINAL SPACERS IN THE SAME POSITION.
- 5) INSTALL 7/16 NUTS, FIG. B. TORQUE TO 40 FT. LBS..
- 6) SLIDE #10 NYLON WASHER ON THE UPPER STUD, FIG. C.
- 7) SLIDE 137-8665 SPACER ON TO THE LOWER STUD, FIG. D.
- 8) SLIDE SENDER MOUNT ON TO THE STUDS, FIG. E.
- 9) INSTALL #10 NYLON WASHER, #10 STAINESS WASHER AND NUT ON TO THE UPPER STUDS, FIG. F. TORQUE TO 20 IN. LBS.. THE NUTS WILL BOTTOM OUT ON THE STUD. SLIDE SENDER SHOULD BE FREE TO MOVE.
- 10) INSTALL 137-8665 SPACER, #10 STAINESS WASHER AND NUT ON TO THE LOWER STUD, FIG. G. TORQUE TO 20 IN. LBS.
- 11) APPLY LIQUID PIPE TAPE TO 137-8417 FITTING, FIG H. INSTALL IN THREADED HOLE WERE THE CABLE THRU HULL WAS.
- 12) SLIDE WIRES FROM HOSE AND SENDER THRU THE FITTING.
- 13) APPLY ANTI SIEZE TO 137-8417 FITTING AND LED SENDER. INSTALL 137-8666 HOSE, FIG J.
- 14) PROCEED TO WIRING INSTRUCTIONS.

HARDIN
MARINE

11 Industry Dr. Palm Coast, FL 32137
386-445-2500 / FAX 386-445-1122

PART NO.

137-8414

TITLE:

TRIM SENDER - GEN 2

www.hardin-marine.com

DASH PANEL TO SENDER WIRE COLOR CODE:

- 1) BLACK - GROUND
- 2) RED - 12V/ 5AMP FUSED KEYED POWER
- 3) YELLOW - DASH LIGHTS
- 4) BLUE - PORT SENDER BLACK & YELLOW (GROUND)
- 5) WHITE - PORT SENDER WHITE (SEND)
- 6) GREY - PORT SENDER RED (POWER)
- 7) BLUE - STBD SENDER BLACK & YELLOW (GROUND)
- 8) WHITE - STBD SENDER WHITE (SEND)
- 9) GREY - STBD SENDER RED (POWER)

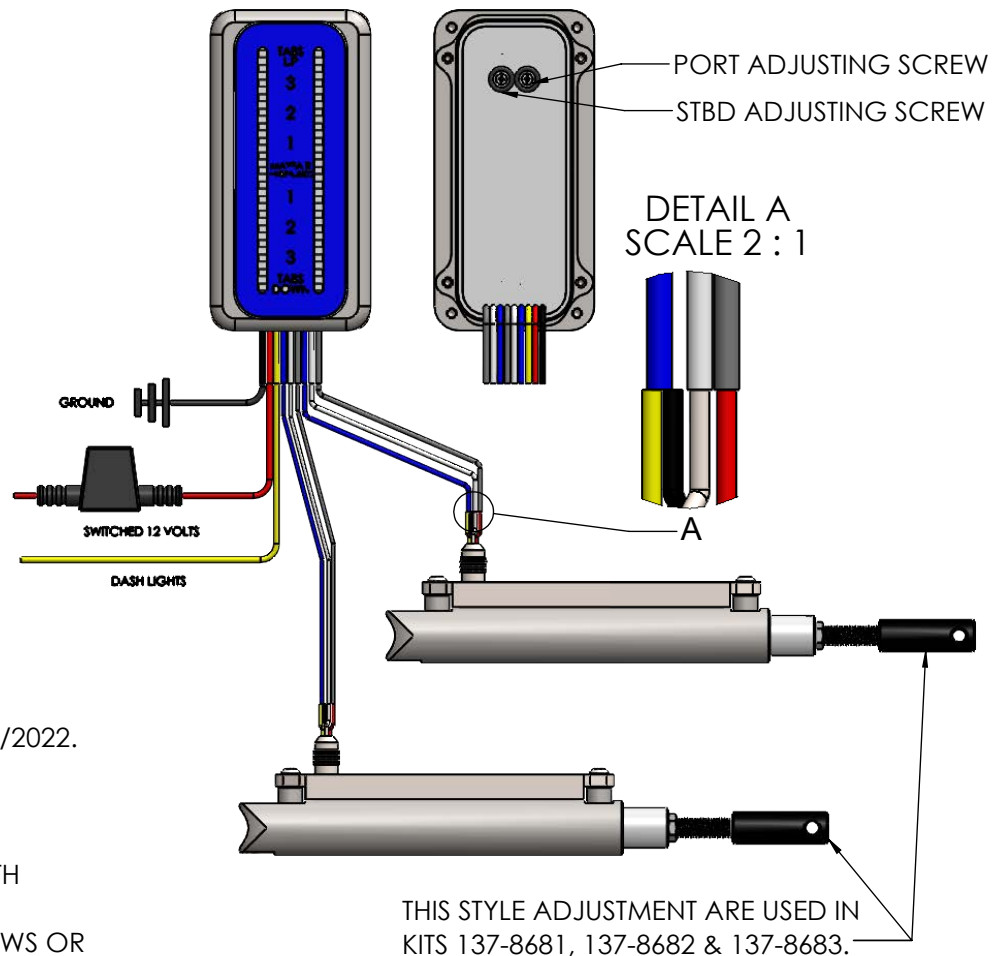
OPTIONAL 137-8684 HARNESS KIT COMES WITH:

- (2) 30' SENDER HARNESS (GREY, BLUE AND WHITE)
- (1) 30' RED WIRE
- (1) 5AMP FUSE AND HOLDER
- (20) BUTT CONNECTORS

USED IN 137-8681, 137-8682, 137-8683, 137-8688 & 137-8737 KITS 06/2022.

ADJUSTING THE LED LIGHT RANGE:

- 1) MOVE TO DRIVE/TAB ALL THE WAY DOWN.
- 2) BOTH SENDERS MUST BE WIRED AND THE BOTTOM LIGHT ON BOTH SIDES MUST BE LIT.
- 3) DEPENDING ON THE KIT, YOU WILL EITHER ADJUST THE END SCREWS OR SLID THE ASSEMBLY TO GET THE BOTTOM LIGHT ON THE DASH TO ILLUMINTE.
- 4) MOVE THE DRIVE/TAB ALL THE WAY UP.
- 5) USING 1/16 ALLEN KEY, REMOVE THE BACK COVER.
- 6) USING A SMALL FLAT SCREWDRIVER, **CAREFULLY** TURN THE ADJUSTMENT ON THE BACK OFF THE LED PANEL ALL THE WAY COUNTER CLOCKWISE. SOME OF THE TOP LED'S SHOULD TURN OFF.
- 7) SLOWLY TURN THE ADJUSTING SCREW CLOCKWISE UNTIL THE THE TOP LED LIGHT BEGINS TO ILLUMINATE. PANEL IS NOW ADJUSTED FOR FULL RANGE. NOW ADJUST THE OTHER SIDE. CYCLE UP AND DOWN A FEW TIMES TO MAKE SURE LIGHTS ARE ADJUSTED PROPERLY.
- 8) REINSTALL REAR COVER.
- 9) 2 SLOT SHOWN. SAME INSTRUCTIONS FOR 4 AND 6 SLOT PANELS.



WARNING:
ATTACHING POWER TO ANY OTHER WIRE
THAN THE RED OR GREY WIRE WILL
PERMANENTLY DAMAGE THE SENDER AND
DASH PANEL.

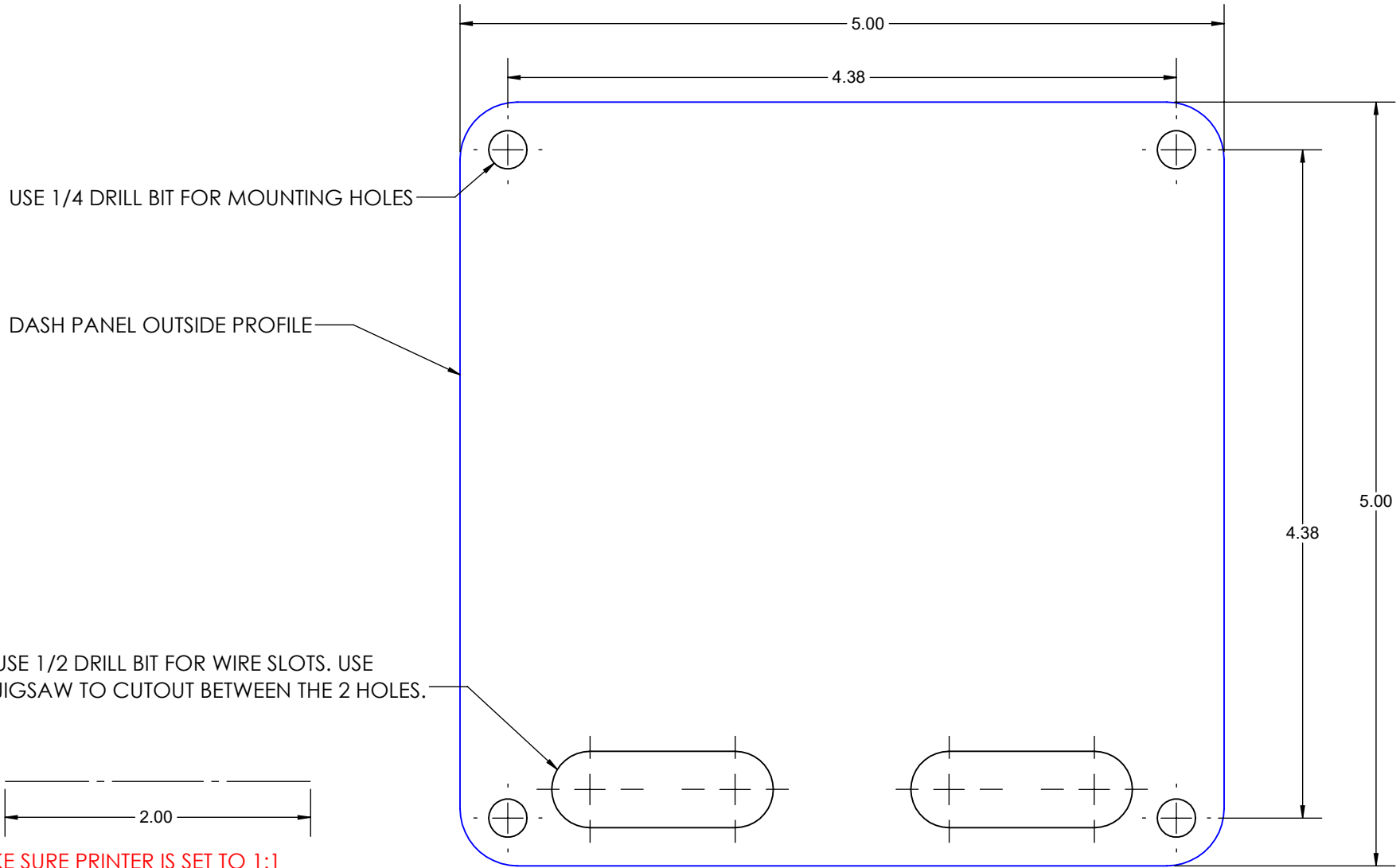
THIS DRAWING IS CONFIDENTIAL AND IS SUPPLIED ON EXPRESS CONDITION THAT IT SHALL NOT BE LENT, COPIED OR DISCLOSED TO ANY OTHER PERSON OR USED FOR ANY OTHER PURPOSE WITHOUT WRITTEN CONSENT OF HARDIN MARINE INC.. BREACH OF THIS CONTRACT WILL HOLD AND IT'S PRINCIPALS LIABLE FOR LOSS AND DAMAGES.

MAYFAIR PERFORMANCE

PART NO.

TITLE:
4 SLOT DASH PANEL CUTOUT

www.hardin-marine.com



MAKE SURE PRINTER IS SET TO 1:1
SCALE WHEN PRINTING. MEASURE THIS
LINE TO INSURE CORRECT SCALE.

THIS DRAWING IS CONFIDENTIAL AND IS SUPPLIED ON EXPRESS CONDITION THAT IT SHALL NOT BE LENT, COPIED OR DISCLOSED TO ANY OTHER PERSON OR USED FOR ANY OTHER PURPOSE WITHOUT WRITTEN CONSENT OF HARDIN MARINE INC.. BREACH OF THIS CONTRACT WILL HOLD AND IT'S PRINCIPALS LIABLE FOR LOSS AND DAMAGES.