

## Heavy Duty Busbar

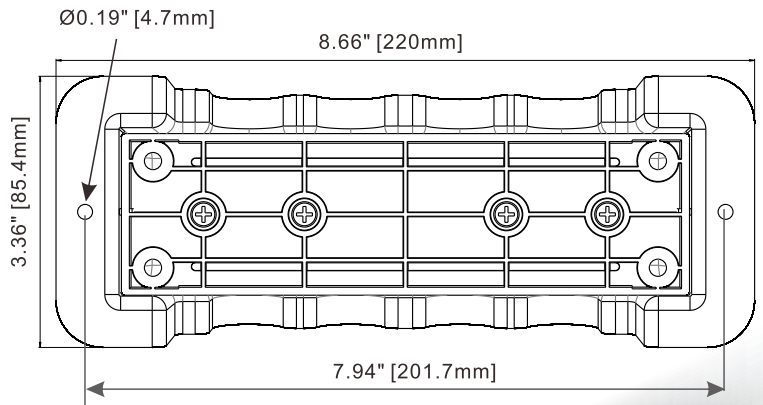
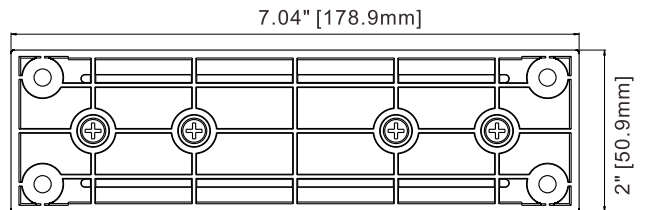
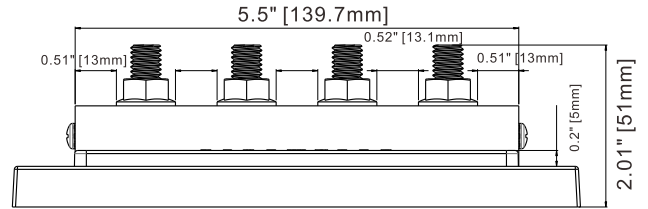
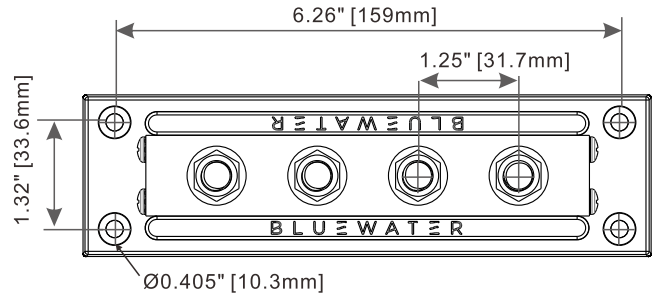
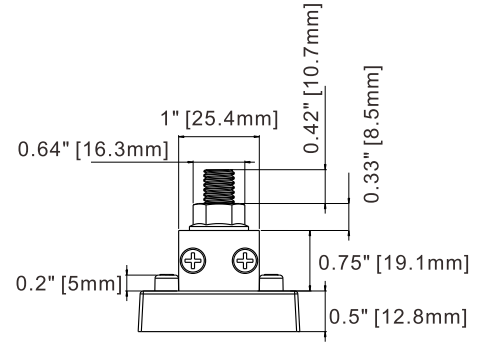
600 Amp

### Features

- ▶ Heavy Duty Busbar Terminal Blocks.
- ▶ Hi-Amp Rated to 600 Amp.
- ▶ 3/8-16 Stud Size Stainless Steel
- ▶ Mounting Holes take 1/4" Screws
- ▶ Busbar Part # : 312315-B-004
- ▶ Cover Part # : 312315-B-104

### Specification

|                       |                                       |
|-----------------------|---------------------------------------|
| Maximum Voltage       | 300V AC / 48V DC                      |
| Terminal Studs        | 4                                     |
| Terminal Type         | 3/8" - 16 Stud                        |
| Terminal Stud Torque  | 140 in-lb (15.82 Nm)                  |
| Continuous Rating     | 545A AC / 600A DC                     |
| Base Material         | Reinforced Polycarbonate 94V-0        |
| Cover Material        | Reinforced Polycarbonate 94V-0        |
| Bus Material          | Tin-Plated Copper<br>CDA 110/UNS11000 |
| Screw Terminal Torque | 15 in-lb (1.69 Nm)                    |
| Stud Torque           | 140 in-lb (15.82 Nm)                  |
| Weight                | 1.72lb (0.78 kg)                      |



\* We reserve the right to change specifications at any time without incurring any obligations!