

HARDIN
MARINE

11 Industry Dr. Palm Coast, FL 32137
386-445-2500 / FAX 386-445-1122

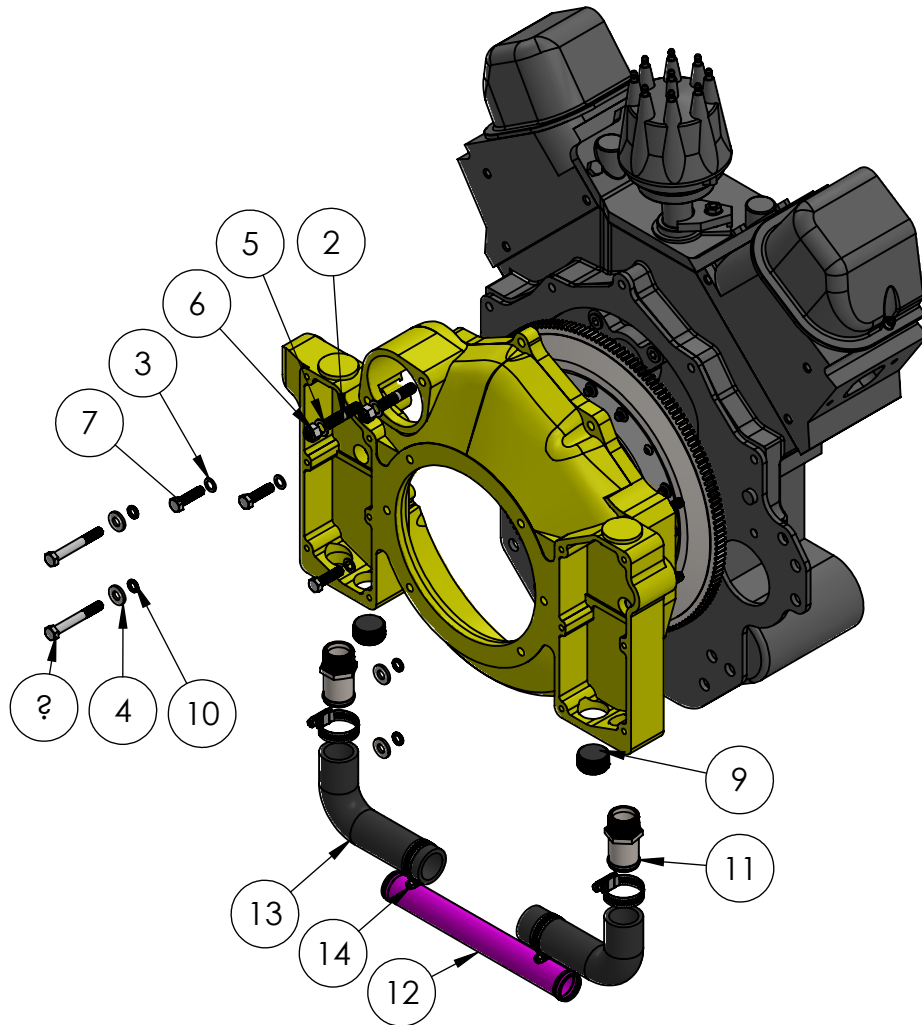
PART NO.

755-8053

TITLE:

DUAL COOLER BELLHOUSING

www.hardin-marine.com



ITEM NO.	PART NUMBER	DESCRIPTION	QTY.
1	755-8011	DUAL COOLER BELLHOUSING	1
2	755-8032	STUD, BELLHOUSING STARTER	2
3	90037AN-STSS	WASHER, 3/8 AN	3
4	90037SA-THSS	WASHER, BELLHOUSING	4
5	90043AN-STSS	WASHER, 7/16AN	2
6	90043FN-FNSS	BOLT, NYLON, FULL, 7/16-24	2
7	90037C137HHS	BOLT, 3/8-16 x 1.38	3
8	90037C275HHS	BOLT, 3/8-16x2.75	4
9	625-2036	PLUG, PIPE - 1" NPT	2
10	625-1904	O-RING	4
11	540-222151	FITTING, 1" NPT x 1-1/4 STRAIGHT	2
12	755-8016	TUBE, BELLHOUSING	1
13	755-8018	HOSE, DUAL COOLER BELLHOUSING	2
14	100-720-6316	HOSE CLAMP	4

INSTALLATION INSTRUCTIONS:

- 1) SLIDE #4 90037SA-STSS WASHERS OVER #8 90037C275SHS BOLTS. SLIDE #10 625-1904 O-RING OVER BOLTS. APPLY WHITE LITHIUM GREASE TO THE O-RINGS.
- 2) SLIDE #1 BELLHOUSING OVER THE DOWEL PINS.
- 3) USING 9/16 SOCKET INSTALL 90037C275SHS BOLT ASSEMBLY INTO THE BELLHOUSING CAVITY.
- 4) SLIDE #3 90037AN-STSS WASHER OVER #7 90037C137HHS BOLTS. INSTALL INTO BELLHOUSING USING 9/16 SOCKET.
- 5) TORQUE ALL 7 BOLTS TO 35 FT. LBS..
- 6) APPLY RED LOCTITE TO THE COURSE THREAD SIDE OF #2 755-8032 STARTER STUD. INSTALL INTO HOUSING.
- 7) HOUSING PLUMBING CAN EITHER BE DUAL WATER IN/OUT OR SINGLE PASS AS SHOWN. MAKE SURE TO USE LIQUID THREAD SEALANT ON #11 540-222151 FITTING AND #9 625-2036 PIPE PLUG.
- 8) YOU CAN ALSO INSTALL 620-100, 620-125 OR 620-150 INSTEAD OF #12 755-8016 CROSSOVER TUBE.