

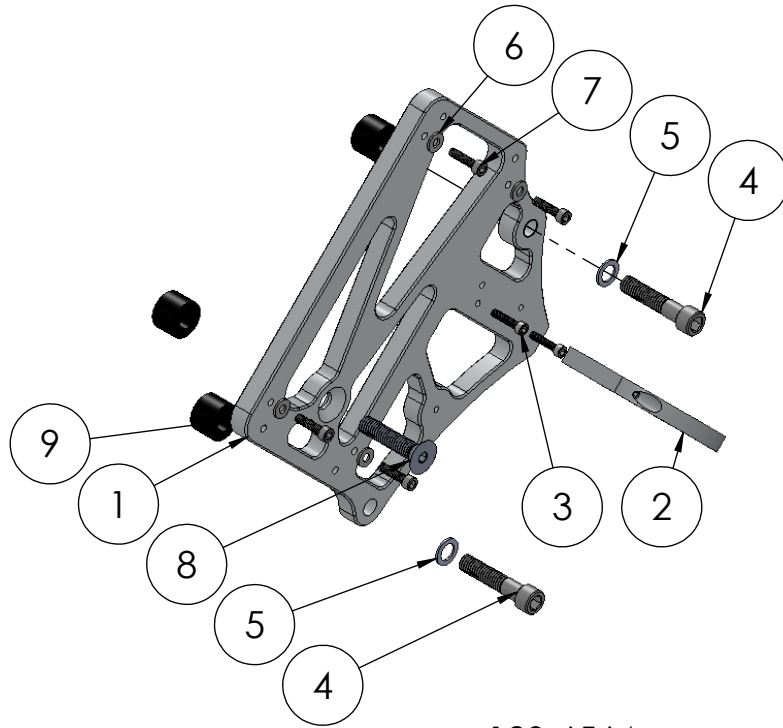
**HARDIN MARINE** 11 Industry Dr. Palm Coast, FL 32137  
386-445-2500 / FAX 386-445-1122

PART NO.  
755-3560

ITEM NO.	PART NUMBER	DESCRIPTION	QTY.
1	755-3537	MSD BOX & COIL HEAD MNT BRKT	1
2	755-3533	COIL BRACKET	1
3	90008C075SHS	BOLT, SHCS, 08-32 x 3/4	2
4	90037C175SHS	BOLT,SHCS, 3/8-16 x 1-3/4	2
5	90037AN-STSS	WASHER, 3/8 AN	2
6	90010AN-STSS	WASHER, #10 AN	4
7	90010C075SHS	BOLT, SHCS, 10-24x3/4	4
8	90037C175SFS	BOLT, FHCS, 3/8-16 x 1-3/4	1
9	625-7754	BUSHING, HEAD MOUNT BRACKETS	3

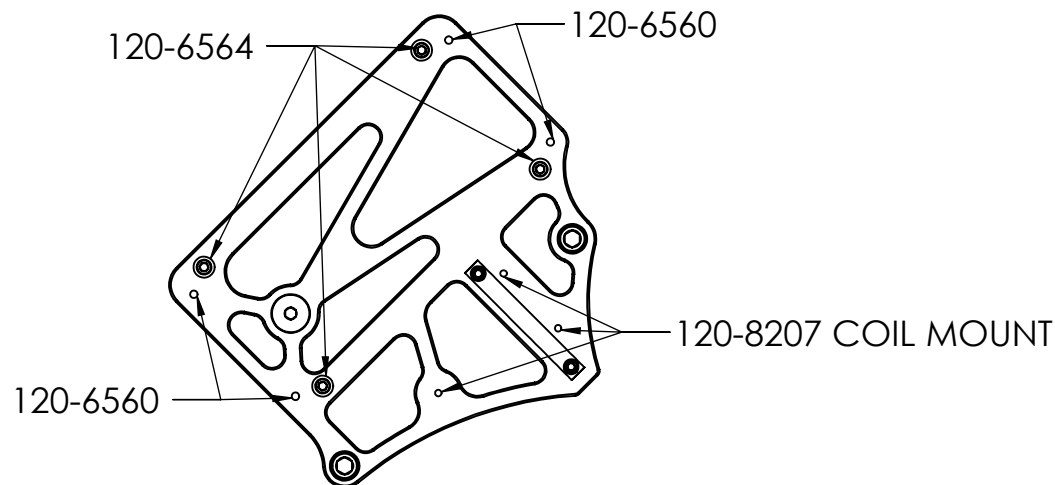
TITLE: MSD CONTROL BOX & COIL HEAD MOUNT BRACKET - GEN 2

www.hardin-marine.com



**INSTALLATION INSTRUCTIONS:**

- 1) BRACKET CAN BE MOUNT EITHER PORT OR STARBOARD, FRONT OR BACK. SHOWN AS PORT REAR INSTALLATION.
- 2) INSTALL #9 625-7754 SPACERS BETWEEN HEAD AND BRACKET.
- 3) INSTALL BRACKET USING #8 90037C175FS & #4 90037C175SHS BOLTS & #5 90037AN-STSS WASHERS. TORQUE TO 30 FT. LBS..
- 4) IF USING A ROUND STYLE COIL, MOUNT USING #2 755-3533 COIL BRACKET USING THE #3 90008C075SHS. TORQUE TO 40 IN LBS..
- 5) IF USING 120-8207 COIL, FOLLOWING MSD INSTALLATION INSTRUCTIONS.
- 6) MOUNT MSD BOX USING #7 90010C075SHS BOLTS AND #6 90010AN-STSS WASHERS. TORQUE TO 60 IN. LBS..



THIS DRAWING IS CONFIDENTIAL AND IS SUPPLIED ON EXPRESS CONDITION THAT IT SHALL NOT BE LENT, COPIED OR DISCLOSED TO ANY OTHER PERSON OR USED FOR ANY OTHER PURPOSE WITHOUT WRITTEN CONSENT OF HARDIN MARINE INC.. BREACH OF THIS CONTRACT WILL HOLD ..... AND IT'S PRINCIPALS LIABLE FOR LOSS AND DAMAGES.

HARDIN MARINE 11 Industry Dr. Palm Coast, FL 32137  
386-445-2500 / FAX 386-445-1122

PART NO.  
755-3560

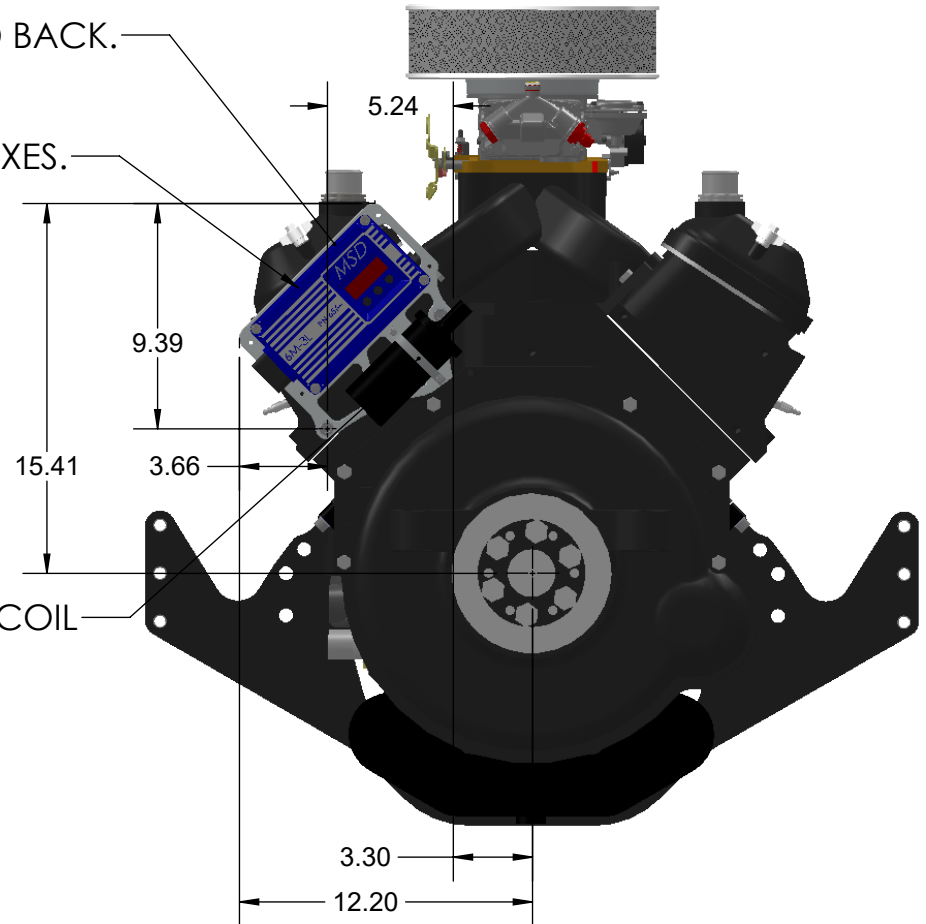
TITLE:  
MSD CONTROL BOX & COIL  
HEAD MOUNT BRACKET - GEN 2

[www.hardin-marine.com](http://www.hardin-marine.com)

BRACKET CAN BE MOUNTED ON EITHER SIDE FRONT AND BACK.

FITS BOTH 120-6560 6M & 120-6564 6M-3L MSD BOXES.

FITS BOTH ROUND COILS & 120-8207 MSD BLASTER SS COIL



THIS DRAWING IS CONFIDENTIAL AND IS SUPPLIED ON EXPRESS CONDITION THAT IT SHALL NOT BE LENT, COPIED OR DISCLOSED TO ANY OTHER PERSON OR USED FOR ANY OTHER PURPOSE WITHOUT WRITTEN CONSENT OF HARDIN MARINE INC.. BREACH OF THIS CONTRACT WILL HOLD ..... AND IT'S PRINCIPALS LIABLE FOR LOSS AND DAMAGES.