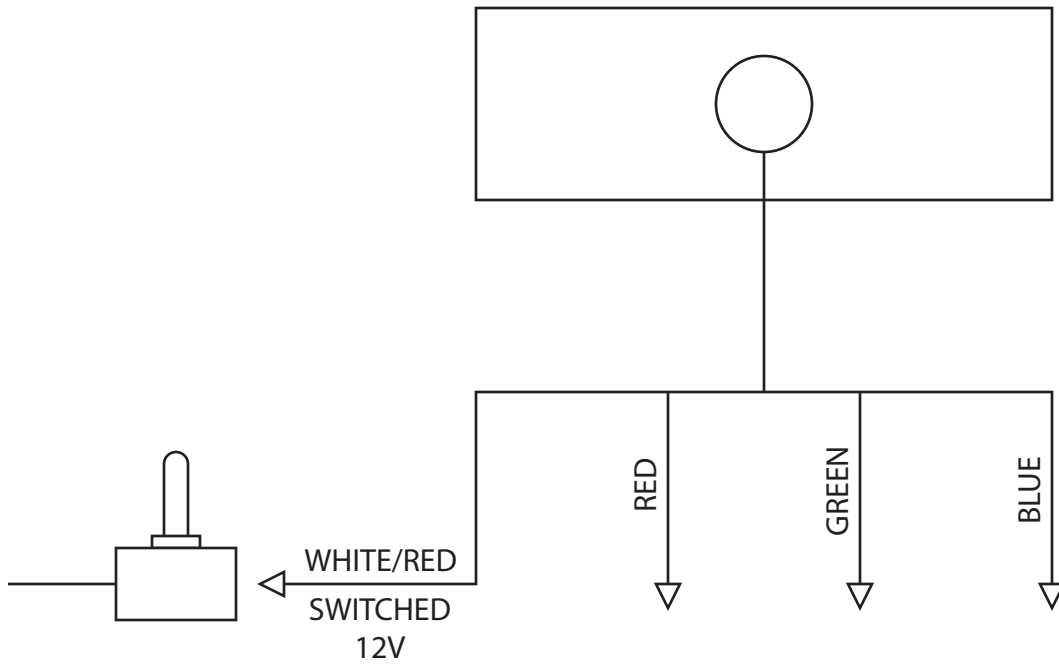


RGB SPECTRUM LIGHTS



Black wire will always go to 12v. The Red, Green and Blue wires are always to ground if used. See color chart below for LED color wiring options.

| LED LIGHT COLOR | RED | GREEN | BLUE | YELLOW | PURPLE | TEAL | WHITE |
|-----------------|------|-------|------|--------|--------|------|-------|
| WIRE COLOR | | | | | | | |
| WHITE/RED | 12V+ | 12V+ | 12V+ | 12V+ | 12V+ | 12V+ | 12V+ |
| RED | 12V- | | | 12V- | 12V- | | 12V- |
| GREEN | | 12V- | | 12V- | | 12V- | 12V- |
| BLUE | | | 12V- | | 12V- | 12V- | 12V- |

12V+ = POSITIVE

12V- = GROUND