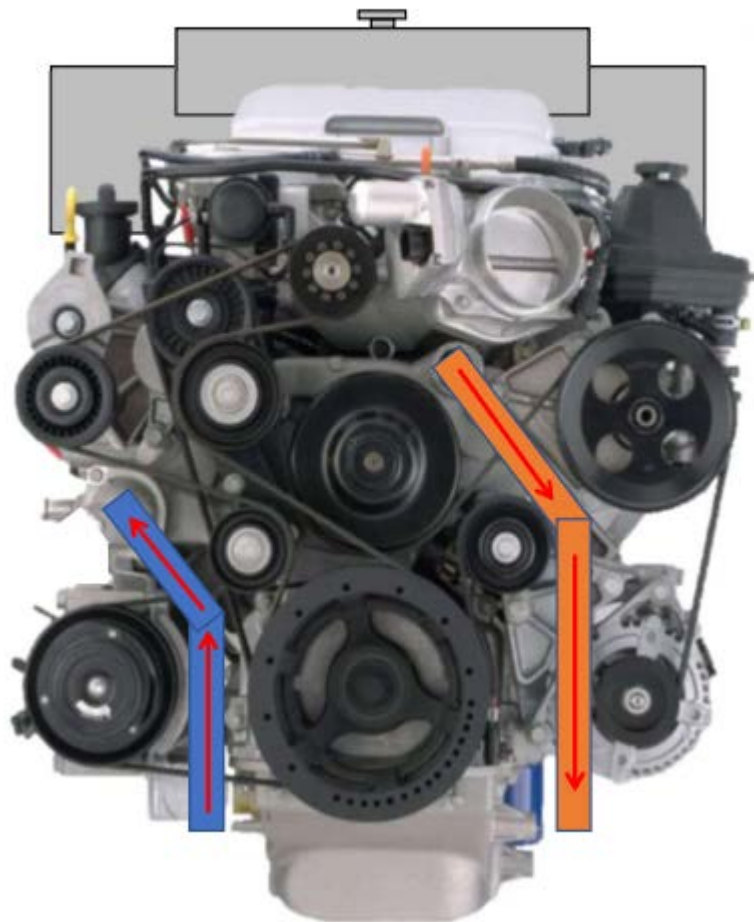


LSA Rear Mounted Engine Coolant Heat Exchange Unit

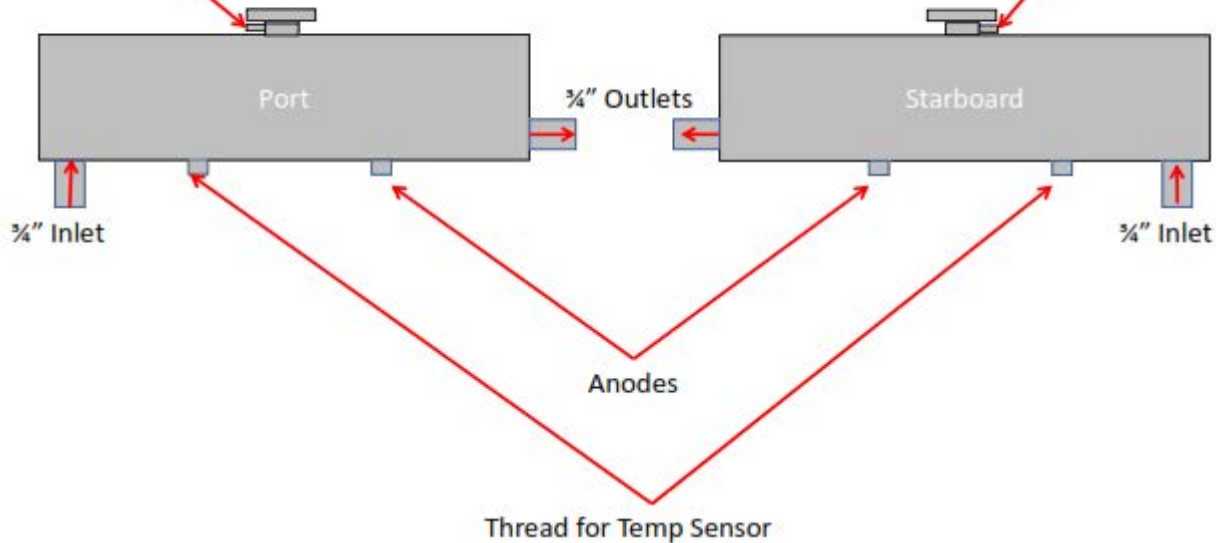


Supercharger Cooling Tanks x2

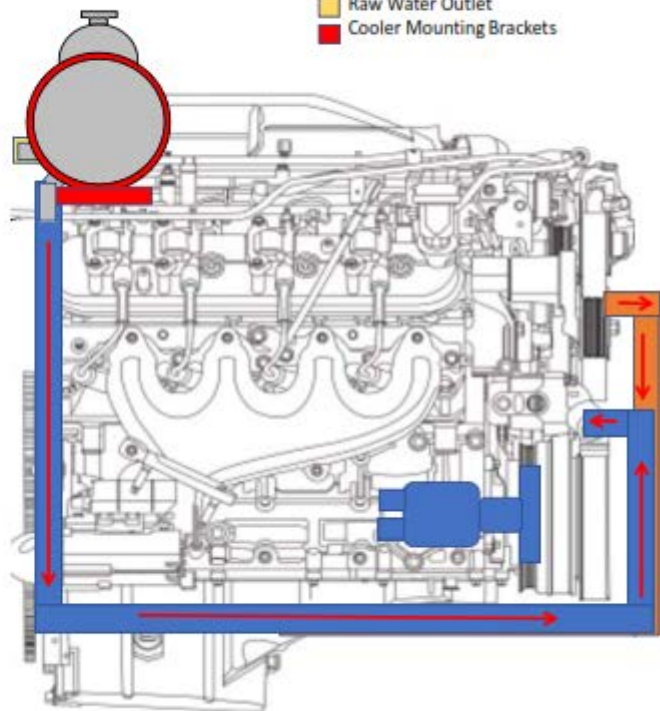
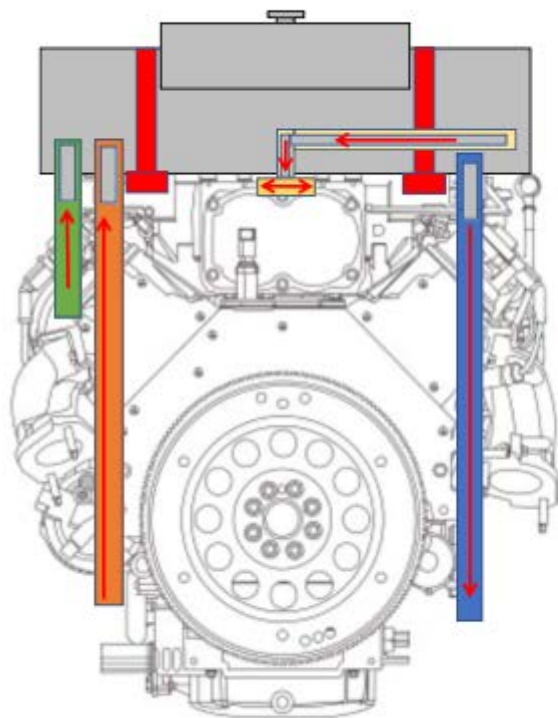
Looking from Transom Side

Header Tank Overflow Outlet

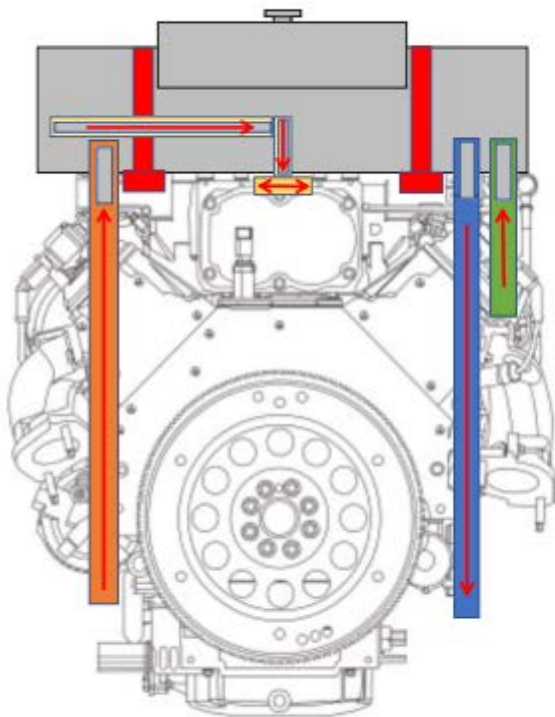
Header Tank Overflow Outlet



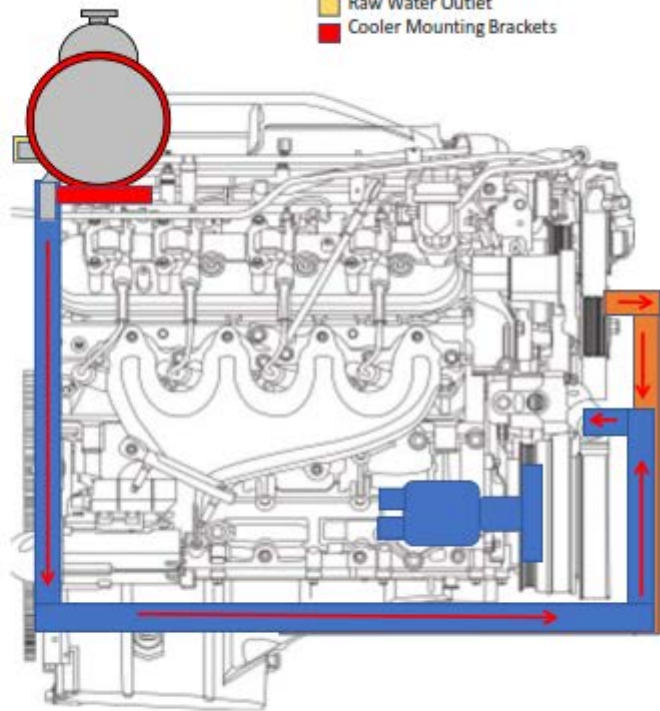
- Raw Water Inlet
- Engine Coolant Inlet
- Engine Coolant Outlet
- Raw Water Outlet
- Cooler Mounting Brackets



Port Side Engine Cooling System



- Raw Water Inlet
- Engine Coolant Inlet
- Engine Coolant Outlet
- Raw Water Outlet
- Cooler Mounting Brackets



Starboard Side Engine Cooling System