

HARDIN MARINE 11 Industry Dr. Palm Coast, FL 32137
386-445-2500 / FAX 386-445-1122

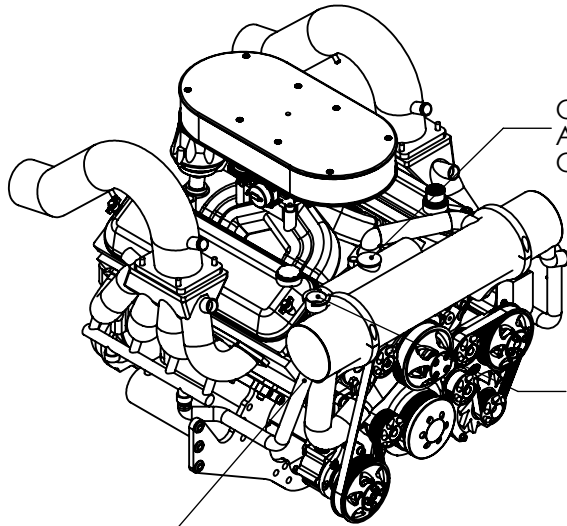
PART NO.
625-4544

TITLE:

HEAT EXCHANGER

625-4555 THERMOSTAT HOUSING,
540-160106 142° THERMOSTAT,
625-4573 HOSE & CLAMPS.

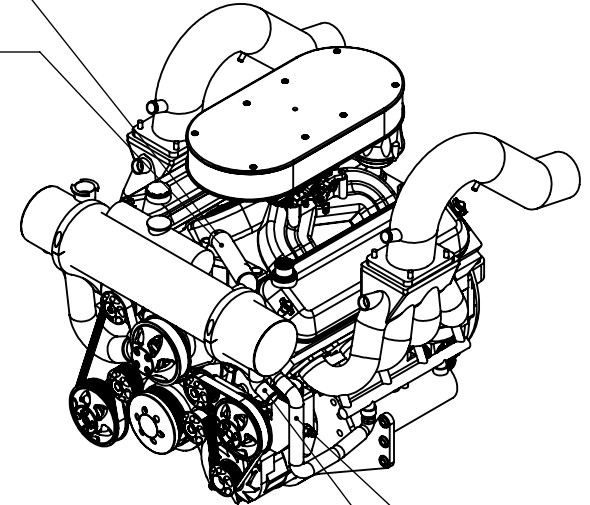
1" WATER OUTLET TO EXHAUST



OVER FLOW TANK. KEEP HALF FULL WHEN COLD.
ATTACHED THE SUPPLIED 5/16 HOSE TO THE BARB
ON THE THE FILLER NECK. RUN DOWN TO BILGE.

MAIN COOLANT FILL.

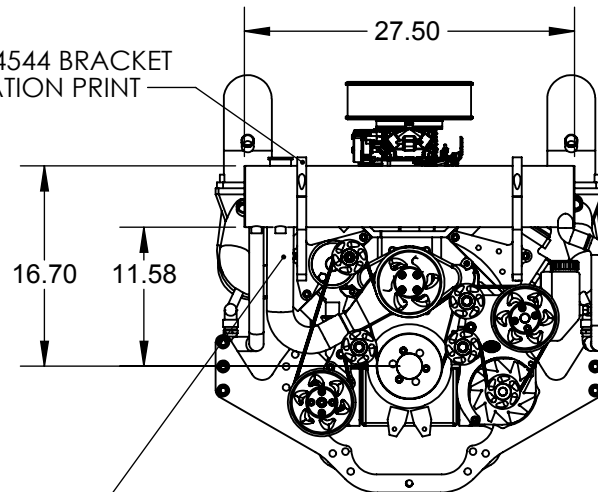
1" WATER OUTLET TO EXHAUST



1-1/4 FRESH WATER INLET

1" WATER OUTLET TO EXHAUST

SEE 625-4544 BRACKET
INSTALLATION PRINT



625-4554 HOSE &
100-720-6328 CLAMPS

SHOWN WITH OPTIONAL 625-8302
SERPENTINE KIT. 1-1/4 WATER INLET
HOSE AND BOTH 1" WATER OUTLET
HOSE NOT INCLUDED.

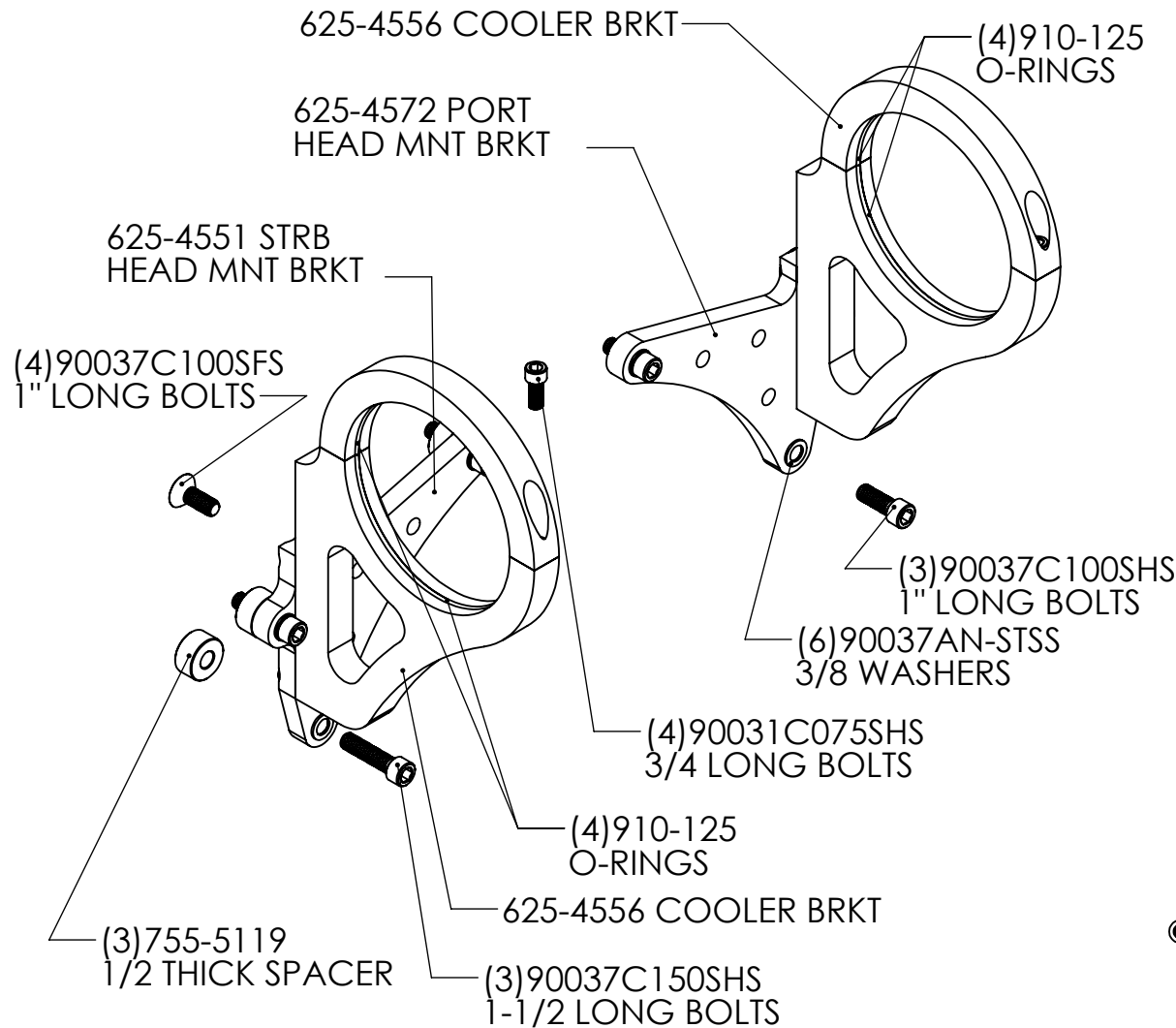
INSTALLATION INSTRUCTIONS:

- 1) FOLLOW THE 625-4544 BRACKET MOUNTING INSTRUCTIONS.
- 2) INSTALL 625-4554 HOUSE ON CIRCULATING PUMP.
- 3) INSTALL 540-160106 THERMOSTAT IN THE INTAKE. APPLY GREASE TO THE THERMOSTAT HOUSING O-RING. APPLY LOCTITE TO THE 3/4 LONG BOLTS. DO NOT TORQUE THE BOLTS YET. INSTALL 625-4573 HOSE ON THE THERMOSTAT HOUSING.
- 4) SLIDE HEAT EXCHANGER INTO THE BRACKETS AND ON TO THE HOSES. APPLY LOCTITE TO THE BOLTS AND TORQUE TO 20 FT. LBS..
- 5) TORQUE THERMOSTAT HOUSING TO 30 FT LBS..
- 6) ATTACH 1-1/4 WATER INLET HOSE AND BOTH 1" WATER OUTLET HOSES.

HARDIN MARINE 11 Industry Dr. Palm Coast, FL 32137
386-445-2500 / FAX 386-445-1122

PART NO.
625-4544

TITLE:
HEAT EXCHANGER MOUNTING BRACKETS



MOUNTING INSTRUCTIONS:

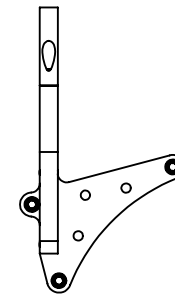
1) ATTACH 625-4556 OIL COOLER BRACKETS TO HEAD MOUNT BRACKETS. APPLY LOCTITE TO THE (4) 90037C100SFS BOLTS & INSERT THROUGH THE COUNTERSUNK SIDE OF THE BRACKET. TORQUE TO 30 FT. LBS..

2) THE PORT SIDE BRACKET ASSEMBLY MOUNTS DIRECTLY ON THE HEAD. APPLY LOCTITE TO THE (3) 90037C100SHS BOLTS WITH WASHERS, TORQUE TO 30 FT. LBS..

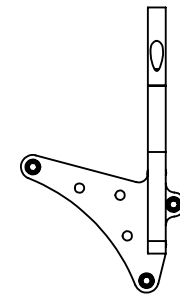
3) THE STARBOARD SIDE BRACKET IS SPACED OFF THE HEAD BY THE (3) 755-5119 SPACERS. APPLY LOCTITE TO THE (3) 90037C150SHS BOLTS WITH WASHERS, TORQUE TO 30 FT. LBS..

4) MAKE SURE THE 900-125 ORINGS ARE INSTALLED IN THE BRACKETS.

5) AFTER INSTALLING THE HEAT EXCHANGER, APPLY LOCTITE TO (4) 90031C075SHS BOLTS AND TORQUE TO 20 FT. LBS..



STARBOARD HEAD



PORT SIDE