

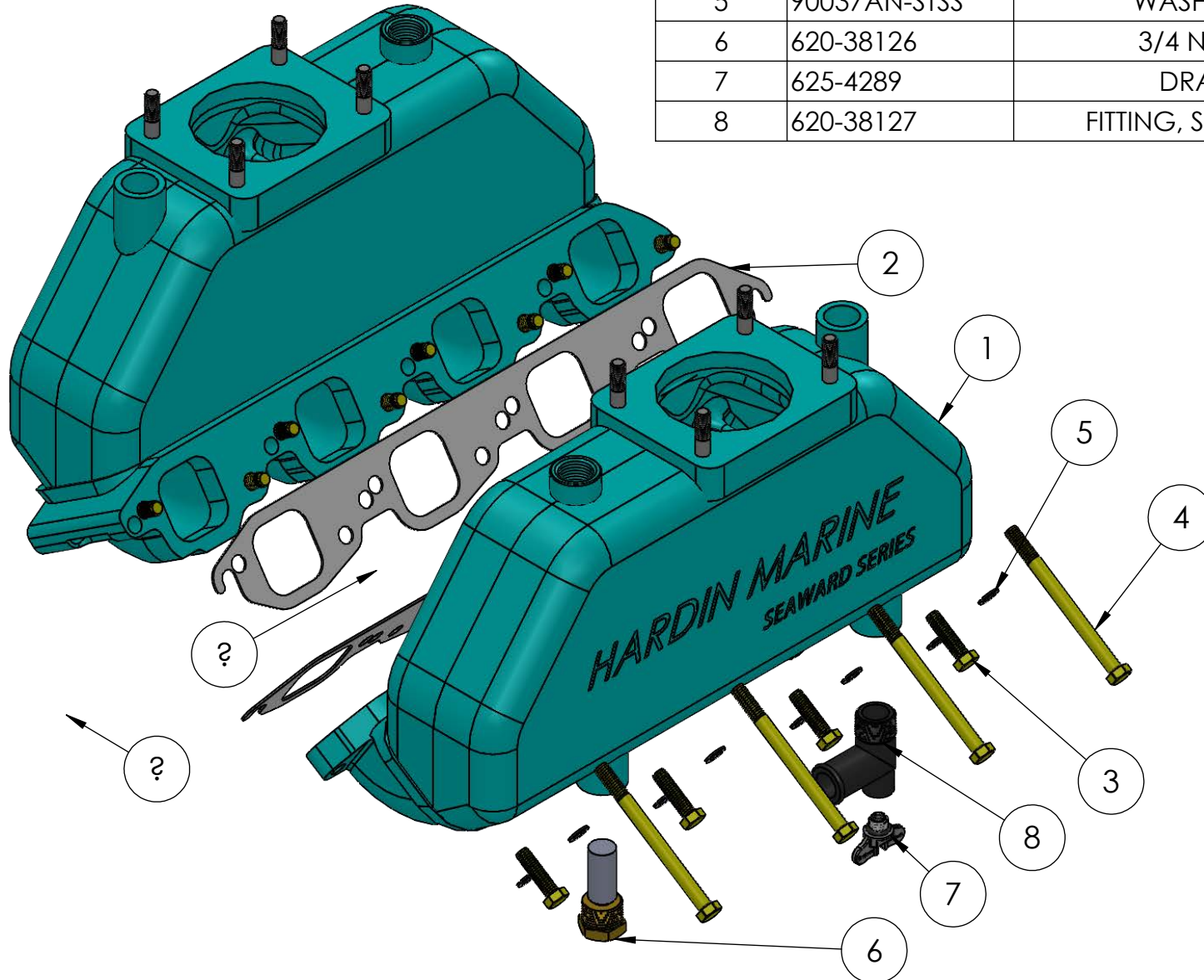
HARDIN MARINE 11 Industry Dr. Palm Coast, FL 32137
386-445-2500 / FAX 386-445-1122

PART NO.
620-38032

ITEM NO.	PART NUMBER	DESCRIPTION	QTY.
1	620-38001	MANIFOLD ASSEMBLY	2
2	300-1413	GASKET	2
3	90037C137HH5	BOLT, 3/8-16	8
4	90037C450HH5	BOLT, 3/8-16	8
5	90037AN-STSS	WASHER, 3/8 AN	16
6	620-38126	3/4 NPT ANODE	2
7	625-4289	DRAIN PLUG	2
8	620-38127	FITTING, SEAWARD INLET	2

TITLE: SEAWARD BBC MANIFOLDS PARTS
BREAKDOWN 620-38000& 620-38100

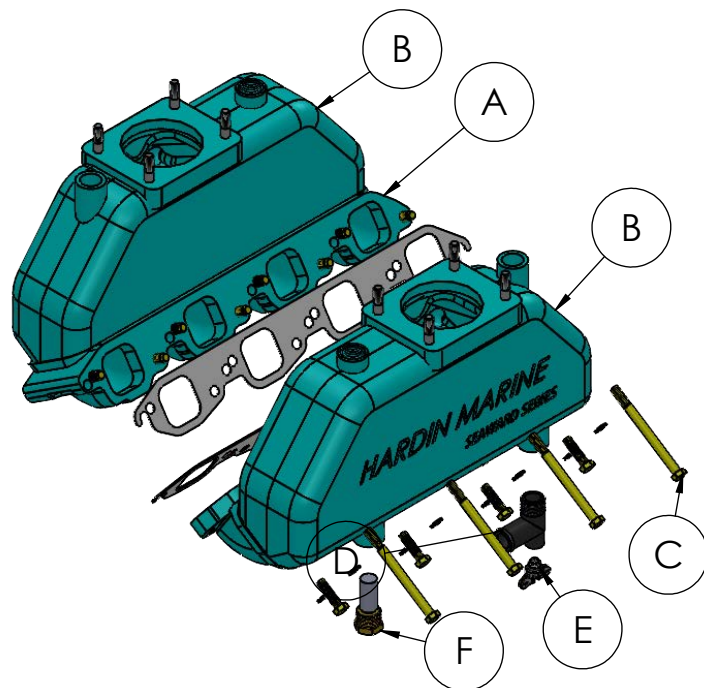
www.hardin-marine.com



THIS DRAWING IS CONFIDENTIAL AND IS SUPPLIED ON EXPRESS CONDITION THAT IT SHALL NOT BE LENT, COPIED OR DISCLOSED TO ANY OTHER PERSON OR USED FOR ANY OTHER PURPOSE WITHOUT WRITTEN CONSENT OF HARDIN MARINE INC.. BREACH OF THIS CONTRACT WILL HOLD AND IT'S PRINCIPALS LIABLE FOR LOSS AND DAMAGES.

TITLE: SEAWARD BBC MANIFOLDS INSTALLATION
620-38000 & 620-38100

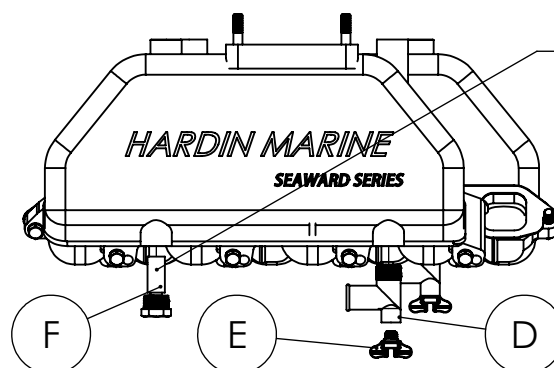
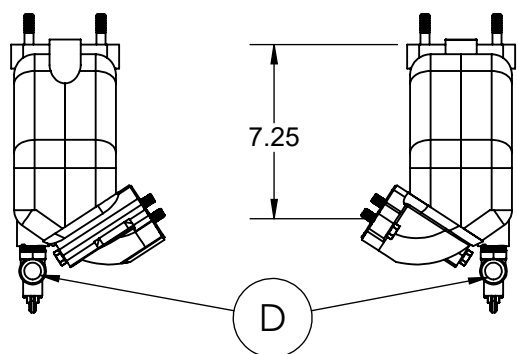
www.hardin-marine.com



INSTALLATION INSTRUCTIONS:

- 1) MAKE SURE CYLINDER HEAD EXHAUST MOUNTING SURFACE IS FREE OF KNICKS AND ANY OLD GASKET MATERIAL IS REMOVED. SEALANT IS NOT REQUIRED ON THE NEW SUPPLIED GASKETS, FIG. A.
- 2) THE PORT AND STARBOARD MANIFOLDS ARE THE SAME PART AND CAN BE USED ON EITHER SIDE OF THE ENGINE, FIG. B.
- 3) INSTALL MANIFOLDS WITH THE SUPPLIED 3/8 BOLTS AND WASHERS. APPLY ANTI-SIEZE TO 3/8 MOUNTING BOLTS, FIG. C . USING 9/16 SOCKET, TORQUE TO 30 FT. LBS..
- 4) SIDE VIEW BELOW AND ISOMETRIC VIEW TO THE LEFT SHOWS PORT SIDE TYPICAL WATER INLET POSITION. INSTALL 1" HOSE BARB FITTING INTO BOTTOM OF THE MANIFOLD, FIG. D. NO ADDITIONAL SEALANT IS NEEDED. CAREFULL NOT TO CROSS THREAD THE FITTING. DO NOT OVER TIGHTEN.
- 5) INSTALL DRAIN PLUG, FIG E, INTO THE BOTTOM OF THE INLET FITTING.
- 6) USING 1-1/16 WRENCH, INSTALL 3/4 ANODE PLUG, FIG. F, INTO THE OPPOSITE WATER INLET BUNG. NO ADDITIONAL SEALANT IS NEEDED.
- 7) ATTACH 1" WATER INLET HOSE FROM THERMOSTAT HOUSING TO FIG. E FITTINGS (MAKE SURE IT IS A CONSTANT FLOW WATER SUPPLY).
- 8) GO TO 620-38036 TAILPIPE INSTRUCTIONS TO COMPLETE INSTALLATION.

CAUTION HARDIN MARINE MANIFOLD SYSTEMS ARE DESIGNED FOR USE ON ENGINES WITH FULL TIME CONSTANT WATER CIRCULATION AT ALL TIMES. NOTE** AFTER APPROXIMATELY 2-5 HOURS USE OR NUMEROUS ENGINE HEAT CYCLES ALL HARDWARE MUST BE RETORQUED AND OR TIGHTENED.**



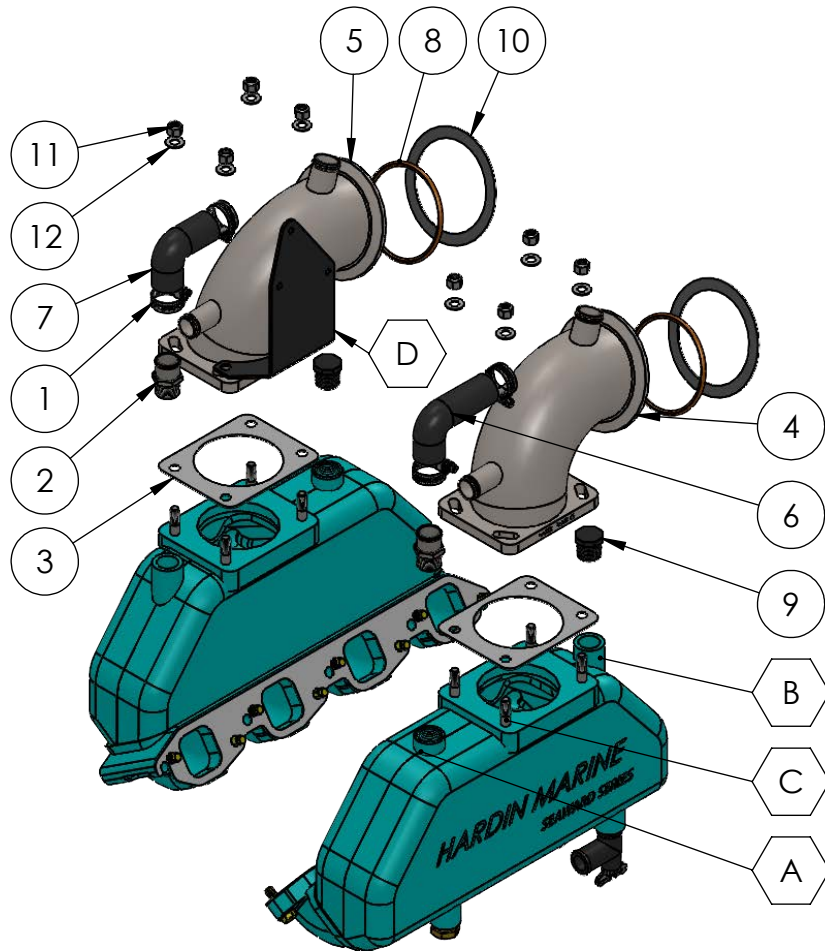
WARNING ANODES ARE A SERVICEABLE PART AND SHOULD BE INSPECTED ROUTINELY DEPENDING ON THE NATURE OF THE BOATING ENVIRONMENT.**

HARDIN MARINE 11 Industry Dr. Palm Coast, FL 32137
386-445-2500 / FAX 386-445-1122

PART NO.
620-38041

TITLE:
SEAWARD 525 RISER INSTALLATION

www.hardin-marine.com



ITEM NO.	PART NUMBER	DESCRIPTION	QTY.
1	100-720-6316	HOSE CLAMP	4
2	540-222132	FITTING, 1" BARB	2
3	620-38006	RISER GASKET	2
4	620-38020	RISER, MERC 525 PORT	1
5	620-38021	RISER, MERC 525 STRB	1
6	620-38029	HOSE, RISER - PORT	1
7	620-38030	HOSE, RISER - STRB	1
8	620-38056	O-RING, SEAWARD 525 RISER	2
9	625-2086	PLUG, PIPE - 3/4 NPT	2
10	650-34190	GASKET, 525 TAILPIPE	2
11	90037CN-FNSS	NUT, 3/8-16	8
12	90037SA-STSS	WASHER, 3/8 SAE	8

INSTALLATION INSTRUCTIONS:

- 1) APPLY LIQUID THREAD SEALANT TO THE SUPPLIED 1" HOSE BARB FITTINGS & 3/4 NPT PIPE PLUGS.
- 2) USING 1-1/16 WRENCH, INSTALL #2 HOSE BARB FITTINGS INTO FRONT OF THE MANIFOLDS, FIG. A.
- 3) USING 1-1/8 WRENCH, INSTALL #9 PIPE PLUGS INTO THE REAR OF THE MANIFOLDS, FIG.B.
- 4) APPLY ANTI-SIEZE TO THE 8 STUDS, FIG. C.
- 5) SLIDE #3 GASKETS OVER STUDS E. DO NOT USE SEALANT ON THE GASKETS.
- 6) INSTALL #6 AND #7 RISERS.
- 7) INSTALL FIG, D, 620-38066 SHIFT BRACKET OVER THE INSIDE STUDS ON THE STARBOARD RISER. FOLLOW INSTALLATION INSTRUCTONS THAT COMES WITH THE BRACKET.
- 8) INSTALL #12 WASHERS AND # 11NUTS. USING A 9/16 CROWS FOOT, TORQUE TO 30 FT. LBS..
- 9) INSTALL #6 AND #7 JUMPER HOSES WITH #1 HOSE CLAMPS.
- 10) THE TAILPIPE FLANGE IS GROOVED TO INSTALL #8 O-RING. INSTALL # 10 GASKETS AND STOCK TAILPIPES. YOU REUSE THE STOCK T-BOLT CLAMPS AND JUMP HOSES.

CAUTION HARDIN MARINE MANIFOLD SYSTEMS ARE DESIGNED FOR USE ON ENGINES WITH FULL TIME CONSTANT WATER CIRCULATION AT ALL TIMES. NOTE** AFTER APPROXIMATELY 2-5 HOURS USE OR NUMEROUS ENGINE HEAT CYCLES ALL HARDWARE MUST BE RETORQUED AND OR TIGHTENED.**

THIS DRAWING IS CONFIDENTIAL AND IS SUPPLIED ON EXPRESS CONDITION THAT IT SHALL NOT BE LENT, COPIED OR DISCLOSED TO ANY OTHER PERSON OR USED FOR ANY OTHER PURPOSE WITHOUT WRITTEN CONSENT OF HARDIN MARINE INC.. BREACH OF THIS CONTRACT WILL HOLD AND IT'S PRINCIPALS LIABLE FOR LOSS AND DAMAGES.

HARDIN MARINE 11 Industry Dr. Palm Coast, FL 32137
386-445-2500 / FAX 386-445-1122

PART NO.
620-38057

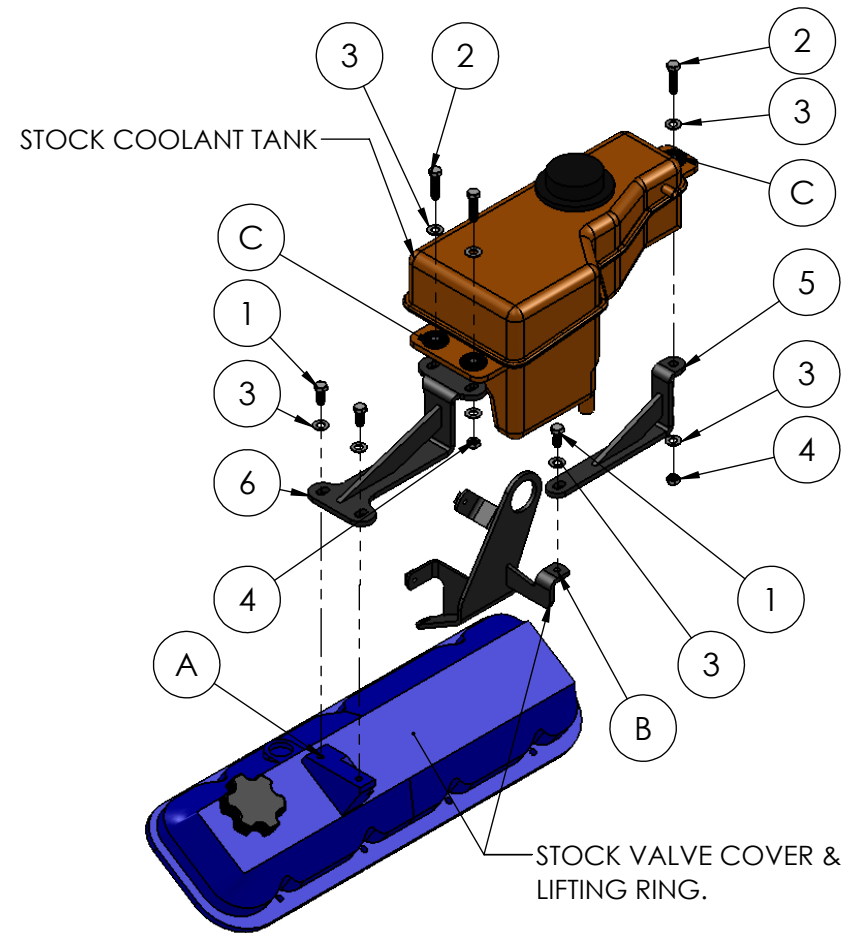
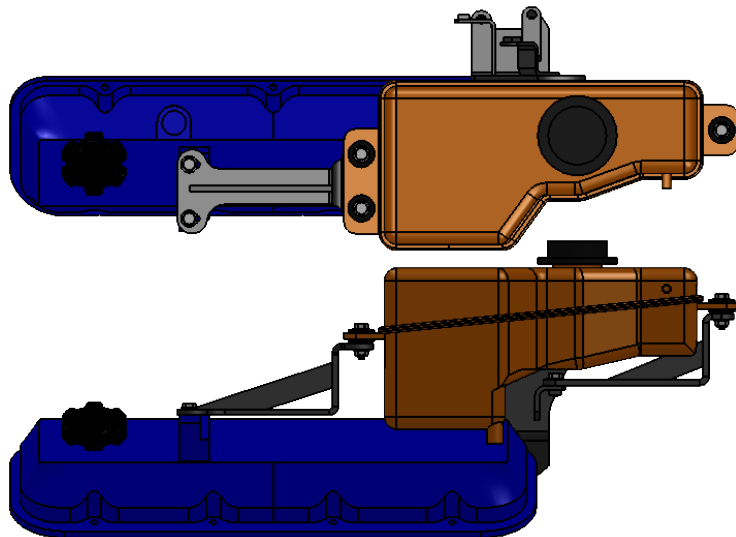
TITLE:
525 COOLANT TANK RELOCATION BRKTS.

www.hardin-marine.com

INSTALLATION INSTRUCTIONS:

- 1) UNBOLT COOLANT TANK FROM VALVE COVER AND LIFTING RING BRACKET.
- 2) APPLY ANTI SIEZE TO THE NEW 5/16-18 BOLTS THAT COME IN THE KIT.
- 3) INSTALL 620-33556 BRACKET, #6 TO THE VALVE COVER HOLES, FIG. A. USE #1 BOLTS AND #3 WASHERS. DO NOT TIGHTEN YET.
- 4) INSTALL 620-33553 BRACKET, #5, TO THE LIFTING RING BRACKET, FIG. B. USE #1 BOLT AND #3 WASHERS. DO NOT TIGHTEN.
- 5) INSTALL #2 BOLTS AND #3 WASHERS INTO THE COOLANT TANK GROMMETS, FIG. C.
- 6) INSTALL COOLANT TANK ONTO THE NEW RELOCATION BRACKET. USE #3 WASHER AND #4 NUTS. DO NOT TIGHTEN.
- 7) RECONNECT HOSES FROM HEAT EXCHANGER.
- 8) AFTER MANIFOLDS AND RISERS ARE INSTALL. POSITION COOLANT TANK AWAY FROM THE RISERS. TIGHTEN ALL BOLTS TO 20 FT. LBS..

ITEM NO.	PART NUMBER	DESCRIPTION	QTY.
1	90031C075HHS	BOLT, 5/16-18	3
2	90031C125HHS	BOLT, 5/16-18	3
3	90031SA-STSS	WASHER, 5/16 SAE	9
4	90031CN-HNSS	NUT, NYLON, HALF, 5/16-18	3
5	620-33553	BRACKET, SEAWARD 525 COOLANT TANK	1
6	620-33556	BRACKET, SEAWARD 525 COOLANT TANK	1



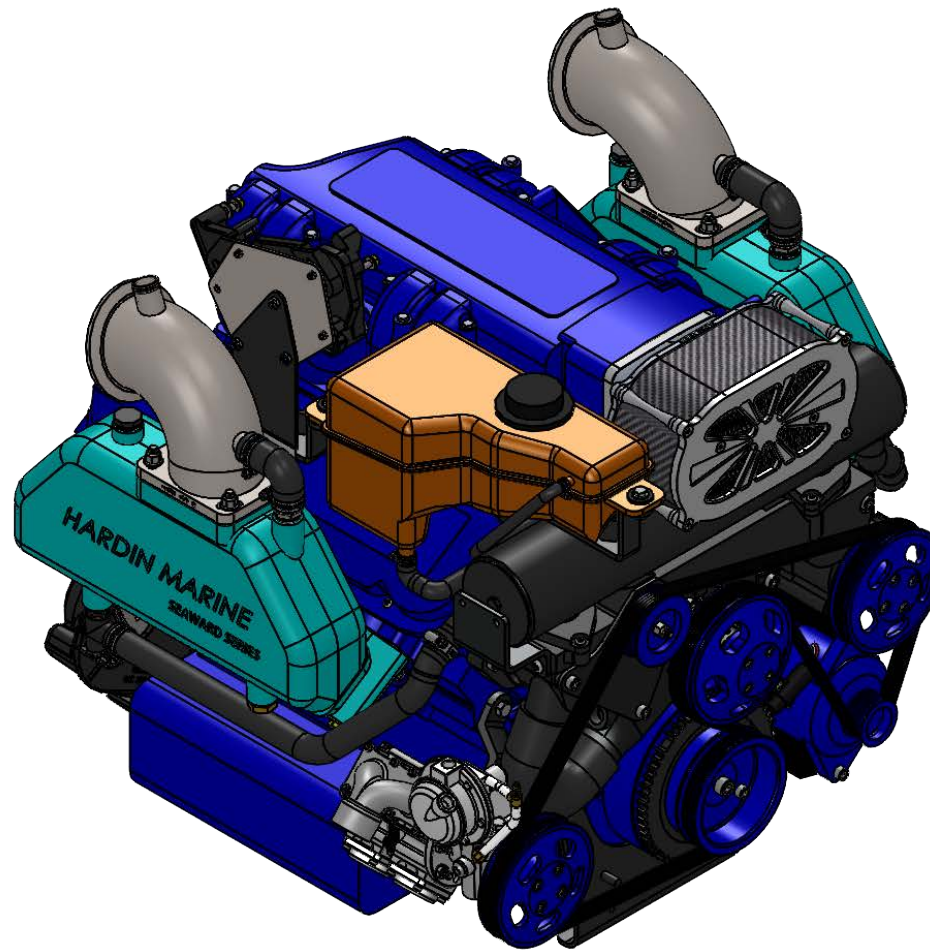
THIS DRAWING IS CONFIDENTIAL AND IS SUPPLIED ON EXPRESS CONDITION THAT IT SHALL NOT BE LENT, COPIED OR DISCLOSED TO ANY OTHER PERSON OR USED FOR ANY OTHER PURPOSE WITHOUT WRITTEN CONSENT OF HARDIN MARINE INC.. BREACH OF THIS CONTRACT WILL HOLD AND IT'S PRINCIPALS LIABLE FOR LOSS AND DAMAGES.

HARDIN MARINE 11 Industry Dr. Palm Coast, FL 32137
386-445-2500 / FAX 386-445-1122

PART NO.
620-38057

TITLE:
525 COOLANT TANK RELOCATION BRKTS.

www.hardin-marine.com



620-38057 INSTALLED VIEW

THIS DRAWING IS CONFIDENTIAL AND IS SUPPLIED ON EXPRESS CONDITION THAT IT SHALL NOT BE LENT, COPIED OR DISCLOSED TO ANY OTHER PERSON OR USED FOR ANY OTHER PURPOSE WITHOUT WRITTEN CONSENT OF HARDIN MARINE INC.. BREACH OF THIS CONTRACT WILL HOLD AND IT'S PRINCIPALS LIABLE FOR LOSS AND DAMAGES.

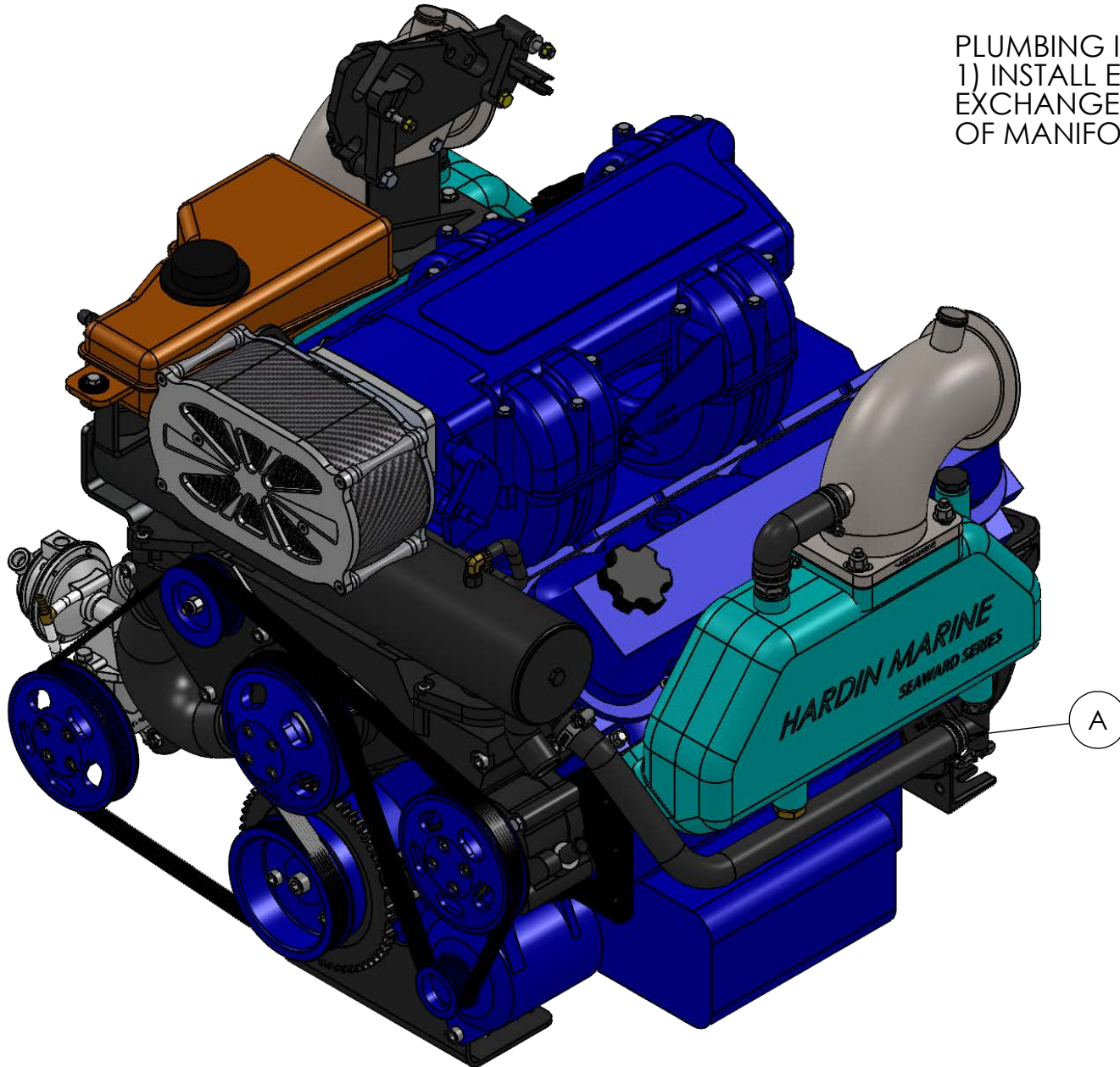
HARDIN MARINE 11 Industry Dr. Palm Coast, FL 32137
386-445-2500 / FAX 386-445-1122

PART NO.
620-38040

www.hardin-marine.com

TITLE:
SEAWARD 525 PORT SIDE INSTRUCTIONS

PLUMBING INSTRUCTIONS:
1) INSTALL EXISTING HOSE FROM HEAT EXCHANGER TO WATER INLET ON BOTTOM OF MANIFOLD, FIG A.



THIS DRAWING IS CONFIDENTIAL AND IS SUPPLIED ON EXPRESS CONDITION THAT IT SHALL NOT BE LENT, COPIED OR DISCLOSED TO ANY OTHER PERSON OR USED FOR ANY OTHER PURPOSE WITHOUT WRITTEN CONSENT OF HARDIN MARINE INC.. BREACH OF THIS CONTRACT WILL HOLD AND IT'S PRINCIPALS LIABLE FOR LOSS AND DAMAGES.

HARDIN MARINE 11 Industry Dr. Palm Coast, FL 32137
386-445-2500 / FAX 386-445-1122

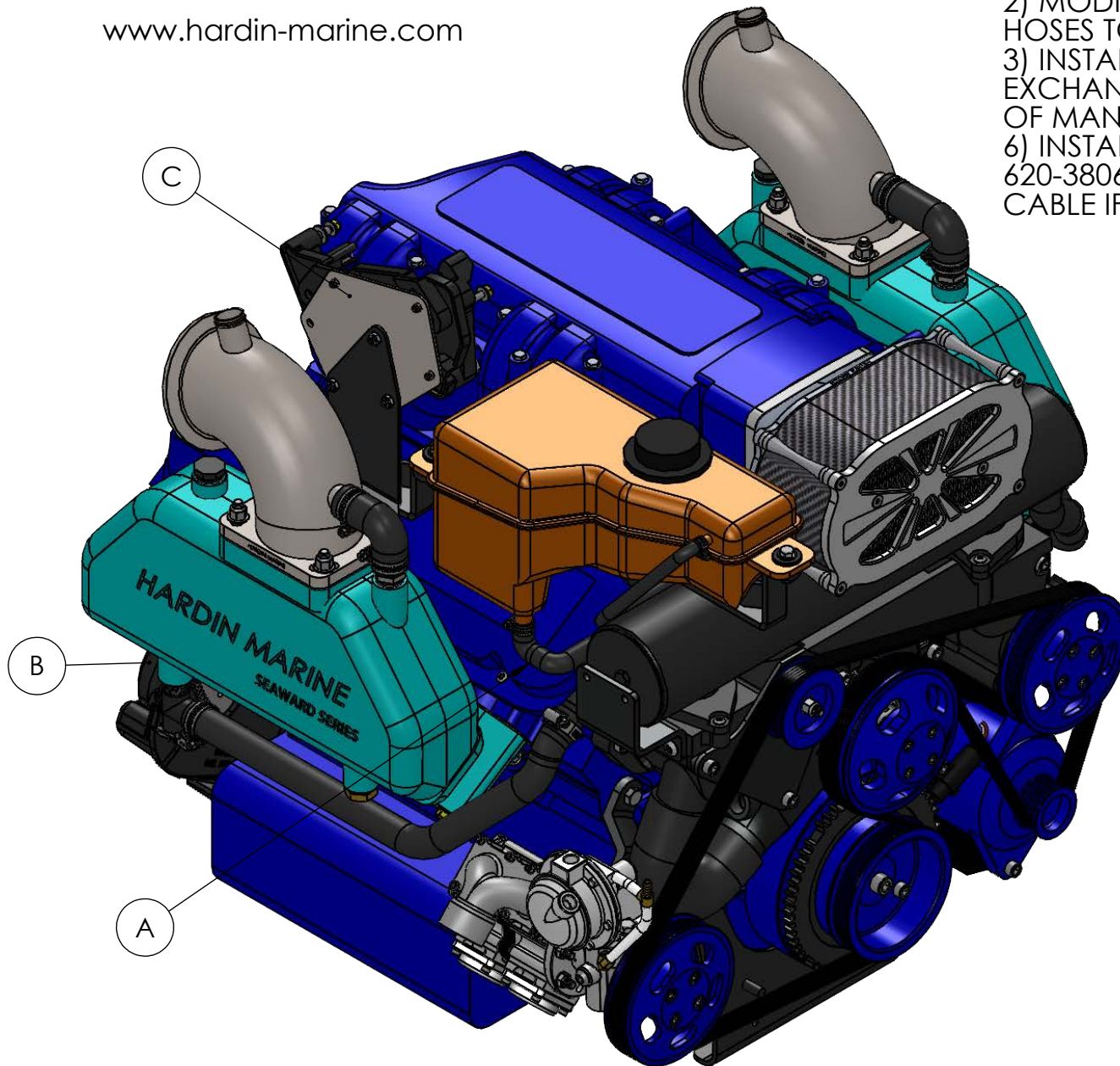
PART NO.
620-38040

TITLE:
SEAWARD 525 STRD SIDE INSTRUCTIONS

www.hardin-marine.com

INSTALLATION INSTRUCTIONS:

- 1) INSTALL 620-38057 COOLANT TANK RELOCATION BRACKETS, USING 620-38057I INSTRUCTIONS.
- 2) MODIFY THE STOCK COOLANT TANK HOSES TO FIT THE NEW LOCATION, FIG A.
- 3) INSTALL EXISTING HOSE FROM HEAT EXCHANGER TO WATER INLET ON BOTTOM OF MANIFOLD, FIG B.
- 6) INSTALL THE STOCK SHIFT BRACKET TO 620-38066 SHIFT BRACKET, FIG C. RE-ADJUST CABLE IF NEEDED.



THIS DRAWING IS CONFIDENTIAL AND IS SUPPLIED ON EXPRESS CONDITION THAT IT SHALL NOT BE LENT, COPIED OR DISCLOSED TO ANY OTHER PERSON OR USED FOR ANY OTHER PURPOSE WITHOUT WRITTEN CONSENT OF HARDIN MARINE INC.. BREACH OF THIS CONTRACT WILL HOLD AND IT'S PRINCIPALS LIABLE FOR LOSS AND DAMAGES.

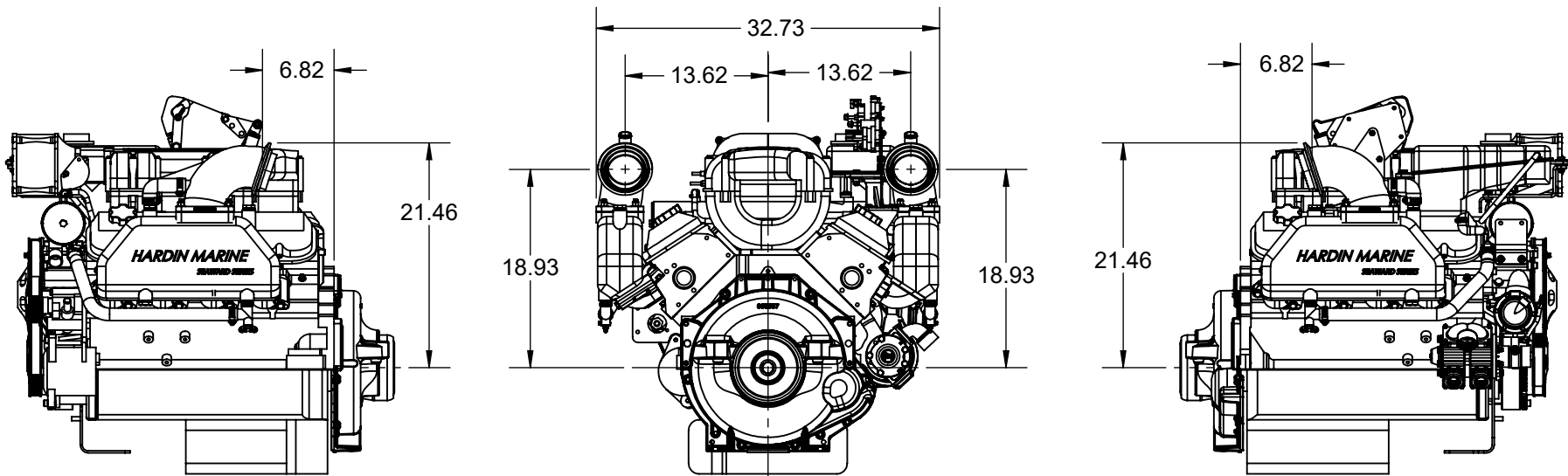
HARDIN MARINE 11 Industry Dr. Palm Coast, FL 32137
386-445-2500 / FAX 386-445-1122

PART NO.
620-38040

TITLE:

SEAWARD 525 DIMENSIONS

www.hardin-marine.com



THIS DRAWING IS CONFIDENTIAL AND IS SUPPLIED ON EXPRESS CONDITION THAT IT SHALL NOT BE LENT, COPIED OR DISCLOSED TO ANY OTHER PERSON OR USED FOR ANY OTHER PURPOSE WITHOUT WRITTEN CONSENT OF HARDIN MARINE INC.. BREACH OF THIS CONTRACT WILL HOLD AND IT'S PRINCIPALS LIABLE FOR LOSS AND DAMAGES.

HARDIN
MARINE

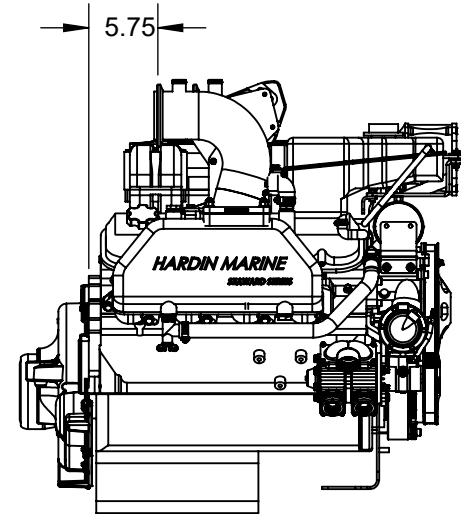
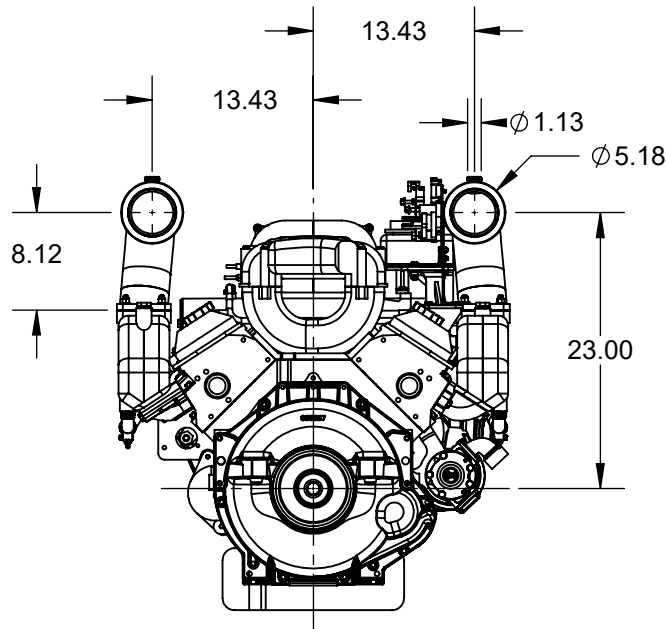
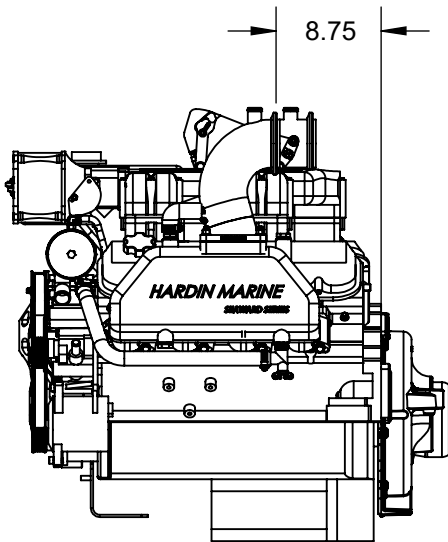
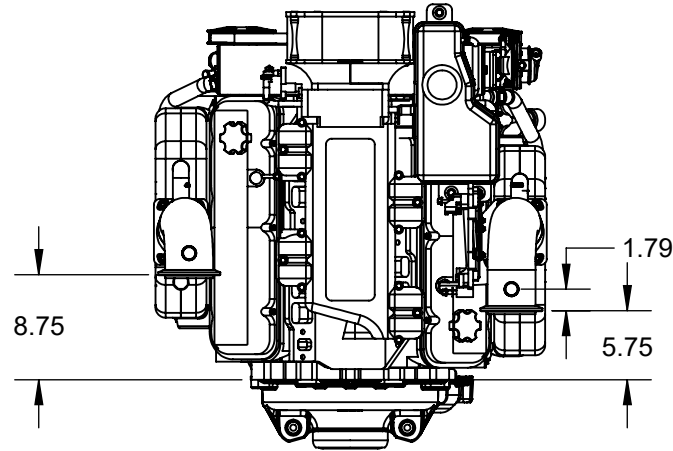
11 Industry Dr. Palm Coast, FL 32137
386-445-2500 / FAX 386-445-1122

PART NO.
620-38043

TITLE:

525 SEAWARD - 4" STRAIGHT BACK

www.hardin-marine.com



THIS DRAWING IS CONFIDENTIAL AND IS SUPPLIED ON EXPRESS CONDITION THAT IT SHALL NOT BE LENT, COPIED OR DISCLOSED TO ANY OTHER PERSON OR USED FOR ANY OTHER PURPOSE WITHOUT WRITTEN CONSENT OF HARDIN MARINE INC.. BREACH OF THIS CONTRACT WILL HOLD AND IT'S PRINCIPALS LIABLE FOR LOSS AND DAMAGES.