

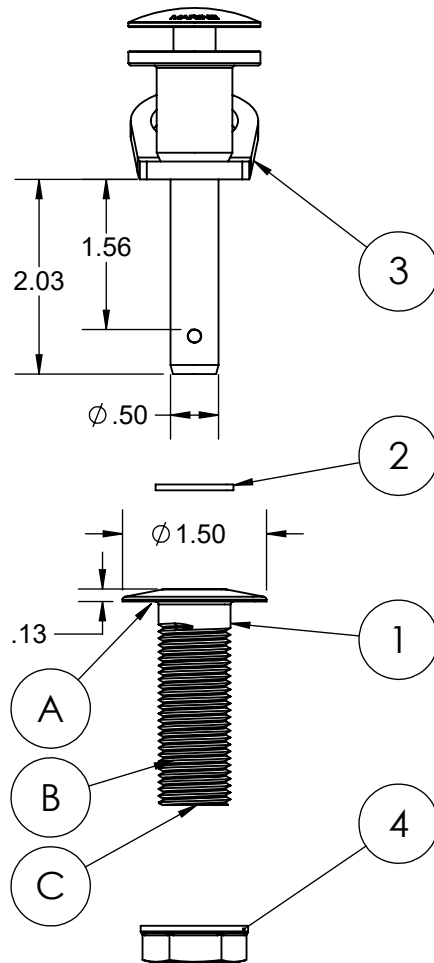
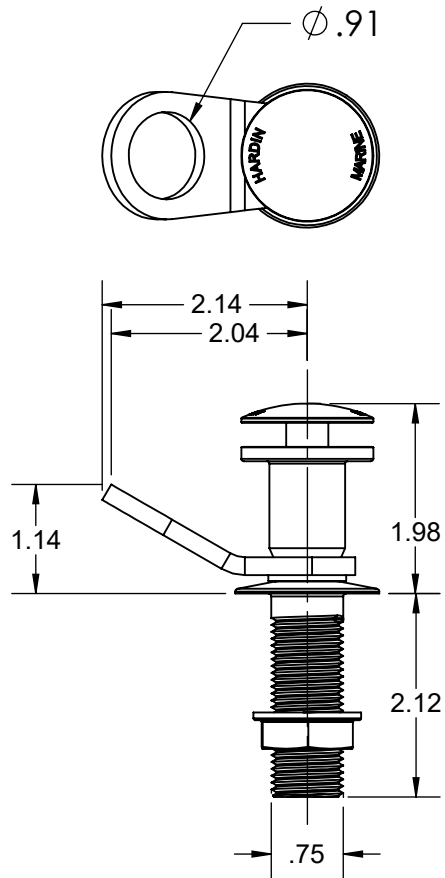
HARDIN MARINE 11 Industry Dr. Palm Coast, FL 32137  
386-445-2500 / FAX 386-445-1122

PART NO.  
620-142326

ITEM NO.	PART NUMBER	DESCRIPTION	QTY.
1	620-142321	BASE, 1/2 PIN CLEAT	1
2	90050AN-STPL	WASHER, NYLON - 1/2	1
3	620-142327	1/2 SOFT TOUCH QUICK RELEASE PIN	1
4	620-142323	NUT, 3/4-16	1

TITLE:  
1/2 SOFT TOUCH PIN CLEAT

www.hardin-marine.com



INSTALLATION INSTRUCTIONS:

- 1) DRILL  $\phi 3/4$  HOLE.
- 2) APPLY 5200 MARINE SEALANT UNDER THE HEAD OF #1 BASE, FIG.A.
- 3) INSTALL BASE INTO THE HOLE
- 4) APPLY ANTI SEIZE TO THE THREADS, FIG. B.
- 5) INSTALL #4 NUT. HOLD THE BASE IN PLACE BY INSTALLING A  $\phi 9/16$  ALLEN KEY INTO THE BOTTOM OF THE BASE, FIG.C. TIGHTEN NUT WITH 15/16 WRENCH.