

LIGHTED SWITCH, RING LED

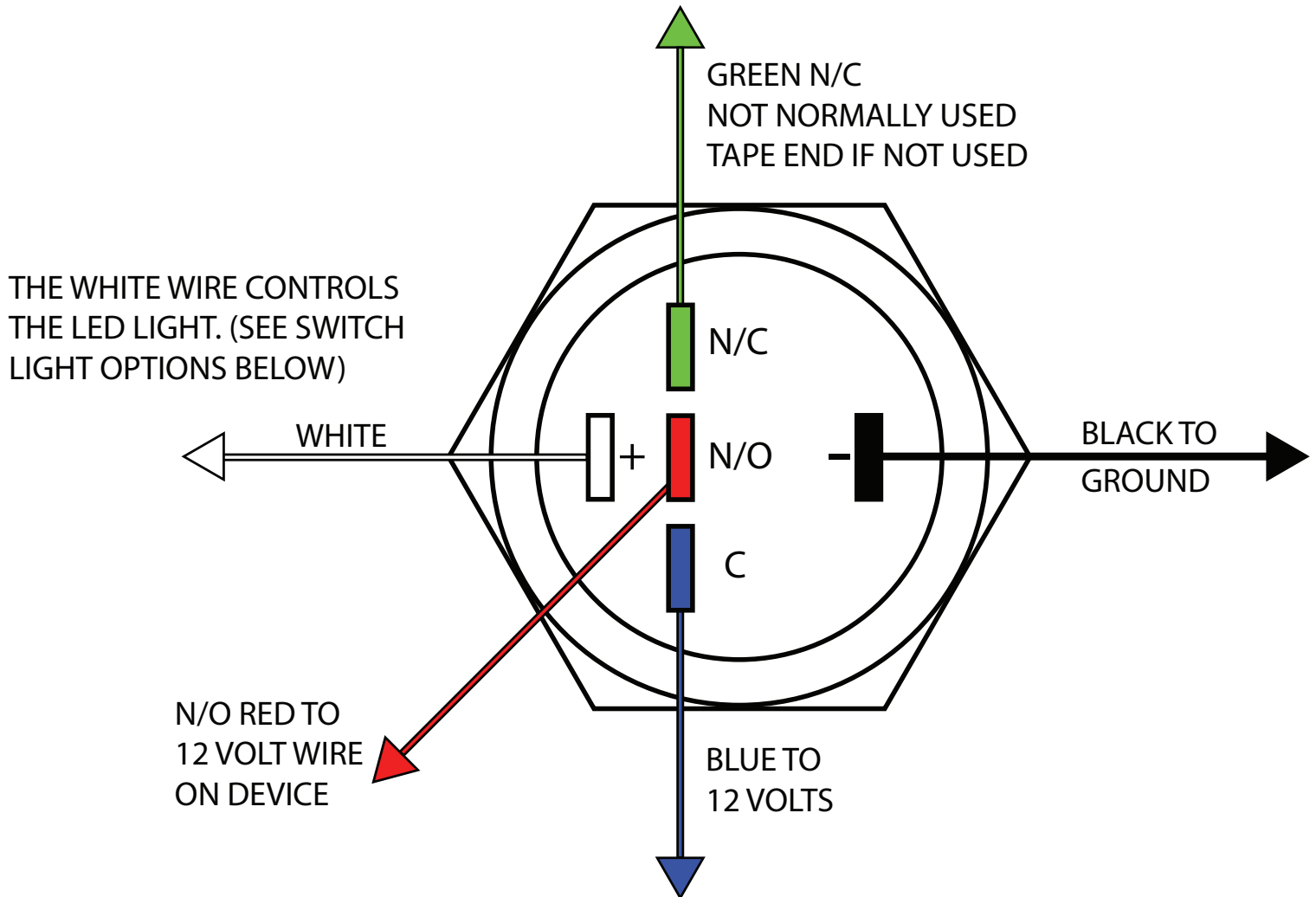
RED LED WHEN ON

Instruction Sheet 516-11

19 MM SWITCH, 10 AMP

516-9150-1000

516-9150-2000



SWITCH LIGHT OPTIONS

WHITE WIRE TO RED WIRE
WHITE WIRE TO GREEN WIRE
WHITE WIRE TO BLUE WIRE

LIGHT ON WHEN SWITCH ON
LIGHT ON WHEN SWITCH OFF
LIGHT ON BOTH ON AND OFF

WIRE COLOR CODES

GREEN	N/C HAS 12V WHEN SWITCH OFF
RED	N/O 12 VOLT OUTPUT TO DEVICE
BLUE	CONNECTS TO 12 VOLT INPUT
BLACK	CONNECTS TO GROUND
WHITE	LED CONTROL