

HARDIN MARINE 11 Industry Dr. Palm Coast, FL 32137
386-445-2500 / FAX 386-445-1122

PART NO.
420-913027

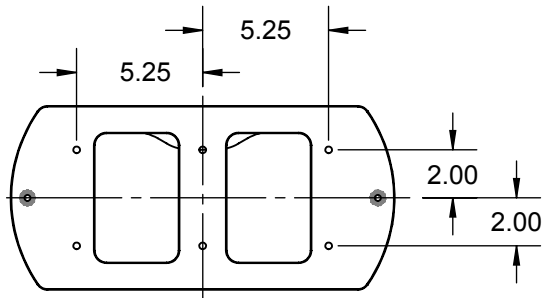
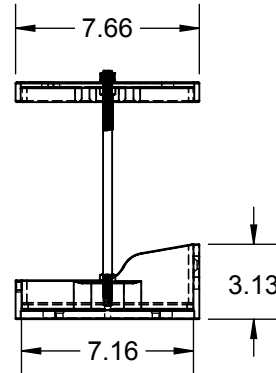
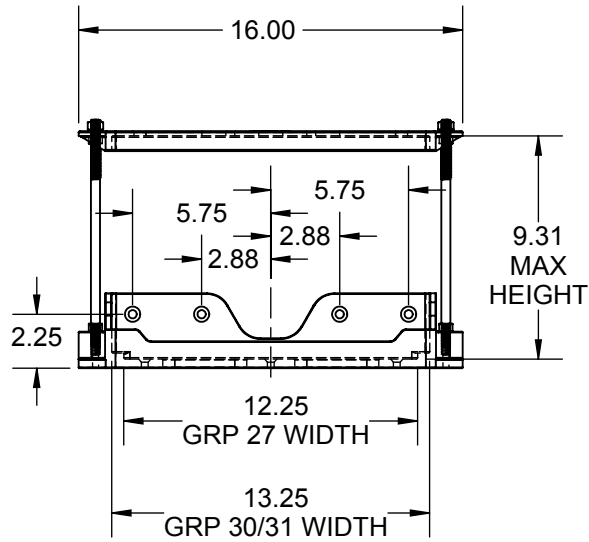
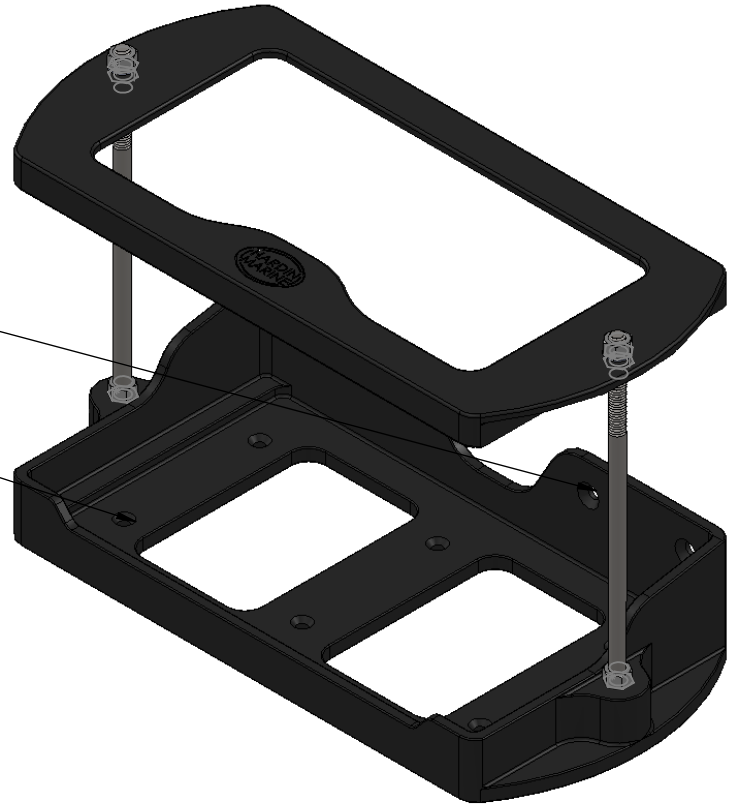
TITLE:

GRP 27/30/31 BATTERY BOX

www.hardin-marine.com

STRINGER MOUNT USE
(4) 5/16 FLAT HEAD SCREWS
NOT INCLUDED

FLOOR MOUNT USE
(6) 1/4 FLAT HEAD SCREWS
NOT INCLUDED



THIS DRAWING IS CONFIDENTIAL AND IS SUPPLIED ON EXPRESS CONDITION THAT IT SHALL NOT BE LENT, COPIED OR DISCLOSED TO ANY OTHER PERSON OR USED FOR ANY OTHER PURPOSE WITHOUT WRITTEN CONSENT OF HARDIN MARINE INC.. BREACH OF THIS CONTRACT WILL HOLD AND IT'S PRINCIPALS LIABLE FOR LOSS AND DAMAGES.