

HARDIN 11 Industry Dr. Palm Coast, FL 32137  
MARINE 386-445-2500 / FAX 386-445-1122

PART NO.  
410-1512

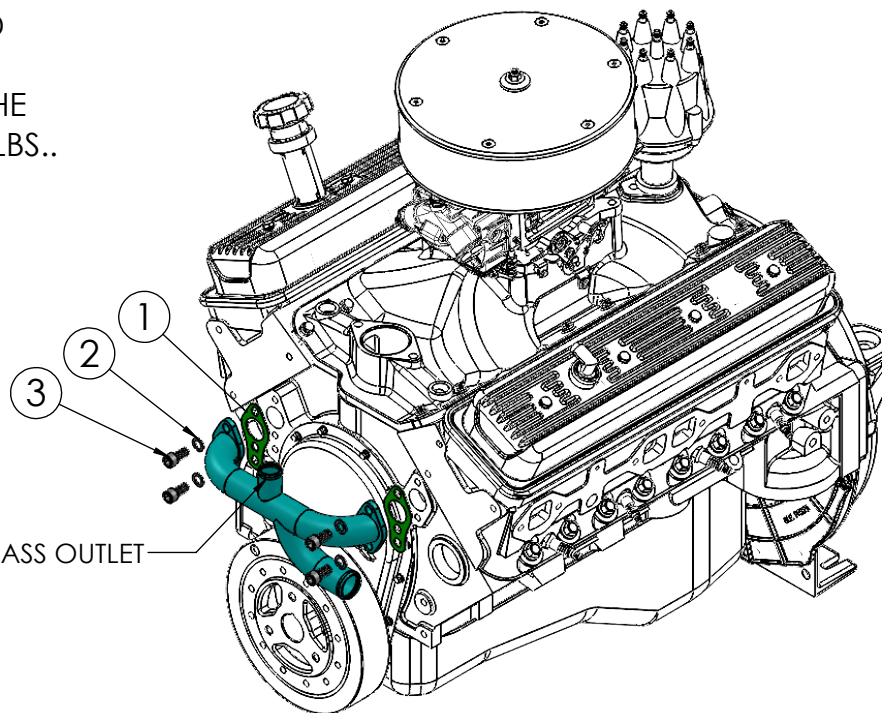
TITLE:  
SBC PORT ENTRY CROSSOVER w/ BYPASS

ITEM NO.	PART NUMBER	DESCRIPTION	QTY.
1	620-05114K	GASKET, SBC CIRC PUMP	2
2	90037AN-STSS	WASHER, 3/8 AN	4
3	90037C075SHS	BOLT, SHCS, 3/8-16 x 3/4	4

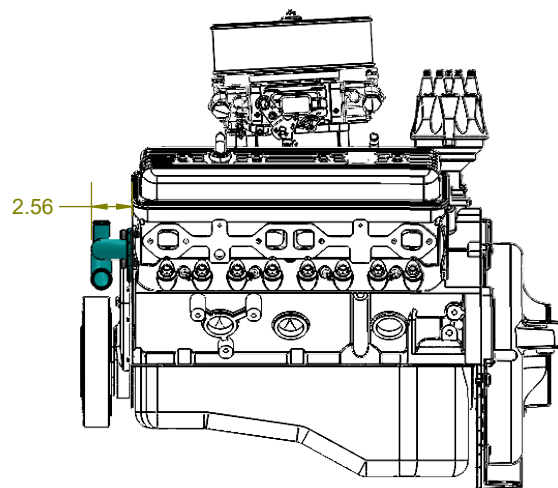
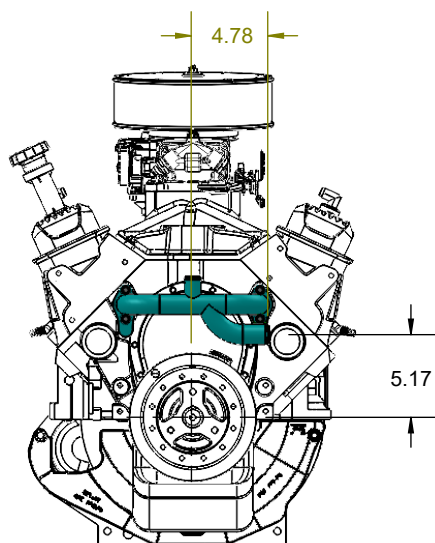
www.hardin-marine.com

### INSTALLATION INSTRUCTIONS:

- 1) APPLY BRUSH TACH TO BOTH SIDES OF THE GASKETS AND INSTALL ON THE ENGINE BLOCK.
- 2) INSTALL BOLTS AND WASHERS INSTALL CROSSOVER TO THE BLOCK. USING 5/16 HEX SOCKET TORQUE BOLTS TO 30 FT. LBS..
- 3) ATTACH 1-1/4 HOSE COMING FROM THE OIL COOLER.
- 4) ATTACHED 1" BYPASS HOSE TO THERMOSTAT HOUSING.



1" BYPASS OUTLET



THIS DRAWING IS CONFIDENTIAL AND IS SUPPLIED ON EXPRESS CONDITION THAT IT SHALL NOT BE LENT, COPIED OR DISCLOSED TO ANY OTHER PERSON OR USED FOR ANY OTHER PURPOSE WITHOUT WRITTEN CONSENT OF HARDIN MARINE INC.. BREACH OF THIS CONTRACT WILL HOLD ..... AND IT'S PRINCIPALS LIABLE FOR LOSS AND DAMAGES.