

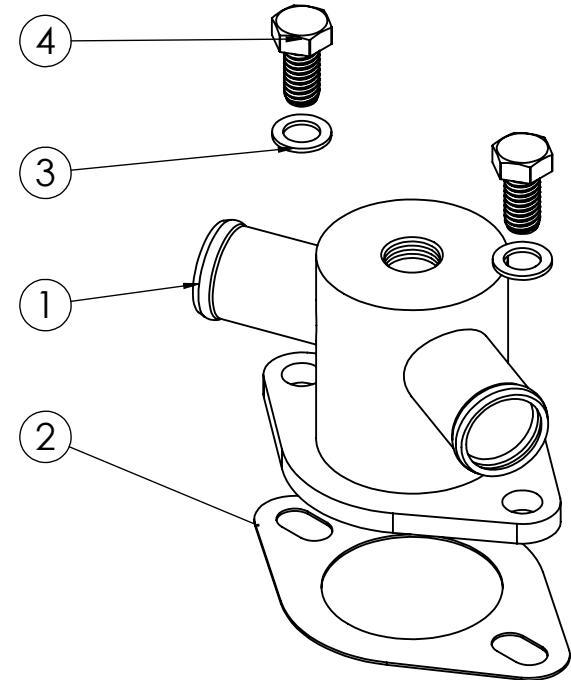
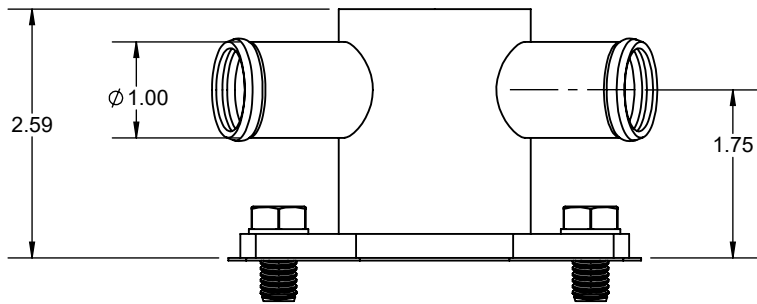
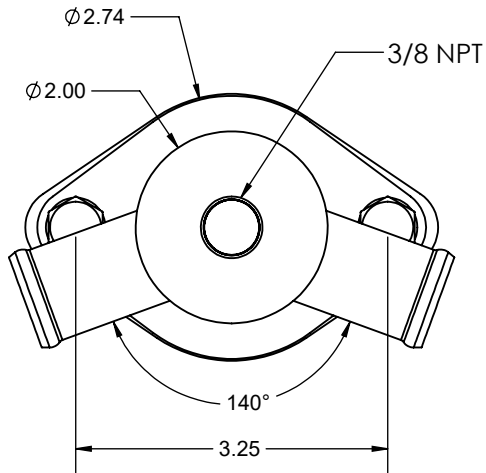
HARDIN 11 Industry Dr. Palm Coast, FL 32137
 MARINE 386-445-2500 / FAX 386-445-1122

PART NO.
 410-1485

TITLE:
 140 DEG WATER OUTLET

www.hardin-marine.com

ITEM NO.	PART NUMBER	DESCRIPTION	QTY.
1	410-1485	WATER OUTLET 1" BUNG - 140 DEG SPREAD	1
2	620-04112	GASKET, BBC WATER OUTLET	1
3	90037AN-STSS	WASHER, 3/8 AN	2
4	90037C075HHS	BOLT, 3/8-16 x .75	2



THIS DRAWING IS CONFIDENTIAL AND IS SUPPLIED ON EXPRESS CONDITION THAT IT SHALL NOT BE LENT, COPIED OR DISCLOSED TO ANY OTHER PERSON OR USED FOR ANY OTHER PURPOSE WITHOUT WRITTEN CONSENT OF HARDIN MARINE INC.. BREACH OF THIS CONTRACT WILL HOLD AND IT'S PRINCIPALS LIABLE FOR LOSS AND DAMAGES.