

HARDIN
MARINE

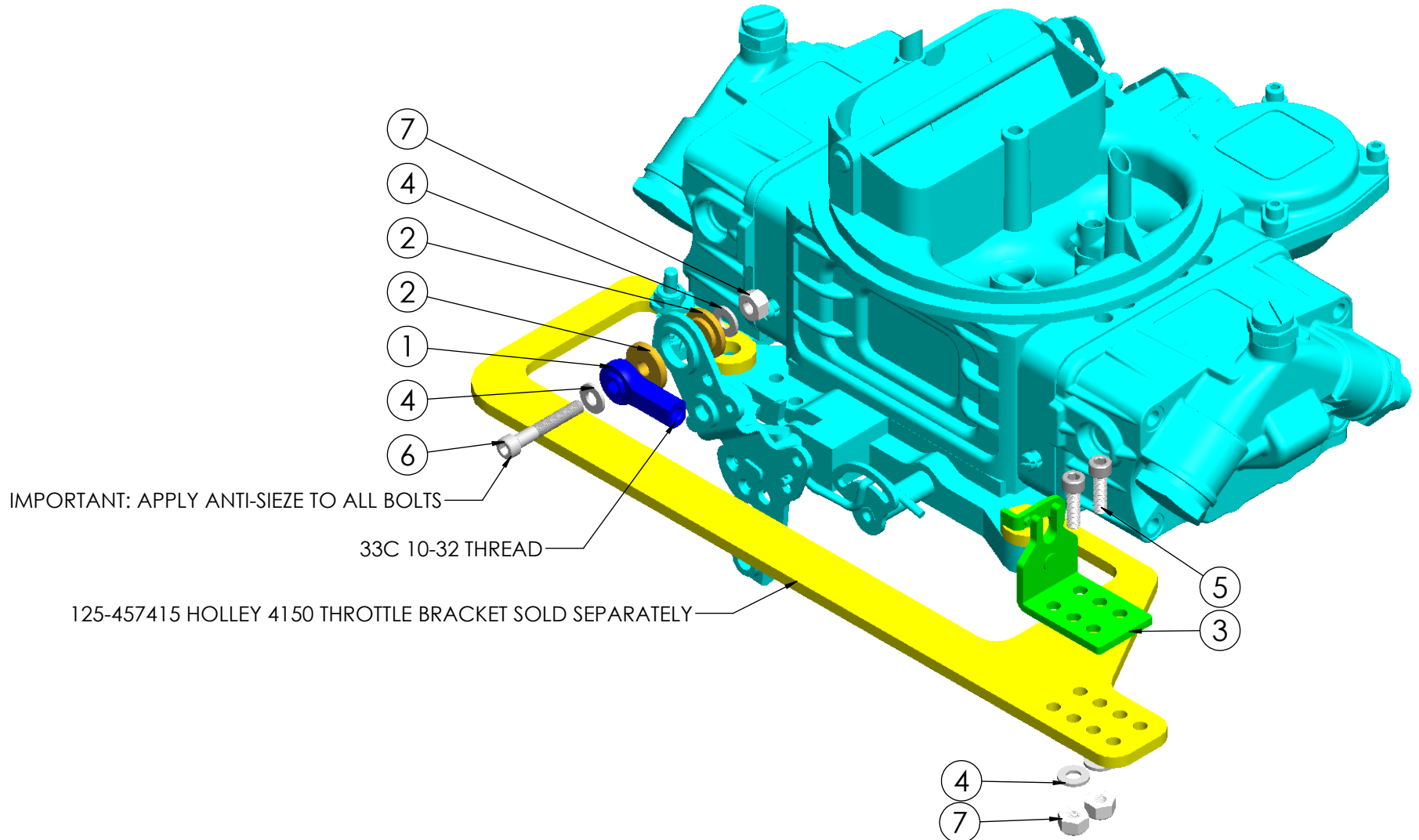
11 Industry Dr. Palm Coast, FL 32137
386-445-2500 / FAX 386-445-1122

PART NO.
125-457408

TITLE:
33C THROTTLE CABLE INSTALLATION KIT

www.hardin-marine.com

ITEM NO.	PART NUMBER	DESCRIPTION	QTY.
1	151-09380	ROD END,10-32	1
2	290-55-109K	BUSHING, CARB	2
3	620-336174	CLAMP, CABLE	1
4	90010AN-STSS	WASHER, #10 AN	4
5	90010F062SHS	BOLT, 10-32 x .625	2
6	90010F125SHS	BOLT,SHCS, 10-32x1.25	1
7	90010FN-FNSS	NUT, NYLON, 10-32	3



THIS DRAWING IS CONFIDENTIAL AND IS SUPPLIED ON EXPRESS CONDITION THAT IT SHALL NOT BE LENT, COPIED OR DISCLOSED TO ANY OTHER PERSON OR USED FOR ANY OTHER PURPOSE WITHOUT WRITTEN CONSENT OF HARDIN MARINE INC.. BREACH OF THIS CONTRACT WILL HOLD AND IT'S PRINCIPALS LIABLE FOR LOSS AND DAMAGES.