

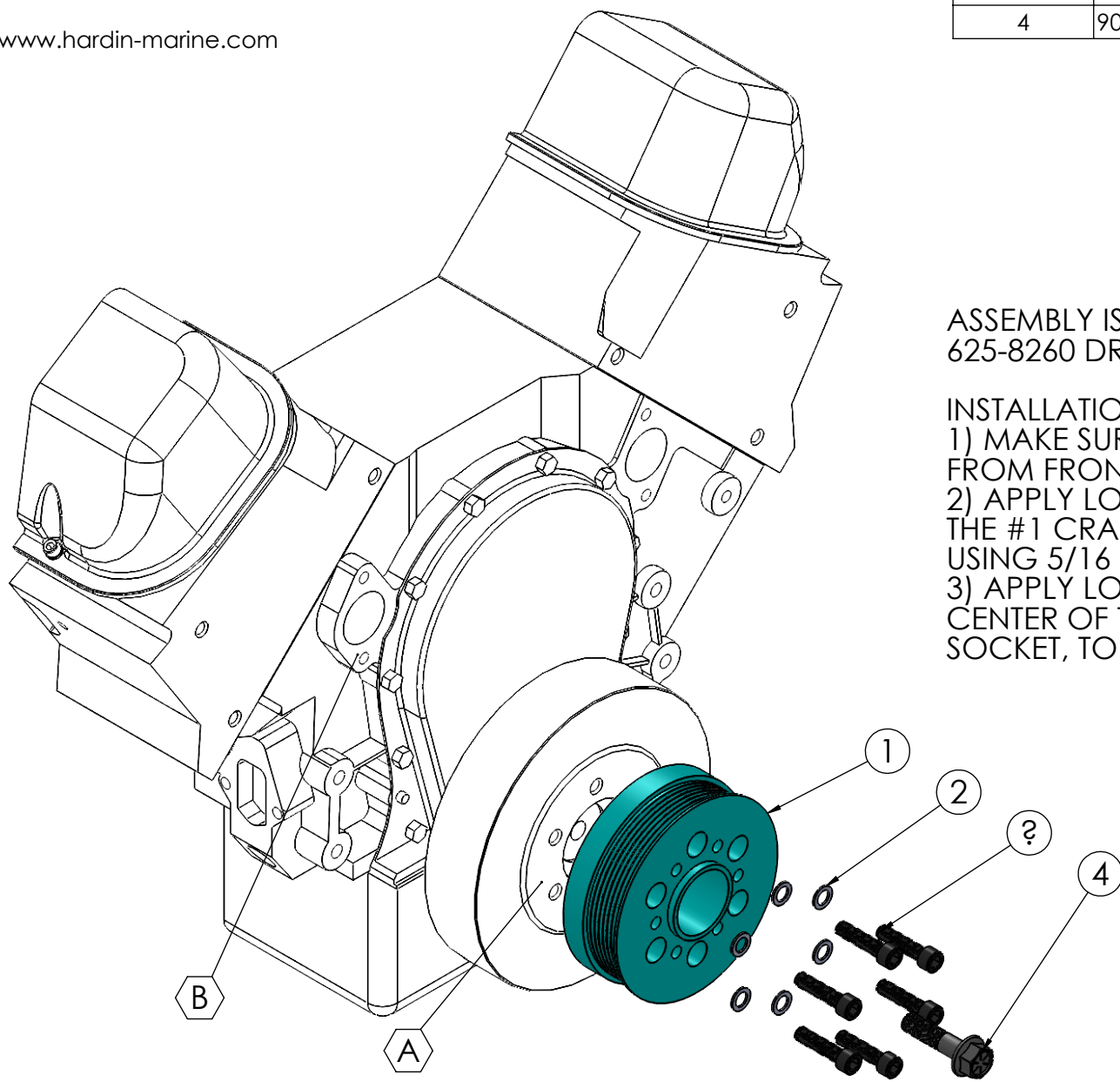
HARDIN 11 Industry Dr. Palm Coast, FL 32137
MARINE 386-445-2500 / FAX 386-445-1122

PART NO.
625-825X

TITLE:
WHIPPLE 3.9L DRIVE KIT - STEP 1

www.hardin-marine.com

ITEM NO.	PART NUMBER	DESCRIPTION	QTY.
1	625-8176	PULLEY, CRANK - SERPENTINE	1
2	90037AN-STSS	WASHER, 3/8 AN	6
3	90037C150SH8	BOLT, SHCS, 3/8-16x1.50	6
4	90050F200HH8	BOLT, CRANK	1



ASSEMBLY IS USED FOR 625-8258, 625-8259 & 625-8260 DRIVE KITS.

INSTALLATION INSTRUCTIONS:

- 1) MAKE SURE FACE OF DAMPER, FIG A IS 3.095 FROM FRONT OF ENGINE BLOCK, FIG B. E.
- 2) APPLY LOCTITE TO #3 BOLTS. INSTALL INTO THE #1 CRANK PULLEY WITH #2 WASHERS. USING 5/16 HEX SOCKET TORQUE TO 35 FT. LBS..
- 3) APPLY LOCTITE TO #4 BOLT. INSTALL INTO CENTER OF THE CRANK PULLEY. USING 3/4 SOCKET, TORQUE TO 55-60 FT. LBS..

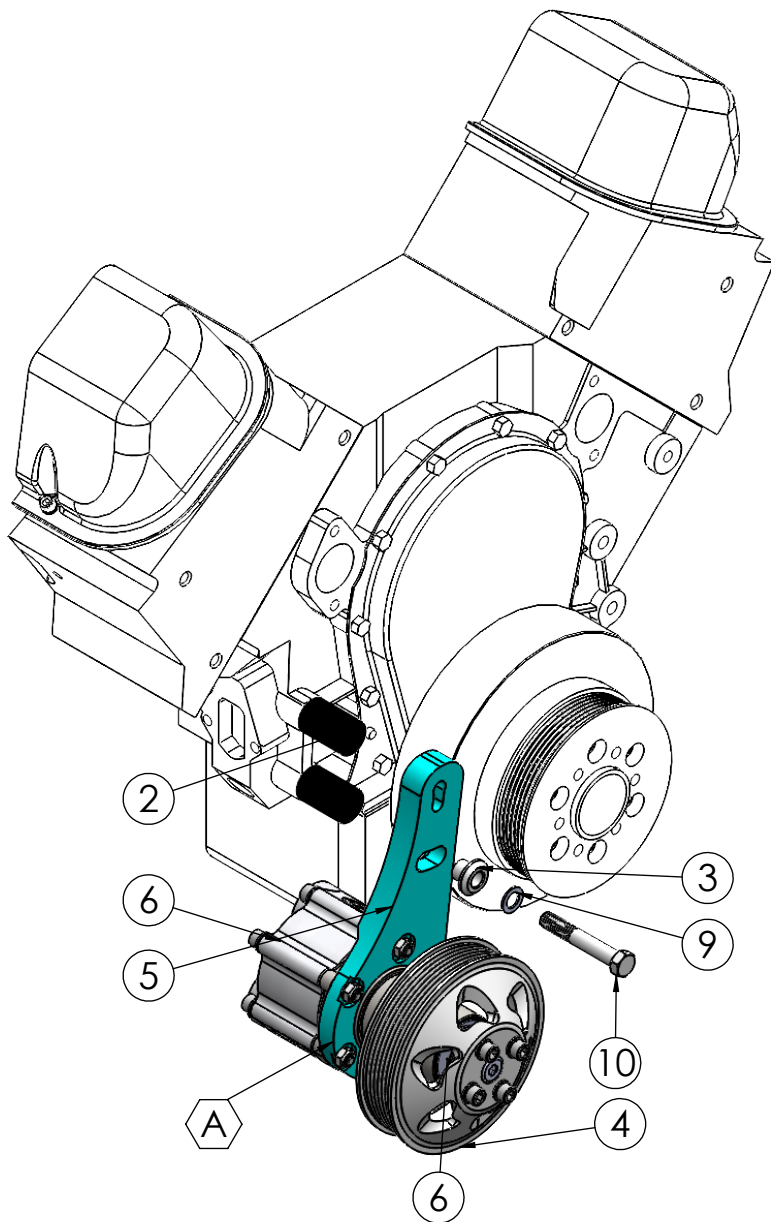
HARDIN 11 Industry Dr. Palm Coast, FL 32137
MARINE 386-445-2500 / FAX 386-445-1122

PART NO.
625-8258

TITLE:
WHIPPLE 3.9L DRIVE KIT-STEP 2 SINGLE STG SEA PUMP

www.hardin-marine.com

ITEM NO.	PART NUMBER	DESCRIPTION	QTY.
1	421-205M	SEA PUMP MANDREL	1
2	625-4040	SPACER, SEA PUMP TO X-OVER	2
3	625-4041	WASHER, HAT	1
4	625-4055	PULLEY, SEA PUMP	1
5	625-4098	BRACKET, SEA PUMP - GEN 2 SERPENTINE KIT	1
6	625-4110	SEA PUMP	1
7	90031AN-STSS	WASHER, 5/16 AN	5
8	90031CN-HNSS	NUT, NYLON, HALF, 5/16-18	5
9	90043AN-STSS	WASHER, 7/16AN	1
10	90043C275HHS	BOLT, 7/16-14x2.75	1



ASSEMBLY IS USED FOR 625-8258 DRIVE KIT.

INSTALLATION INSTRUCTIONS:

- 1) SEA PUMP IS PREASSEMBLED AS SHOWN IN FIG A. THE BRACKET IS INSTALLED ON THE PUMP. SEA PUMP PULLEY IS ALSO INSTALLED.
- 2) IN THIS STEP, THE PUMP IS INSTALLED USING ONLY THE BOTTOM #10 BOLT & #9 WASHER.
- 3) INSTALL #2 SPACERS INTO THE POCKETS ON THE BACK SIDE OF THE SEA PUMP BRACKET.
- 4) WITH THE 2 SPACERS POSITIONED BETWEEN THE BLOCK AND THE SEA PUMP BRACKET. INSTALL BOLT INTO LOWER BOLT HOLE. USING 5/8 SOCKET LIGHTLY SNUG THE BOLT. THE UPPER BOLT IS INSTALLED WITH THE CROSSOVER STEP 3.

THIS DRAWING IS CONFIDENTIAL AND IS SUPPLIED ON EXPRESS CONDITION THAT IT SHALL NOT BE LENT, COPIED OR DISCLOSED TO ANY OTHER PERSON OR USED FOR ANY OTHER PURPOSE WITHOUT WRITTEN CONSENT OF HARDIN MARINE INC.. BREACH OF THIS CONTRACT WILL HOLD AND IT'S PRINCIPALS LIABLE FOR LOSS AND DAMAGES.

HARDIN 11 Industry Dr. Palm Coast, FL 32137
 MARINE 386-445-2500 / FAX 386-445-1122

PART NO.
 625-8259 STEP 2

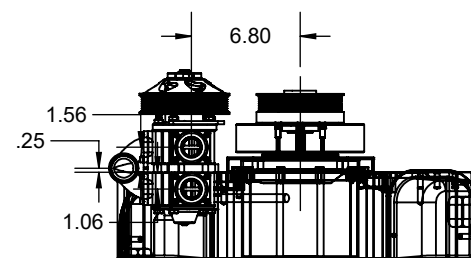
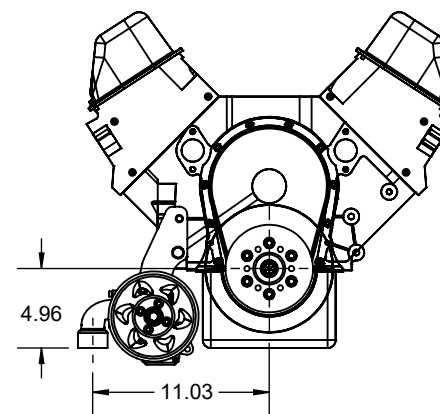
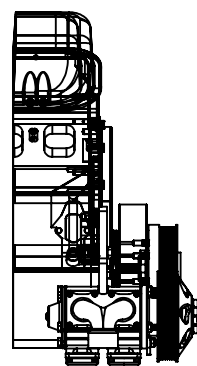
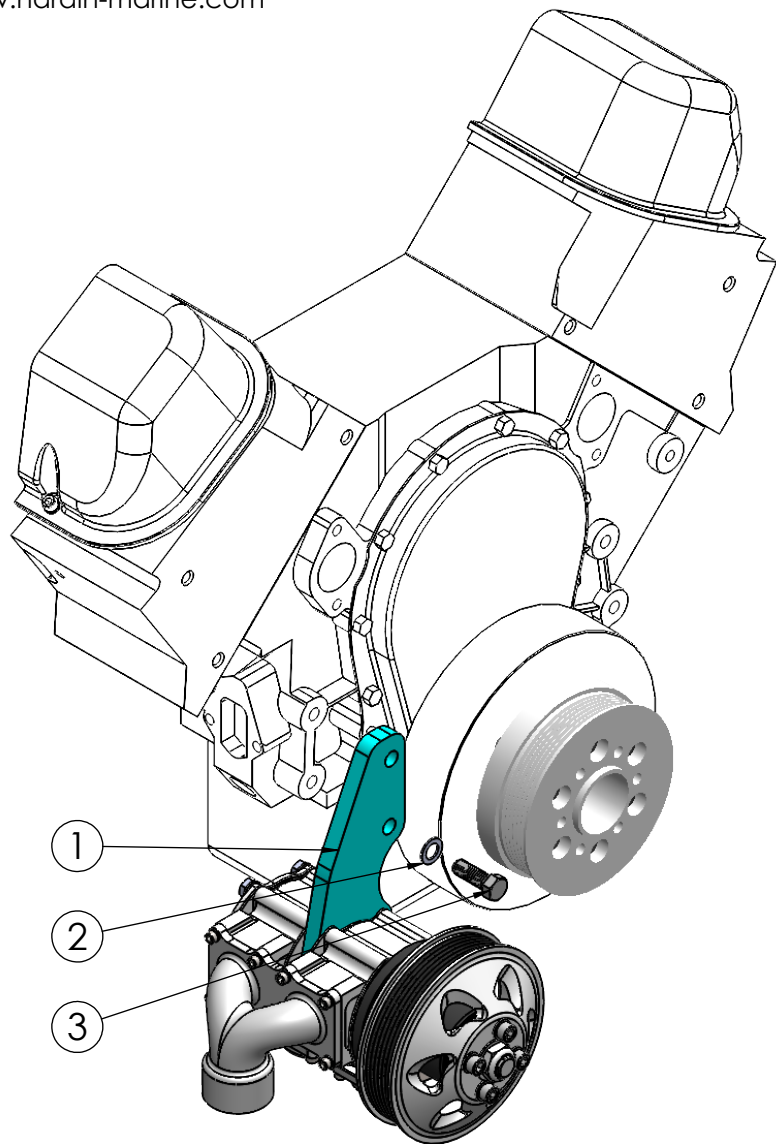
TITLE:
 WHIPPLE 3.9L DRIVE KIT-STEP 2 DUAL STG SEA PUMP

www.hardin-marine.com

ITEM NO.	PART NUMBER	DESCRIPTION	QTY.
1	625-4947	2 STG SEA PUMP	1
2	90043AN-STSS	WASHER , 7/16AN	1
3	90043C125HHS	BOLT, 7/16-14 x 1.25	1

INSTALLATION INSTRUCTIONS:

- 1) YOU HAVE YOUR CHOICE OF INLET OR OUTLETS.
- 2) SLIDE #3 BOLT AND #2 WASHER INTO THE LOWER BOLT HOLE IN THE BRACKET. USING 5/8 SOCKET INSTALL SEA PUMP TO THE BLOCK. ALIGN UPPER HOLE AND SNUG THE BOLT.



THIS DRAWING IS CONFIDENTIAL AND IS SUPPLIED ON EXPRESS CONDITION THAT IT SHALL NOT BE LENT, COPIED OR DISCLOSED TO ANY OTHER PERSON OR USED FOR ANY OTHER PURPOSE WITHOUT WRITTEN CONSENT OF HARDIN MARINE INC.. BREACH OF THIS CONTRACT WILL HOLD AND IT'S PRINCIPALS LIABLE FOR LOSS AND DAMAGES.

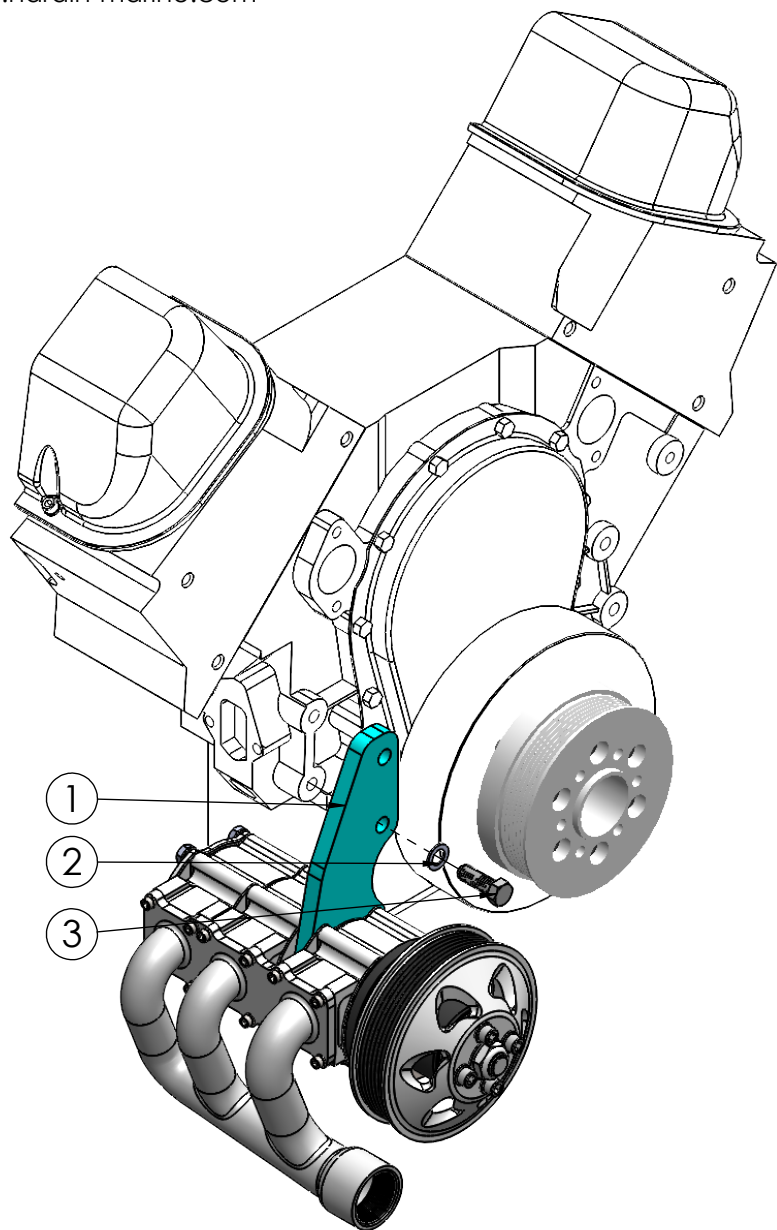
HARDIN 11 Industry Dr. Palm Coast, FL 32137
 MARINE 386-445-2500 / FAX 386-445-1122

PART NO.
 625-8260 STEP 2

TITLE:
 WHIPPLE 3.9L DRIVE KIT-STEP 2 TRIPLE STG SEA PUMP

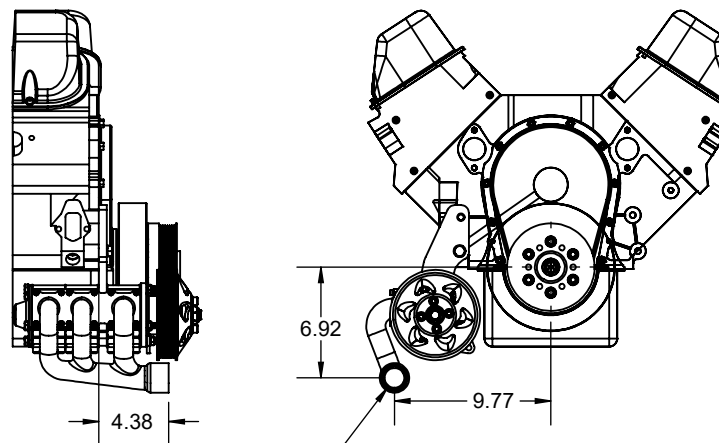
ITEM NO.	PART NUMBER	DESCRIPTION	QTY.
1	625-4988	TRIPLE STAGE SEA PUMP - GEN 2	1
2	90043AN-STSS	WASHER , 7/16AN	1
3	90043C125HHS	BOLT, 7/16-14 x 1.25	1

www.hardin-marine.com



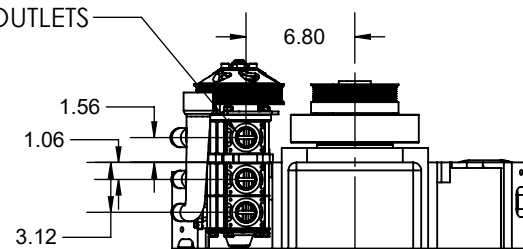
INSTALLATION INSTRUCTIONS:

- 1) YOU HAVE YOUR CHOICE OF INLET OR OUTLETS.
- 2) SLIDE #3 BOLT AND #2 WASHER INTO THE LOWER BOLT HOLE IN THE BRACKET. USING 5/8 SOCKET INSTALL SEA PUMP TO THE BLOCK. ALIGN UPPER HOLE AND SNUG THE BOLT.



1-1/4 NPT INLET

(3) 1" NPT OUTLETS



THIS DRAWING IS CONFIDENTIAL AND IS SUPPLIED ON EXPRESS CONDITION THAT IT SHALL NOT BE LENT, COPIED OR DISCLOSED TO ANY OTHER PERSON OR USED FOR ANY OTHER PURPOSE WITHOUT WRITTEN CONSENT OF HARDIN MARINE INC.. BREACH OF THIS CONTRACT WILL HOLD AND IT'S PRINCIPALS LIABLE FOR LOSS AND DAMAGES.

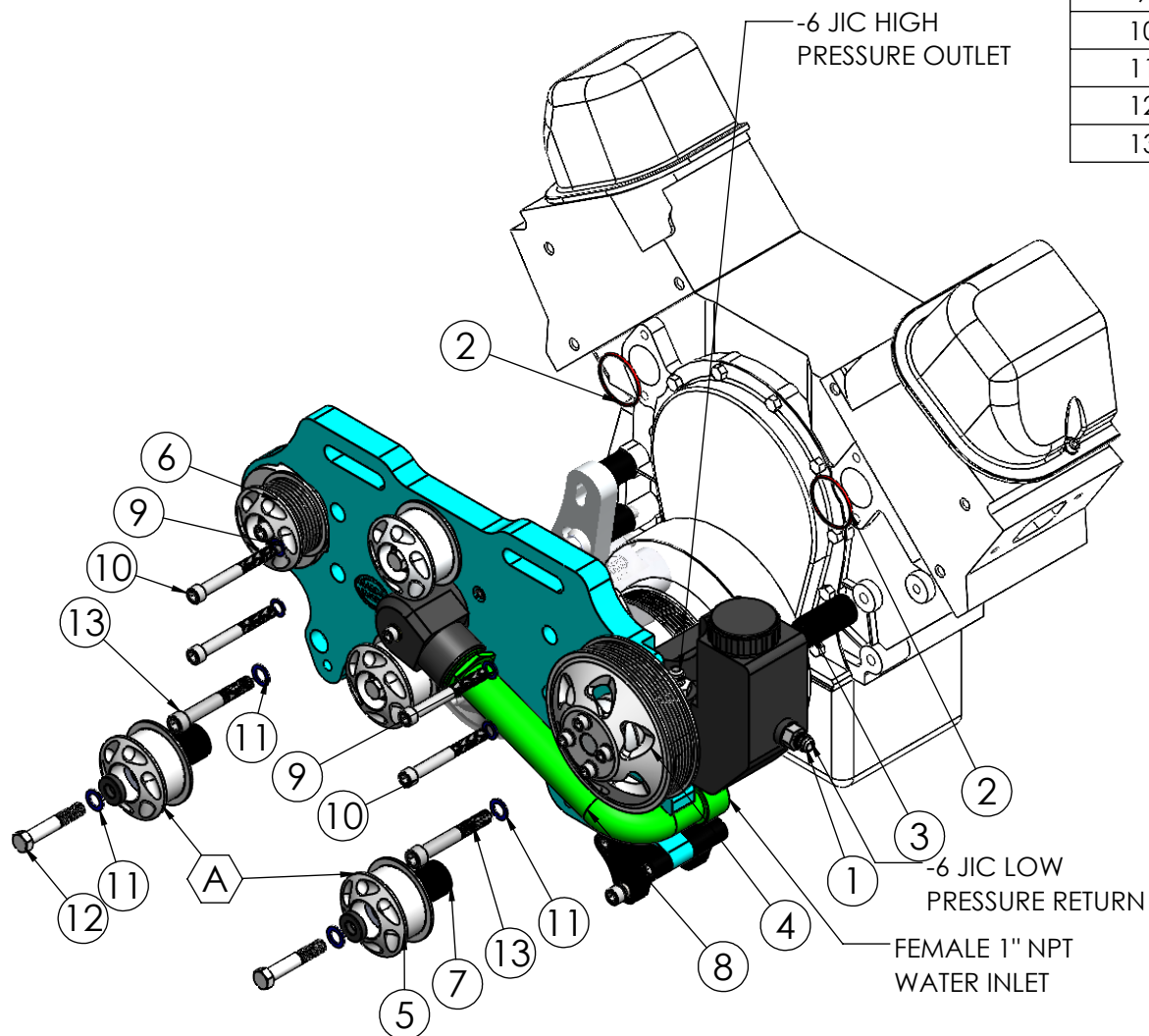
HARDIN 11 Industry Dr. Palm Coast, FL 32137
MARINE 386-445-2500 / FAX 386-445-1122

PART NO.
625-8258 STEP 3

TITLE:
WHIPPLE 3.9L DRIVE KIT - STEP 3 SINGLE STG SEA PUMP

www.hardin-marine.com

ITEM NO.	PART NUMBER	DESCRIPTION	QTY.
1	135-802226	PUMP, POWER STEERING	1
2	625-1131	O-RING	2
3	625-4040	SPACER, SEA PUMP TO X-OVER	2
4	625-4055	PULLEY, SEA PUMP	2
5	625-4364	PULLEY, SMOOTH IDLER	4
6	625-4365	PULLEY, RIBBED IDLER	1
7	625-4422	SPACER, IDLER - GEN 2	4
8	625-4460	TUBE, WATER CONNECTION	1
9	90037AN-STSS	WASHER, 3/8 AN	14
10	90037C325SHS	BOLT, SHCS, 3/8-16x3.25	4
11	90043AN-STSS	WASHER, 7/16AN	7
12	90043C250HHS	BOLT, HHCS, 7/16-14x2.50	4
13	90043C300SHS	BOLT, SHCS, 7/16-14x3.00	2



INSTALLATION INSTRUCTIONS:

- 1) CROSSOVER COMES COMPLETELY ASSEMBLED.
- 2) APPLY WHITE LITHIUM GREASE TO #2 O-RINGS AND INSTALL INTO THE GROOVES IN THE BACKSIDE OF THE CROSSOVER BODY.
- 3) USING 5/8 SOCKET, REMOVE BOTH LOWER IDLER PULLEY ASSEMBLIES. FIG A.
- 4) #3 SPACER IS INSTALLED BETWEEN THE BLOCK AND CROSSOVER. HOLD IN PLACE WITH #13 BOLT AND #11 WASHER.
- 5) INSTALL CROSSOVER USING #10 BOLTS AND #9 WASHERS. USING 5/16 HEX SOCKET TORQUE TO 35 FT. LBS..
- 6) INSTALL #13 BOLT & #11 WASHER INTO THE BRACKET THAT GOES THROUGH THE SEA PUMP BRACKET.
- 7) ROTATE SEA PUMP ALL THE WAY OUT. USING 5/8 & 3/8 HEX SOCKET, TORQUE SEA PUMP BOLTS AND BOTH #13 BOLTS TO 45 FT. LBS..
- 8) USING 5/8 SOCKET, REINSTALL BOTH IDLER ASSEMBLIES. TORQUE TO 45 FT. LBS..
- 9) CONNECT WATER INLET HOSE TO #8 INLET TUBE. TUBE HAS FEMALE 1" NPT BUNG.

THIS DRAWING IS CONFIDENTIAL AND IS SUPPLIED ON EXPRESS CONDITION THAT IT SHALL NOT BE LENT, COPIED OR DISCLOSED TO ANY OTHER PERSON OR USED FOR ANY OTHER PURPOSE WITHOUT WRITTEN CONSENT OF HARDIN MARINE INC.. BREACH OF THIS CONTRACT WILL HOLD AND IT'S PRINCIPALS LIABLE FOR LOSS AND DAMAGES.

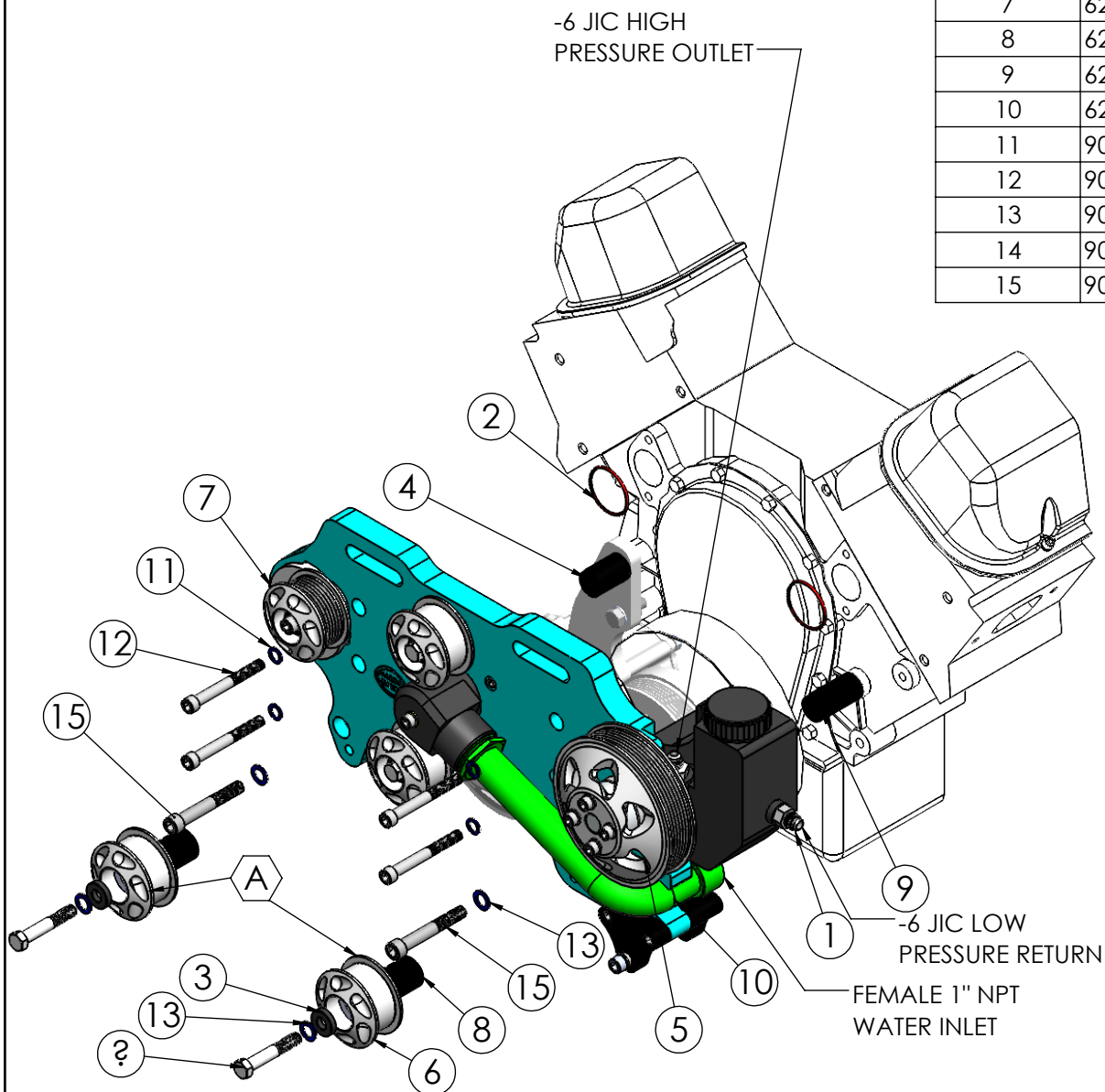
HARDIN 11 Industry Dr. Palm Coast, FL 32137
MARINE 386-445-2500 / FAX 386-445-1122

PART NO.
625-8259 STEP 3

TITLE:
WHIPPLE 3.9L DRIVE KIT - STEP 3 2STG SEA PUMP

www.hardin-marine.com

ITEM NO.	PART NUMBER	DESCRIPTION	QTY.
1	135-802226	PUMP, POWER STEERING	1
2	625-1131	O-RING	2
3	625-4039	SPACER, 1" x7/16x.240	4
4	625-4040	SPACER, SEA PUMP TO X-OVER	1
5	625-4055	PULLEY, SEA PUMP	1
6	625-4364	PULLEY, SMOOTH IDLER	4
7	625-4365	PULLEY, RIBBED IDLER	1
8	625-4422	SPACER, IDLER - GEN 2	4
9	625-4436	SPACER, BLOCK TO X-OVER COVER	1
10	625-4460	TUBE, WATER CONNECTION	1
11	90037AN-STSS	WASHER, 3/8 AN	14
12	90037C325SHS	BOLT, SHCS, 3/8-16x3.25	4
13	90043AN-STSS	WASHER, 7/16AN	7
14	90043C250HHS	BOLT, HHCS, 7/16-14x2.50	4
15	90043C300SHS	BOLT, SHCS, 7/16-14x3.00	2



INSTALLATION INSTRUCTIONS FOR BOTH 625-8259 2 STAGE AND 625-8260 3 STAGE DRIVE KITS:

- 1) CROSSOVER COMES COMPLETELY ASSEMBLED.
- 2) APPLY WHITE LITHIUM GREASE TO #2 O-RINGS AND INSTALL INTO THE GROOVES IN THE BACKSIDE OF THE CROSSOVER BODY.
- 3) USING 5/8 SOCKET, REMOVE BOTH LOWER IDLER PULLEY ASSEMBLIES. FIG A.
- 4) #4 SPACER IS INSTALLED BETWEEN THE CROSSOVER AND SEA PUMP BRACKET. HOLD IN PLACE WITH #15 BOLT AND #13 WASHER.
- 5) #9 SPACER IS INSTALLED BETWEEN THE CROSSOVER AND BLOCK. HOLD IN PLACE WITH #15 BOLT AND #13 WASHER.
- 6) INSTALL CROSSOVER USING #12 BOLTS AND #11 WASHERS. USING 5/16 HEX SOCKET TORQUE TO 35 FT. LBS..
- 7) ROTATE SEA PUMP ALL THE WAY OUT. USING 5/8 & 3/8 HEX SOCKET, TORQUE SEA PUMP BOLTS AND BOTH #15 BOLTS TO 45 FT. LBS..
- 8) USING 5/8 SOCKET, REINSTALL BOTH IDLER ASSEMBLIES. TORQUE TO 45 FT. LBS..
- 9) CONNECT WATER INLET HOSE TO #10 INLET TUBE. TUBE HAS FEMALE 1" NPT BUNG.

THIS DRAWING IS CONFIDENTIAL AND IS SUPPLIED ON EXPRESS CONDITION THAT IT SHALL NOT BE LENT, COPIED OR DISCLOSED TO ANY OTHER PERSON OR USED FOR ANY OTHER PURPOSE WITHOUT WRITTEN CONSENT OF HARDIN MARINE INC.. BREACH OF THIS CONTRACT WILL HOLD AND IT'S PRINCIPALS LIABLE FOR LOSS AND DAMAGES.

HARDIN 11 Industry Dr. Palm Coast, FL 32137
MARINE 386-445-2500 / FAX 386-445-1122

PART NO.
625-8258 STEP 4

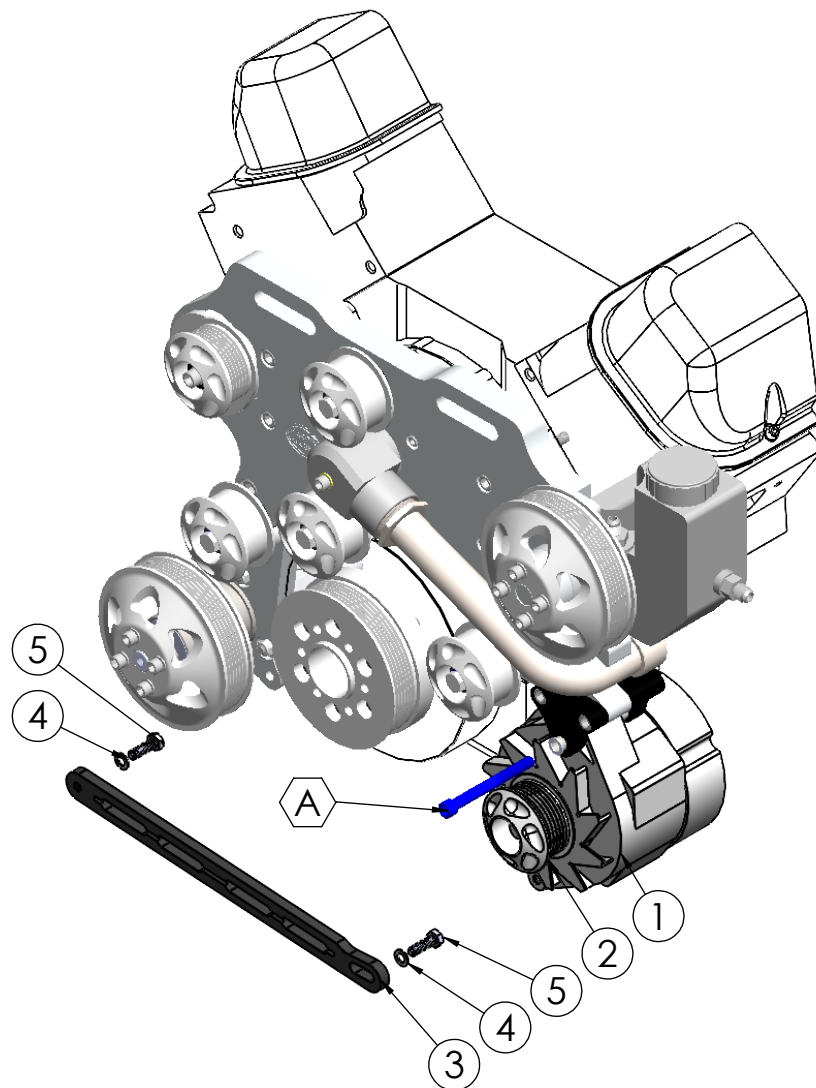
TITLE:
WHIPPLE 3.9L DRIVE KIT - STEP 4 SINGLE STG SEA PUMP

www.hardin-marine.com

INSTALLATION INSTRUCTIONS:

- 1) THE ALTERNATOR PULLEY COMES INSTALLED ON THE ALTERNATOR.
- 2) REMOVE THE 3/8 x 3-1/2 BOLT THAT COMES WITH THE ALTERNATOR BRACKET, FIG. A.
- 3) APPLY LOCTITE TO THE ALTERNATOR BOLT. SLIDE ALTERNATOR INTO THE BRACKET. USING 5/16 HEX SOCKET SNUG THE BOLT.
- 4) APPLY RED LOCTITE TO #5 BOLTS. INSTALL #4 WASHER ONTO THE BOLTS.
- 5) POSITION #3 CROSS SUPPORT ON THE FRONT SIDE OF THE SEA PUMP BRACKET. INSTALL #5 BOLT AND WASHER FROM THE BACK SIDE OF THE BRACKET AND SCREW INTO THE SUPPORT RAIL.
- 6) ON THE ALTERNATOR SIDE, THE BRACKET SITS BEHIND THE ALTERNATOR. SLIDE #5 BOLT AND WASHER IN FROM THE BACK SIDE AND SCREW INTO THE SUPPORT RAIL.
- 7) SLIDE ALTERNATOR ALL THE WAY OUT. USING 5/16 HEX SOCKET TIGHTEN UPPER BOLT TO 30 FT. LBS..
- 8) USING 1/2 SOCKET TORQUE BOTH SUPPORT RAILS BOLTS TO 20 IN. LBS..
- 9) THIS IS A SINGLE WIRE SELF EXCITING INTERNALLY REGULATED ALTERNATOR. CONNECT THE BATTERY CABLE TO THE B+ STUD ON THE BACKSIDE OF THE ALTERNATOR. THE GROUND TAB IS NOT NECESSARY AS IT IS NEGATIVE GROUND AND GROUNDS THROUGH THE ENGINE. THE MERCURY PURPLE EXCITER WIRE IS NOT USED.

ITEM NO.	PART NUMBER	DESCRIPTION	QTY.
1	620-3147M-NC	94 AMP CHROME ALTERNATOR	1
2	625-3130	PULLEY, ALTERNATOR	1
3	625-3133	RAIL, SERPENTINE CROSS SUPPORT	1
4	90031AN-STSS	WASHER, 5/16 AN	2
5	90031C100HHS	BOLT, 5/16-18 x 1.00	2



HARDIN 11 Industry Dr. Palm Coast, FL 32137
MARINE 386-445-2500 / FAX 386-445-1122

PART NO.
625-8259 STEP 4

TITLE:
WHIPPLE 3.9L DRIVE KIT-STEP 4 2STG SEA PUMP

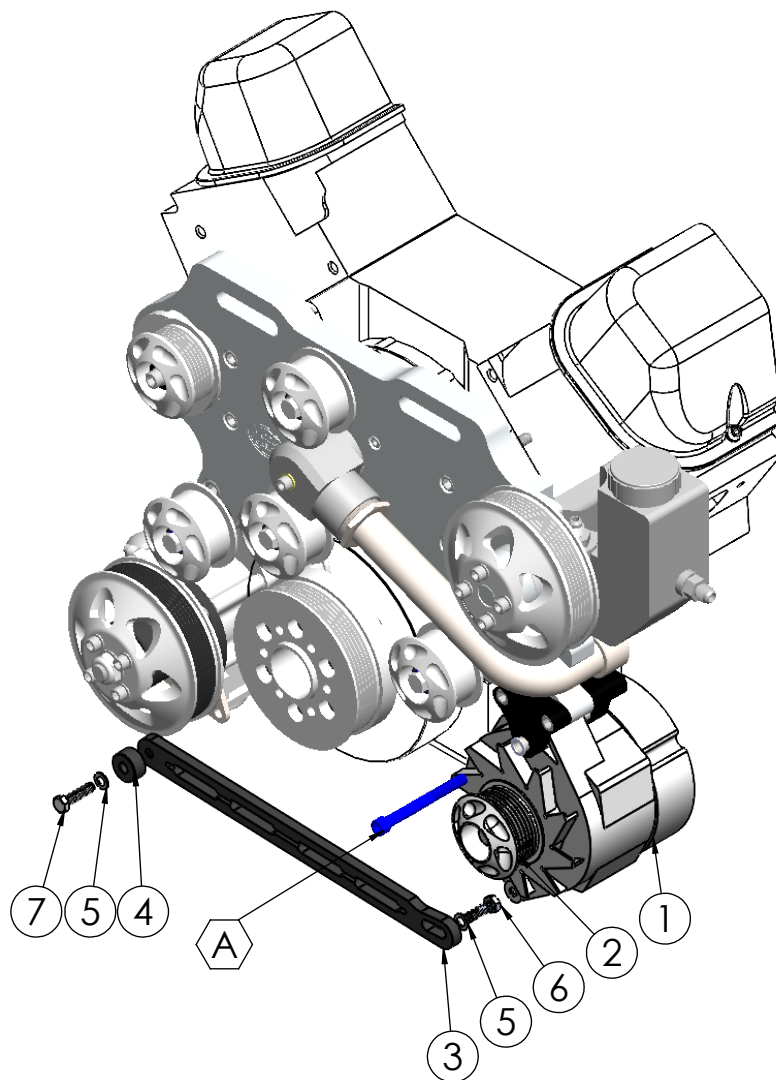
www.hardin-marine.com

ASSEMBLY IS USED FOR 625-8259 2 STAGE & 625-8262 3 STAGE DRIVE KITS.

INSTALLATION INSTRUCTIONS:

- 1) THE ALTERNATOR PULLEY COMES INSTALLED ON THE ALTERNATOR.
- 2) REMOVE THE 3/8 x 3-1/2 BOLT THAT COMES WITH THE ALTERNATOR BRACKET, FIG. A.
- 3) APPLY LOCTITE TO THE ALTERNATOR BOLT. SLIDE ALTERNATOR INTO THE BRACKET. USING 5/16 HEX SOCKET SNUG THE BOLT.
- 4) APPLY RED LOCTITE TO BOTH #6 & 7 BOLTS. INSTALL #5 WASHER ONTO THE BOLTS.
- 5) POSITION #3 CROSS SUPPORT & #4 SPACER ON THE BACK SIDE OF THE SEA PUMP BRACKET. INSTALL #7 BOLT AND WASHER FROM THE FRONT SIDE OF THE BRACKET AND SCREW INTO THE SUPPORT RAIL.
- 6) ON THE ALTERNATOR SIDE, THE BRACKET SITS BEHIND THE ALTERNATOR. SLIDE #6 BOLT AND WASHER IN FROM THE BACK SIDE AND SCREW INTO THE SUPPORT RAIL.
- 7) SLIDE ALTERNATOR ALL THE WAY OUT. USING 5/16 HEX SOCKET TIGHTEN UPPER BOLT TO 30 FT. LBS..
- 8) USING 1/2 SOCKET TORQUE BOTH SUPPORT RAILS BOLTS TO 20 IN. LBS..
- 9) THIS IS A SINGLE WIRE SELF EXCITING INTERNALLY REGULATED ALTERNATOR. CONNECT THE BATTERY CABLE TO THE B+ STUD ON THE BACKSIDE OF THE ALTERNATOR. THE GROUND TAB IS NOT NECESSARY AS IT IS NEGATIVE GROUND AND GROUNDS THROUGH THE ENGINE. THE MERCURY PURPLE EXCITER WIRE IS NOT USED.

ITEM NO.	PART NUMBER	DESCRIPTION	QTY.
1	620-3147M-NC	94 AMP CHROME ALTERNATOR	1
2	625-3130	PULLEY, ALTERNATOR	1
3	625-3133	RAIL, SERPENTINE CROSS SUPPORT	1
4	625-3134	SPACER, SERPENTINE CROSS SUPPORT	1
5	90031AN-STSS	WASHER, 5/16 AN	2
6	90031C100HHS	BOLT, 5/16-18 x 1.00	1
7	90031C125HHS	BOLT, 5/16-18x1.25	1



THIS DRAWING IS CONFIDENTIAL AND IS SUPPLIED ON EXPRESS CONDITION THAT IT SHALL NOT BE LENT, COPIED OR DISCLOSED TO ANY OTHER PERSON OR USED FOR ANY OTHER PURPOSE WITHOUT WRITTEN CONSENT OF HARDIN MARINE INC.. BREACH OF THIS CONTRACT WILL HOLD AND IT'S PRINCIPALS LIABLE FOR LOSS AND DAMAGES.

HARDIN 11 Industry Dr. Palm Coast, FL 32137
MARINE 386-445-2500 / FAX 386-445-1122

PART NO.
625-825X STEP 5

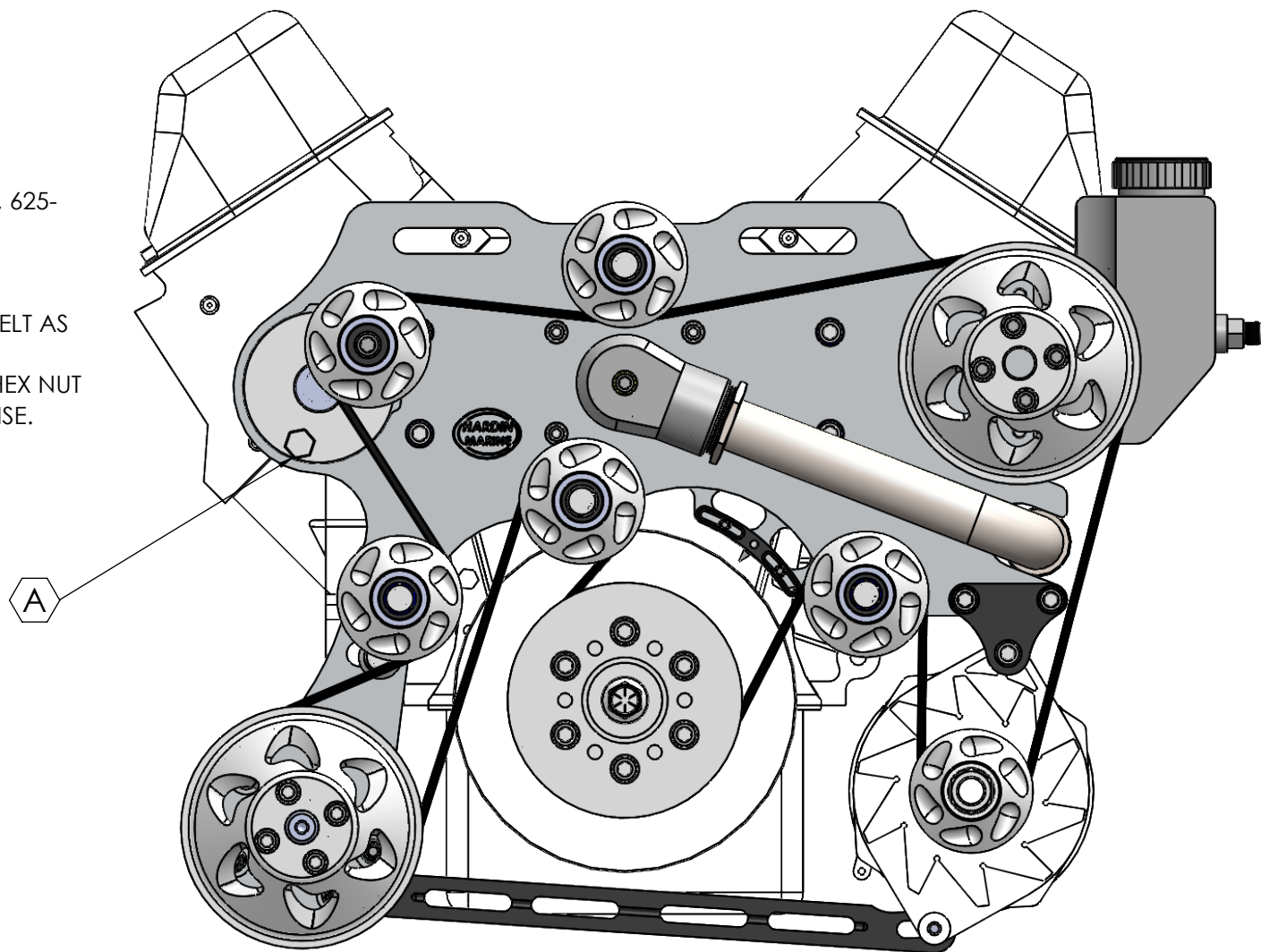
TITLE:
WHIPPLE 3.9L DRIVE KIT-STEP 5

www.hardin-marine.com

ASSEMBLY IS USED FOR 625-8258, 625-8259 & 625-8260 DRIVE KITS.

INSTALLATION INSTRUCTIONS:

- 1) ROUTE 625-2333 SERPENTINE BELT AS SHOWN.
- 2) USING A 5/8 WRENCH. TURN HEX NUT ON TENSIONER, FIG. A CLOCKWISE.



THIS DRAWING IS CONFIDENTIAL AND IS SUPPLIED ON EXPRESS CONDITION THAT IT SHALL NOT BE LENT, COPIED OR DISCLOSED TO ANY OTHER PERSON OR USED FOR ANY OTHER PURPOSE WITHOUT WRITTEN CONSENT OF HARDIN MARINE INC.. BREACH OF THIS CONTRACT WILL HOLD AND IT'S PRINCIPALS LIABLE FOR LOSS AND DAMAGES.

HARDIN 11 Industry Dr. Palm Coast, FL 32137
 MARINE 386-445-2500 / FAX 386-445-1122

PART NO.
 625-825X STEP 6

TITLE:
 WHIPPLE 3.9L DRIVE KIT-STEP 6

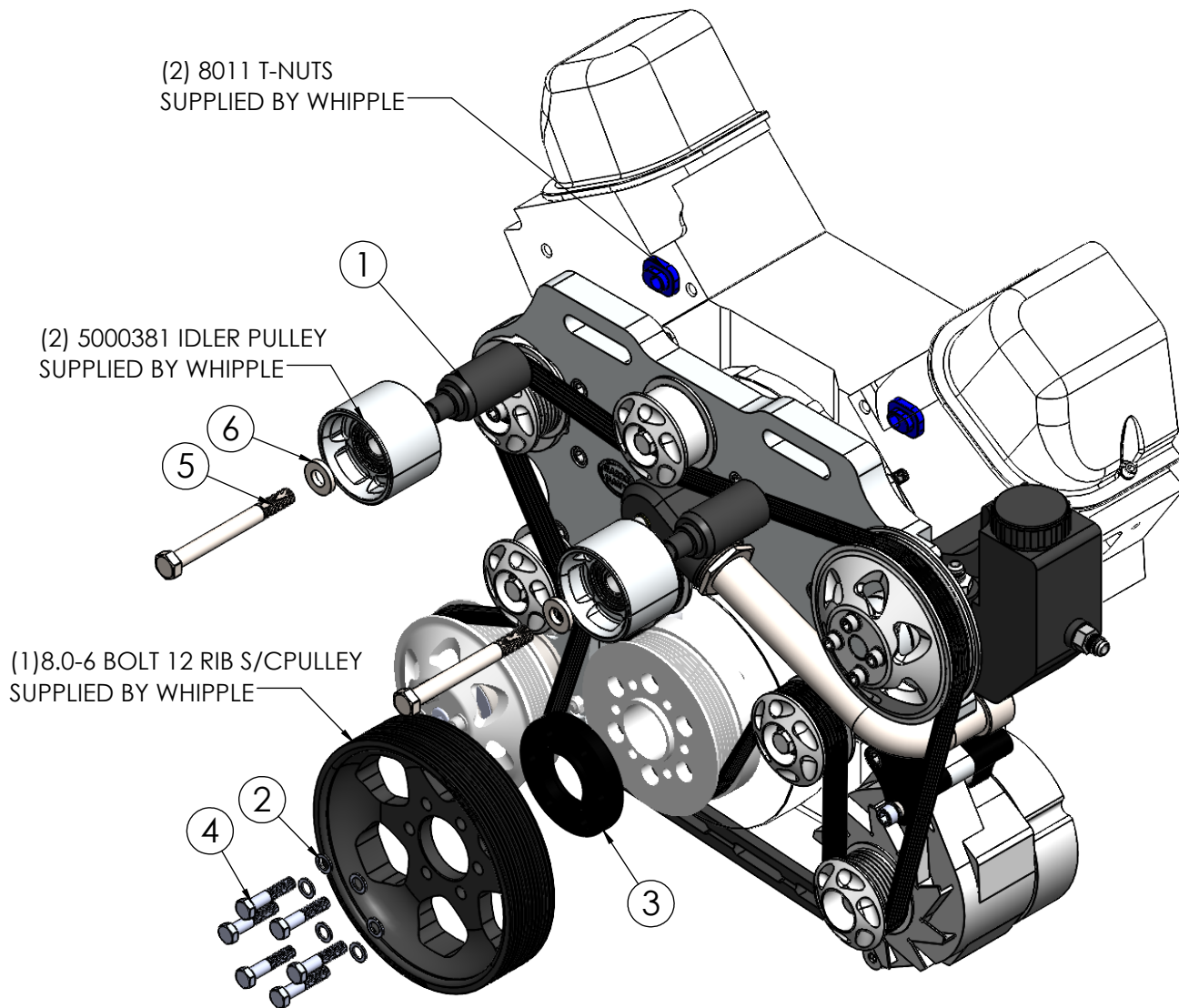
www.hardin-marine.com

ITEM NO.	PART NUMBER	DESCRIPTION	QTY.
1	625-4424	SPACER, WHIPPLER IDLER	2
2	90037AN-STSS	WASHER, 3/8 AN	6
3	625-8217	SPACER, S/C CRANK PULLEY	1
4	90037F175HH8	BOLT, HHCS, 3/8-*24x1.75	6
5	90050F475HHS	BOLT, 1/2-20x4.75	2
6	90050SA-THSS	WASHER, 1/2 EXTRA THICK	2

ASSEMBLY USED FOR 625-8258, 625-8259 &
 625-5260 DRIVE KITS.

INSTALLATION INSTRUCTIONS:

- 1) THE S/C PULLEY, IDLER PULLEYS AND T-NUTS ARE SUPPLIED BY WHIPPLE.
- 2) INSTALL #3 SPACER S/C PULLEY AND THE ALL READY INSTALLED CRANK PULLEY.
- 3) APPLY RED LOCTITE TO ALL BOLTS AND SLIDE THE WASHERS.
- 4) INSTALL SUPERCHARGER PULLEY USING #4 BOLTS AND #2 WASHERS. USE 9/16 SOCKET AND TORQUE TO 30 FT. LBS..
- 5) INSTALL BOTH T-NUTS INTO THE BACK OF THE CROSSOVER.
- 6) SLIDE #1 SPACERS INTO THE IDLER PULLEYS.
- 7) MOUNT BOTH IDLER PULLEYS AND SPACERS USING #5 BOLTS AND #6 WASHERS.
- 8) FOLLOW WHIPPLE'S INSTRUCTIONS ON ADJUSTMENT AND TORQUE OF THE IDLER PULLEYS.

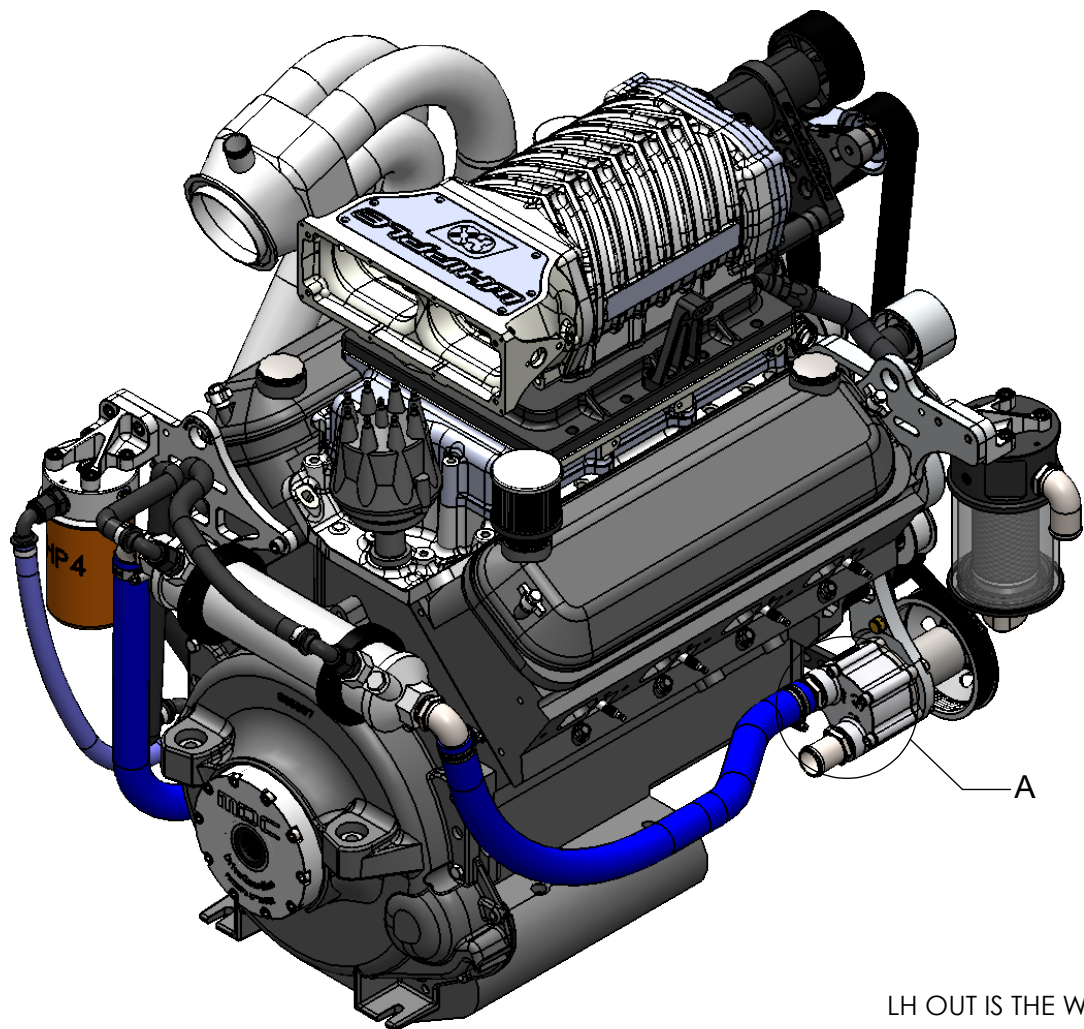


HARDIN 11 Industry Dr. Palm Coast, FL 32137
MARINE 386-445-2500 / FAX 386-445-1122

PART NO.
625-825X STEP 7

TITLE:
WHIPPLE 3.9L DRIVE KIT - STEP 7

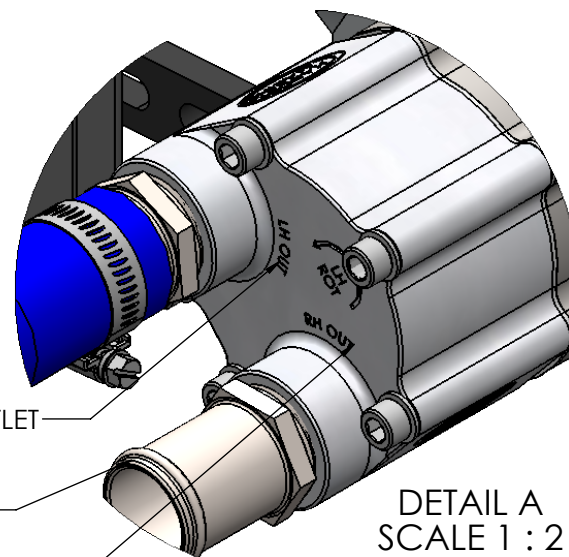
www.hardin-marine.com



540-222151 FITTING 1" NPTx1-1/4
HOSE BARB SOLD SEPARATELY

RH OUT IS THE WATER INTLET

LH OUT IS THE WATER OUTLET



DETAIL A
SCALE 1 : 2

ASSEMBLY IS USED FOR 625-8258, 625-8259 & 625-8260
DRIVE KITS.

INSTALLATION INSTRUCTIONS:

- 1) SINGLE STAGE SEA PUMP PLUMBING SHOWN. PLUMBING FOR BOTH DUAL STAGE SEA PUMP USED IN KIT 625-8259 & TRIPLE STAGE SEA PUMP USED IN KIT 625-8260 WILL DEPEND ON HOW THE SEA PUMP IS CONFIGURED.
- 2) FITTINGS ARE NOT SUPPLIED WITH THE KIT. DRAWING SHOWN WITH 540-222151. THIS SEA PUMP HAS 1" NPT BUNGS.
- 3) ON THE BACKSIDE OF THE SEA PUMP. BUNG MARKED RH OUT IS THE FRESH WATER INLET. LH OUT IS THE FRESH WATER EXIT.
- 4) RUN EITHER 1-1/4 OR -24 HOSE, SHOWN IN BLUE, OUT OF THE PUMP.
- 5) PICTURE SHOWS TYPICAL STARBOARD SIDE WATER PLUMBING. OUT OF THE PUMP TO THE OIL COOLER. YOU CAN ALSO INSTALL A FUEL COOLER INLINE BETWEEN THE PUMP AND OIL COOLER.

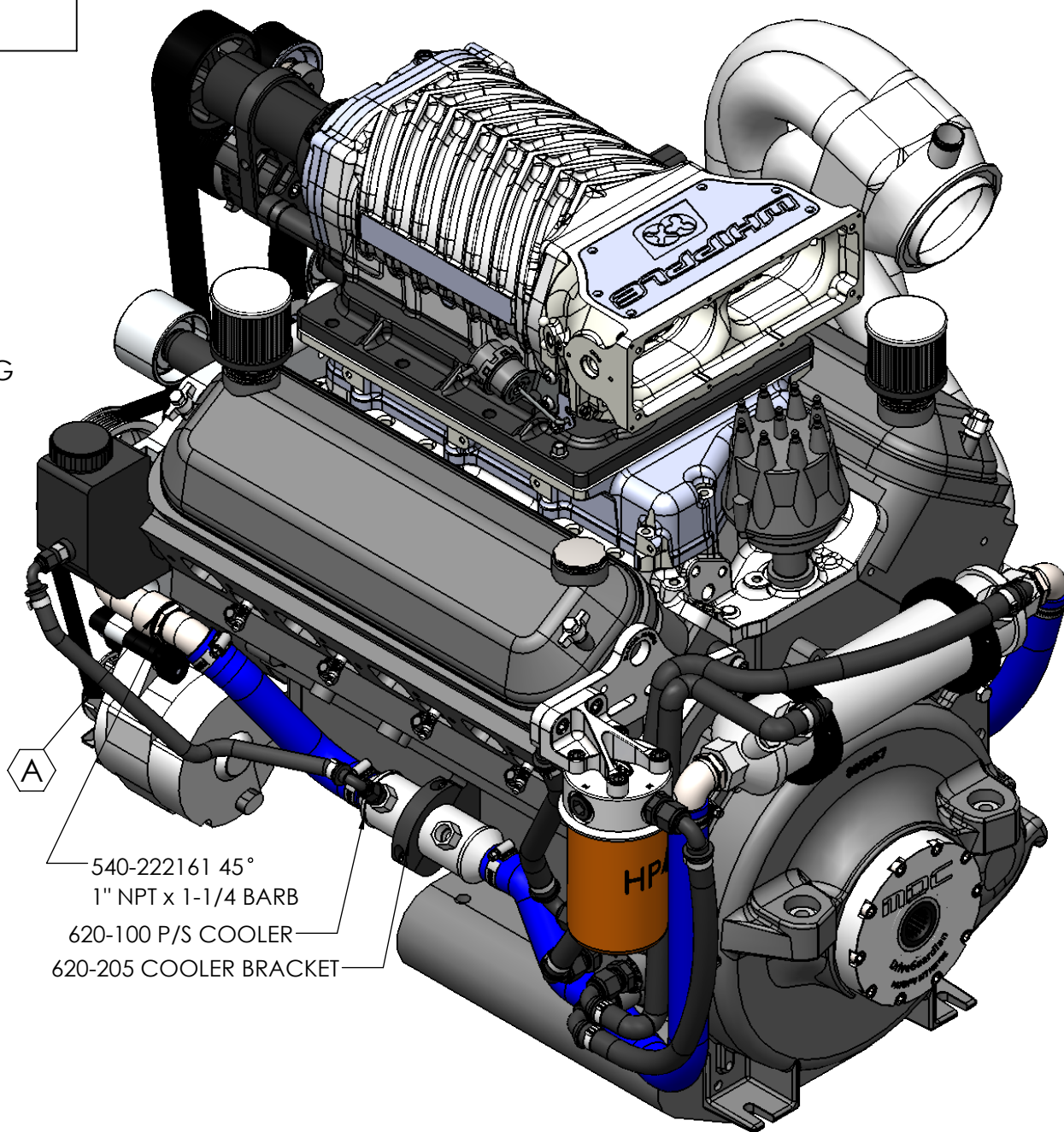
TITLE:
WHIPPLE 3.9L DRIVE KIT - STEP 8

www.hardin-marine.com

ASSEMBLY IS USED FOR 625-8258, 625-8259 &
625-8260 DRIVE KITS.

INSTALLATION INSTRUCTIONS:

- 1) TYPICAL PORT SIDE FRESH WATER PLUMBING SHOWN. THE FRESH WATER INLET HOSE IS SHOWN IN BLUE.
- 2) COME OUT OF THE ENGINE COOLER AND RUN THROUGH THE POWER STEERING COOLER.
- 3) COME OUT OF THE POWER STEERING COOLER RUN UP THE WATER INLET TUBE WITH 1" FEMALE BUNG, FIG. A.
- 4) SHOWN WITH 1-1/4 HOSE WITH 540-222161 HOSE BARB. YOU CAN ALSO USE -24 HOSE.



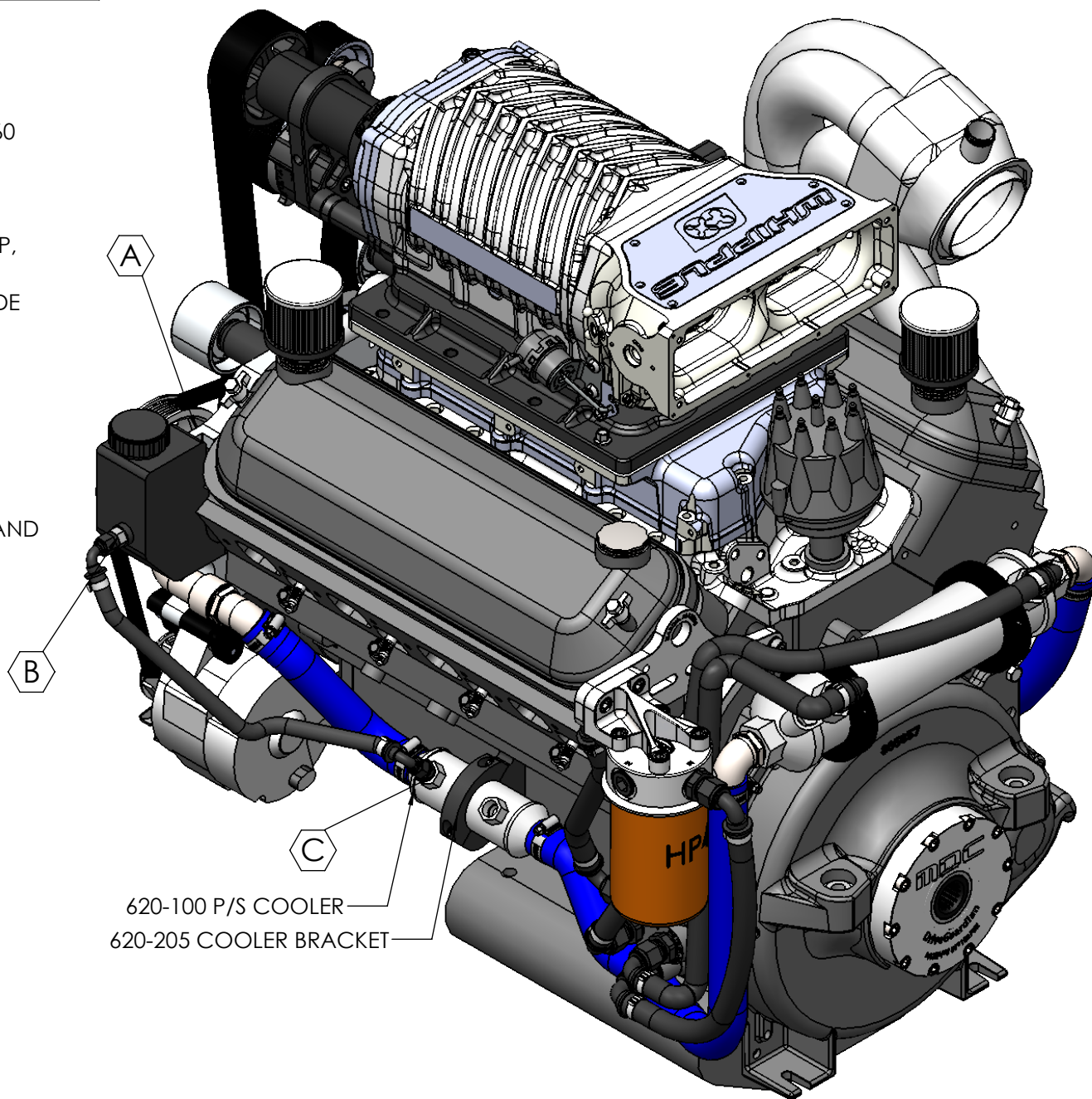
TITLE:
WHIPPLE 3.9L DRIVE KIT - STEP 9

www.hardin-marine.com

ASSEMBLY IS USED FOR 625-8258, 625-8259 & 625-8260
DRIVE KITS.

POWER STEERING PLUMBING:

- 1) -6 JIC HIGH PRESSURE FITTING COMES OUT THE TOP,
SIDE OF THE PUMP, FIG. A.
- 2) -6 JIC LOW PRESSURE RETURN COMES INTO THE SIDE
OF THE RESERVOIR, FIG. B.
- 3) AS SHOWN IN THE DRAWING, THE LOW PRESSURE
RETURN COMES FROM THE POWER STEERING OIL
COOLER, FIG. C.
- 4) IF USING WITH EXTERNAL POWER STEERING
RESERVOIR, PURCHASE 625-8171 DUMP CAP TO
CONNECT TO RESERVOIR. CAP OFF THE LOWER
PRESSURE RETURN. COME OUT OF THE OIL COOLER AND
RETURN THE RESERVOIR.
- 5) USE GM POWER STEERING FLUID.



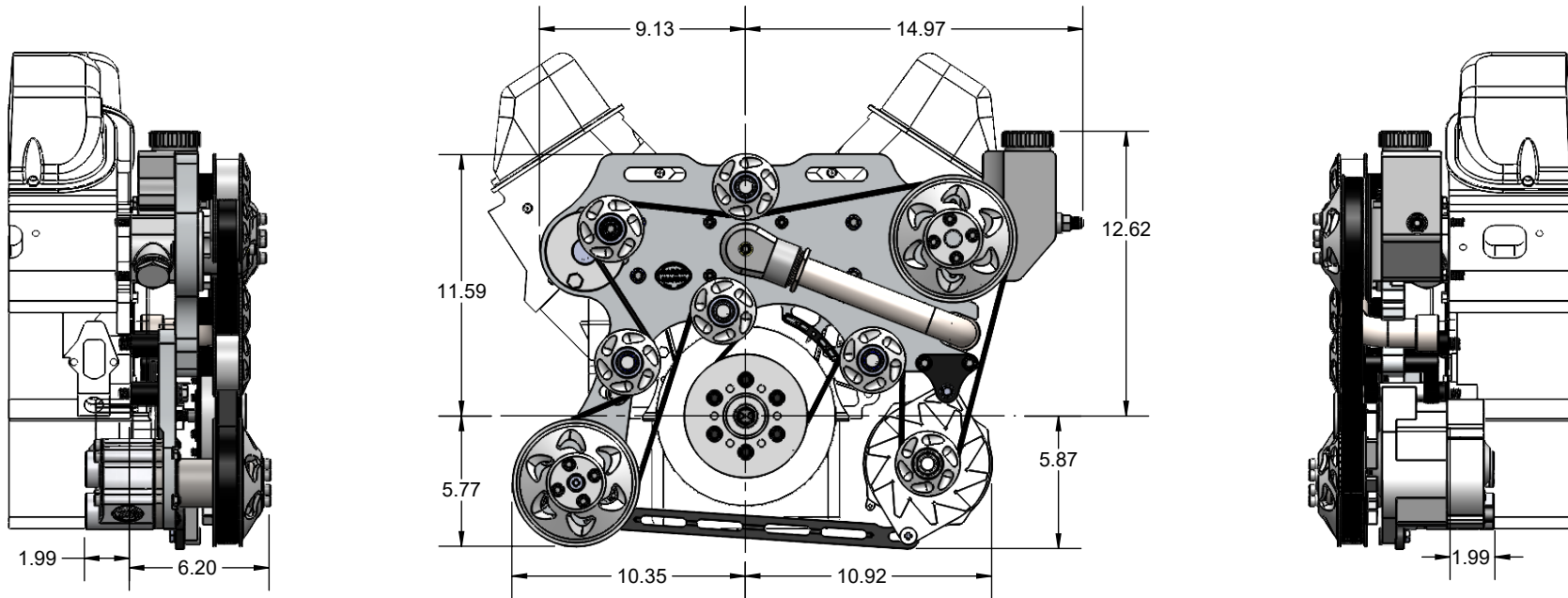
620-100 P/S COOLER
620-205 COOLER BRACKET

HARDIN 11 Industry Dr. Palm Coast, FL 32137
MARINE 386-445-2500 / FAX 386-445-1122

PART NO.
625-8258

TITLE:
WHIPPLE 3.9L DRIVE KIT

www.hardin-marine.com



THIS DRAWING IS CONFIDENTIAL AND IS SUPPLIED ON EXPRESS CONDITION THAT IT SHALL NOT BE LENT, COPIED OR DISCLOSED TO ANY OTHER PERSON OR USED FOR ANY OTHER PURPOSE WITHOUT WRITTEN CONSENT OF HARDIN MARINE INC.. BREACH OF THIS CONTRACT WILL HOLD AND IT'S PRINCIPALS LIABLE FOR LOSS AND DAMAGES.