

HARDIN
MARINE

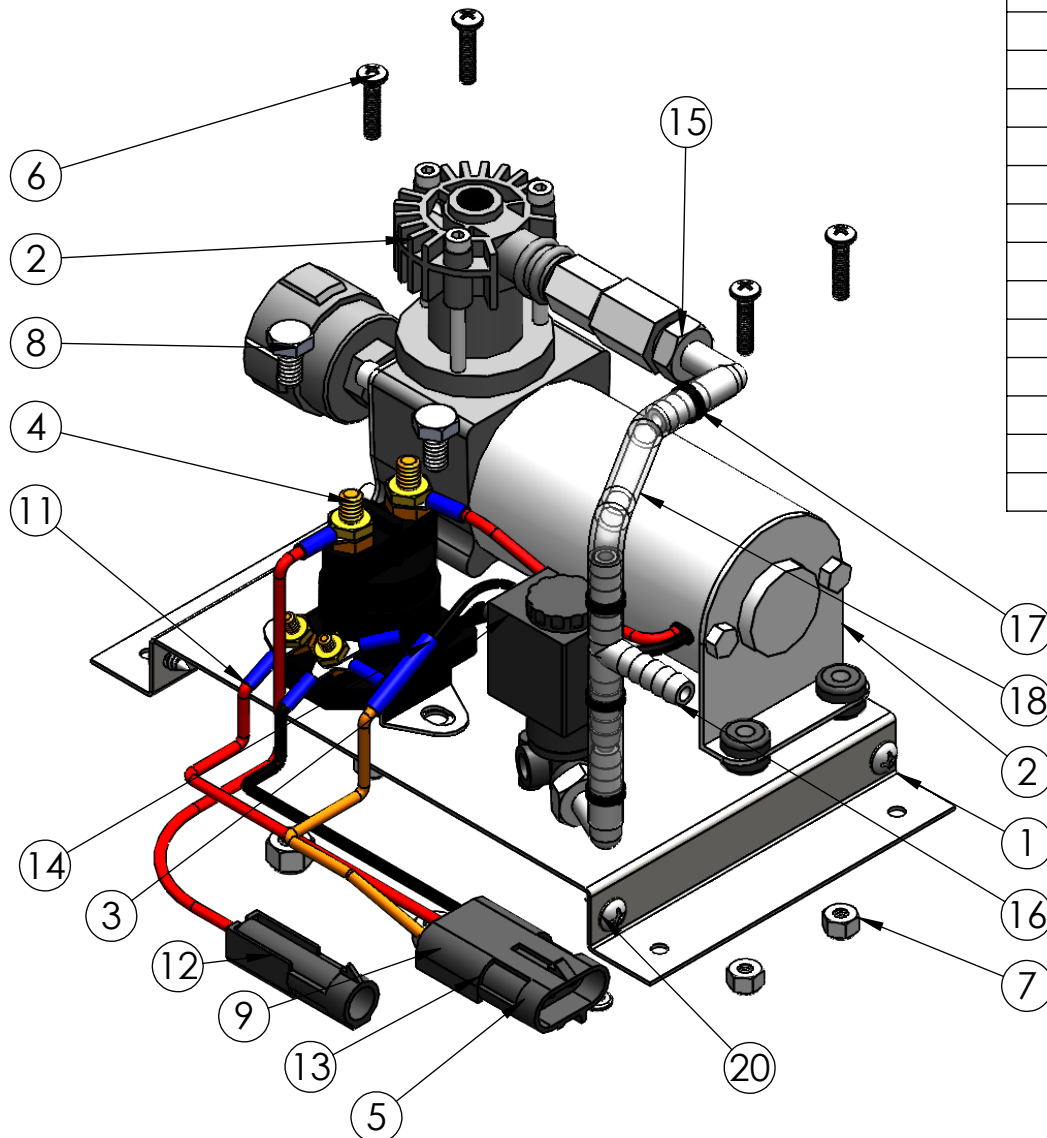
11 Industry Dr. Palm Coast, FL 32137
386-445-2500 / FAX 386-445-1122

PART NO.
620-286510

TITLE:

SINGLE PANEL PNEUMATIC PUMP KIT

www.hardin-marine.com



ITEM NO.	PART NUMBER	DESCRIPTION	QTY.
1	620-286511	BASE	1
2	620-286513	PUMP, AIR DIVERTOR	1
3	620-386512	VALVE, AIR DIVERTOR	1
4	137-8081	RELAY, VERTICAL POSTIVE	1
5	90008C037PBS	BOLT,8-32x3/8	2
6	90008C075PBS	BOLT,8-32x3/4	4
7	90008CN-FNSS	NUT, NYLON, 8-32	4
8	90025C050HHS	BOLT,1/4-20x.50	2
9	90025CN-FNSS	NUT, 1/4-20	2
10	910-31504	1/4 TERMINAL RING 14-16	2
11	910-31503	TERMINAL RING, 16 GA	7
12	120-8174	1 WIRE CONNECTOR	1
13	120-8172	3 WIRE CONNECTOR	1
14	910-31760	14-16 BUTT CONNECTOR	1
15	910-33-038	FITTING, 1/8NPT x 1/4 BARB	4
16	910-33-422	TEE, 1/4 HOSE	2
17	620-2131	WIRE TIE	12
18	910-973215	HOSE	15
19	620-286512	COVER	1
20	90010S038PBS	SCREW, #10-3/8	4

KIT COMES WITH 15' OF 910-973215 HOSE AND FITTINGS TO INSTALL IN THE AIR ACTUATOR. KIT ALSO INCLUDES 725-9302 TOGGLE SWITCH, NOT SHOWN. SHOWN WITHOUT 620-286512 COVER.

THIS DRAWING IS CONFIDENTIAL AND IS SUPPLIED ON EXPRESS CONDITION THAT IT SHALL NOT BE LENT, COPIED OR DISCLOSED TO ANY OTHER PERSON OR USED FOR ANY OTHER PURPOSE WITHOUT WRITTEN CONSENT OF HARDIN MARINE INC.. BREACH OF THIS CONTRACT WILL HOLD AND IT'S PRINCIPALS LIABLE FOR LOSS AND DAMAGES.

HARDIN
MARINE

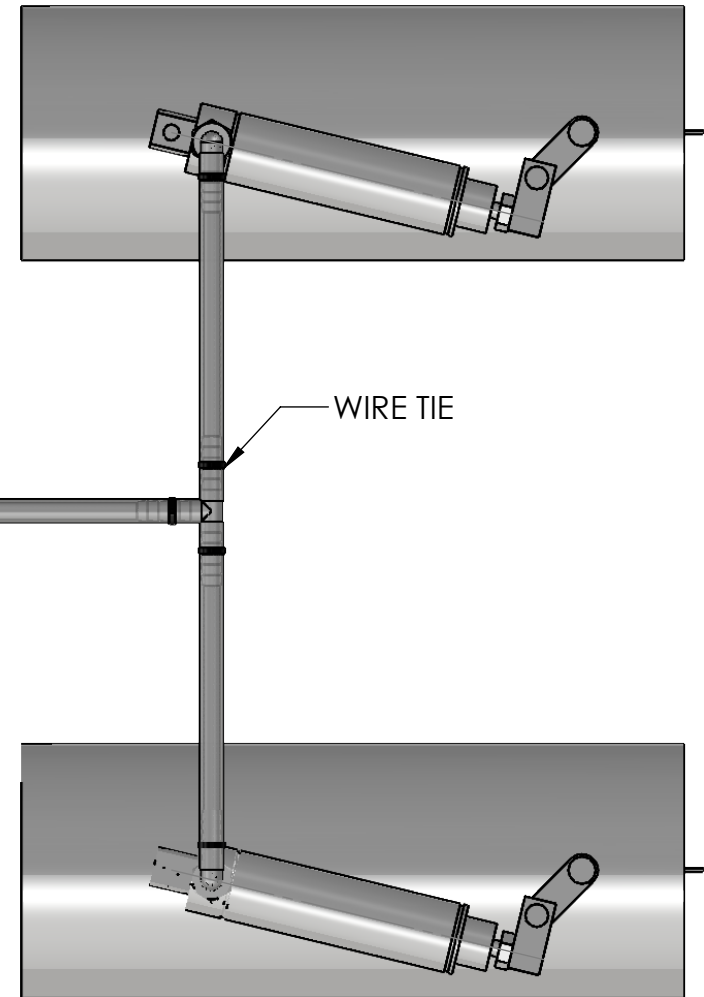
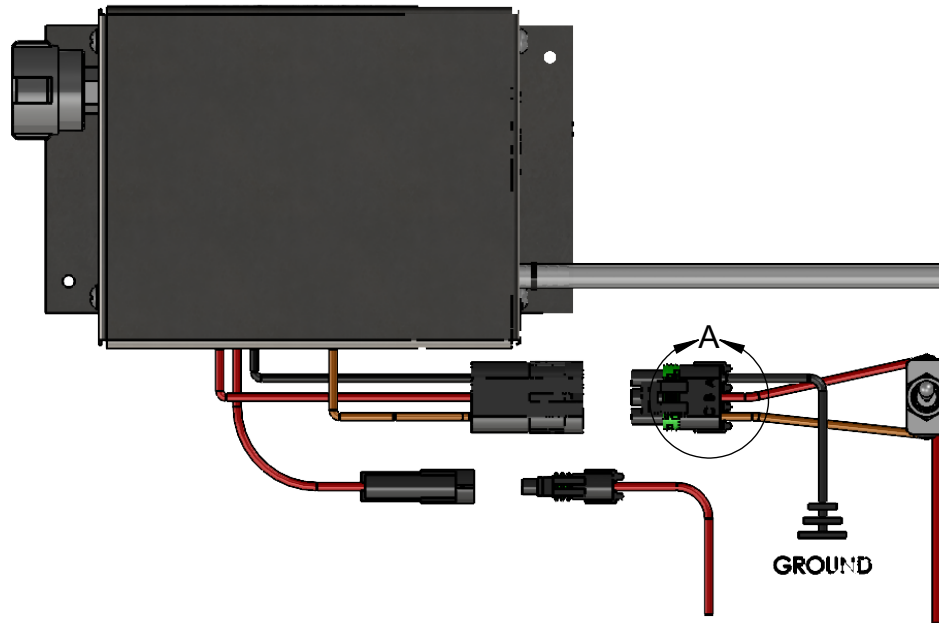
11 Industry Dr. Palm Coast, FL 32137
386-445-2500 / FAX 386-445-1122

PART NO.
620-286510

TITLE:

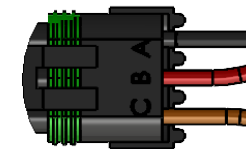
SINGLE PANEL PNEUMATIC PUMP KIT

www.hardin-marine.com



INSTALLATION INSTRUCTIONS:

- 1) EACH KIT COMES WITH MOM-ON/OFF/MON-ON TOGGLE SWITCH, 15' OF HOSE, WIRE TIES, TEE AND AIR DIVERTOR FITTINGS. WIRES FROM THE PUMP TO THE TOGGLE ARE NOT INCLUDED.
- 2) THE FEMALE PLUG CONNECTIONS COME INSTALLED. THE MALE SIDE OF THE CONNECTORS ARE SUPPLIED.
- 3) THE SINGLE CONNECTOR GOES TO 12 VOLT POWER SUPPLY.
- 4) MOUNT TOGGLE SWITCH WITHIN DRIVERS REACH.
- 5) THE CENTER TANG OF THE TOGGLE SWITCH, GOES TO 12 VOLT POWER SUPPLY.
- 6) THE 3 WIRE CONNECTOR IS MARKED A, B, & C, SEE DETAIL A.
- 7) THE "A" PORT WIRE GOES TO GROUND, SHOWN IN BLACK.
- 8) THE "B" PORT WIRE GOES TO THE TOP OF THE TOP OF THE TOGGLE SWITCH, SHOWN IN RED. THIS WILL CLOSE THE DIVERTOR.
- 9) THE "C" PORT WIRE GOES TO THE BOTTOM OF THE TOGGLE SWITCH, SHOWN IN ORANGE. THIS WILL RELEASE DIVERTOR.
- 10) INSTALL FITTINGS IN THE AIR DIVERTORS. CONNECT THE 2 DIVERTORS WITH TEE. CONNECT TO TEE TO THE PUMP. INSTALL WIRE TIES TO SECURE HOSES.
- 11) TO OPERATE, HOLD TOGGLE IN THE UP POSITION FOR 3 SECONDS. THIS WILL CLOSE THE DIVERTORS AND RUN THE EXHAUST OUT THE Y-PIPE.



DETAIL A
SCALE 2 : 3

THIS DRAWING IS CONFIDENTIAL AND IS SUPPLIED ON EXPRESS CONDITION THAT IT SHALL NOT BE LENT, COPIED OR DISCLOSED TO ANY OTHER PERSON OR USED FOR ANY OTHER PURPOSE WITHOUT WRITTEN CONSENT OF HARDIN MARINE INC.. BREACH OF THIS CONTRACT WILL HOLD AND IT'S PRINCIPALS LIABLE FOR LOSS AND DAMAGES.

HARDIN
MARINE

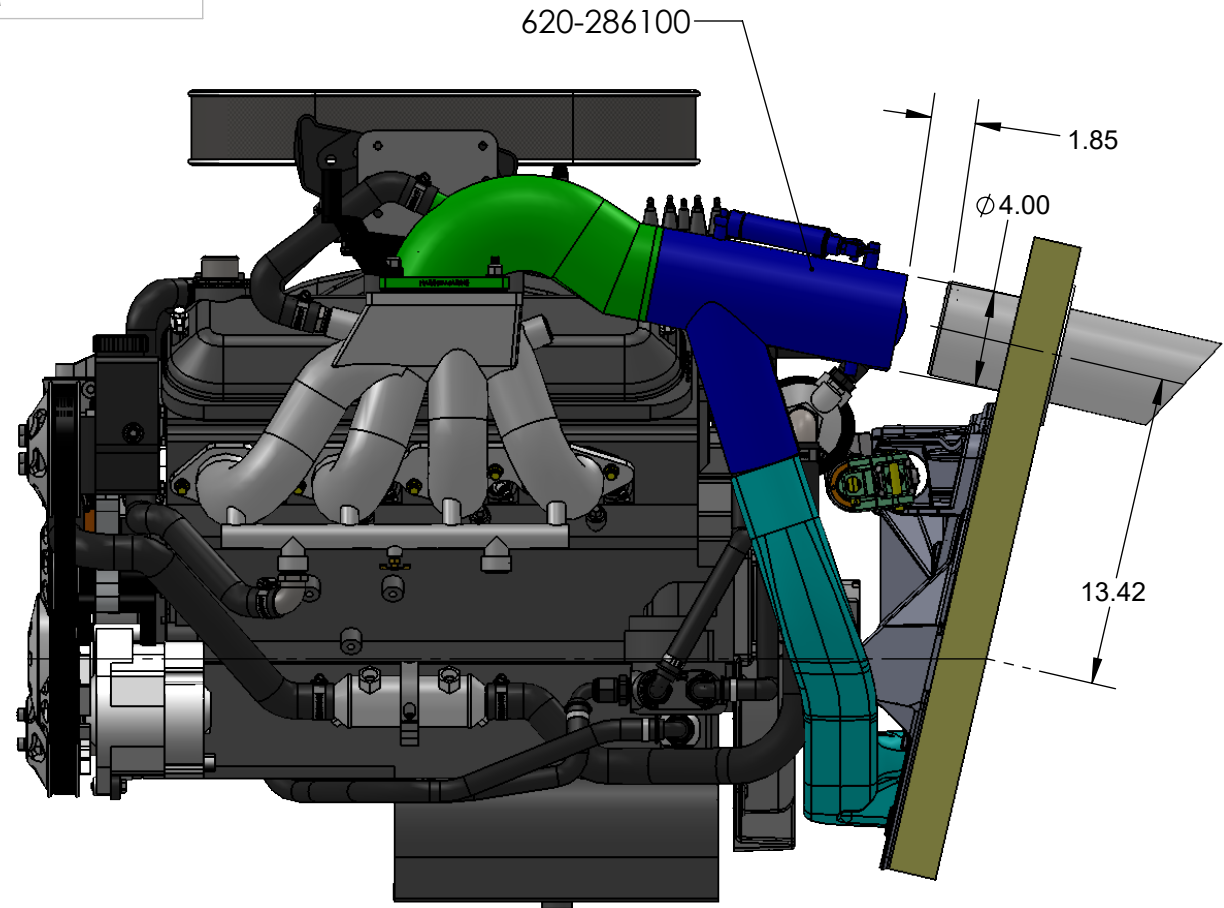
11 Industry Dr. Palm Coast, FL 32137
386-445-2500 / FAX 386-445-1122

PART NO.

620-286100

TITLE: SOUND-SELECTION AIR ACTIVATED 4"
EXHAUST DIVERTOR SYSTEM

www.hardin-marine.com



INSTALLATION INSTRUCTIONS:

- 1) YOUR ORIGINAL UPPER AND LOWER EXHAUST BELLOWS CAN BE REUSED.
- 2) YOU WILL NEED TO PURCHASE 16" OF 100-200-4004 EXHAUST HOSE AND (4) 100-720-6372 HOSE CLAMPS TO COMPLETE THE INSTALLATION.
- 3) THESE DIVERTORS WILL NOT WORK WITH MERCURY DRY JOINT, MERCURY 8.1, OMC OR VOLVO ENGINES.

THIS DRAWING IS CONFIDENTIAL AND IS SUPPLIED ON EXPRESS CONDITION THAT IT SHALL NOT BE LENT, COPIED OR DISCLOSED TO ANY OTHER PERSON OR USED FOR ANY OTHER PURPOSE WITHOUT WRITTEN CONSENT OF HARDIN MARINE INC.. BREACH OF THIS CONTRACT WILL HOLD AND IT'S PRINCIPALS LIABLE FOR LOSS AND DAMAGES.

HARDIN
MARINE

11 Industry Dr. Palm Coast, FL 32137
386-445-2500 / FAX 386-445-1122

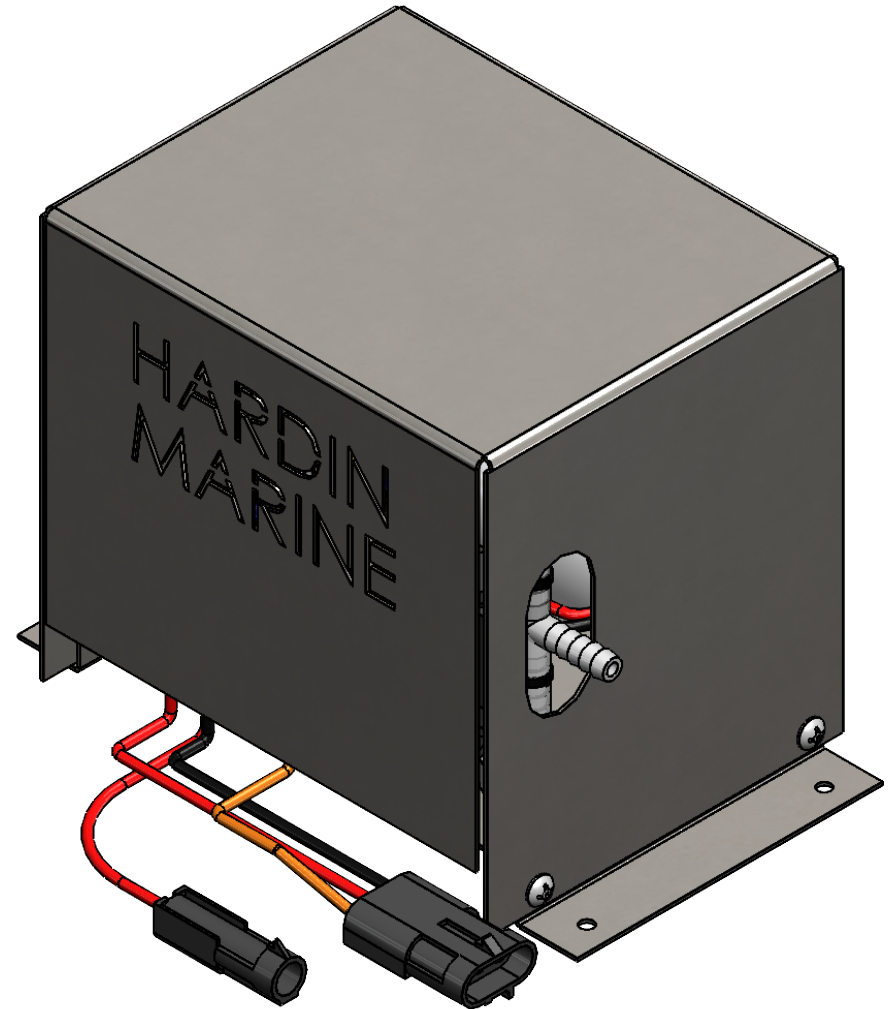
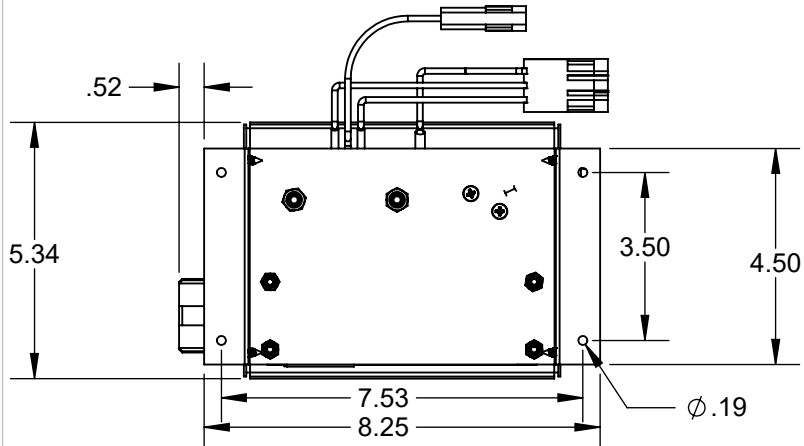
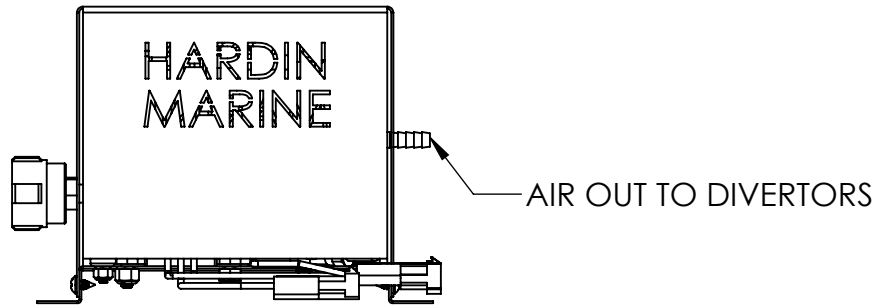
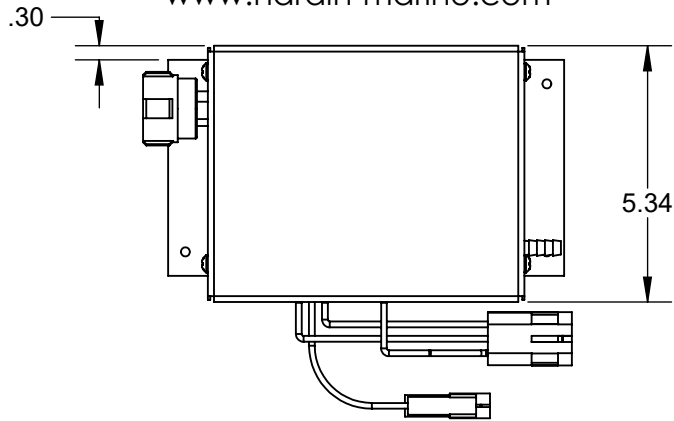
PART NO.

620-286510

TITLE:

SINGLE PANEL PNEUMATIC PUMP KIT

www.hardin-marine.com



THIS DRAWING IS CONFIDENTIAL AND IS SUPPLIED ON EXPRESS CONDITION THAT IT SHALL NOT BE LENT, COPIED OR DISCLOSED TO ANY OTHER PERSON OR USED FOR ANY OTHER PURPOSE WITHOUT WRITTEN CONSENT OF HARDIN MARINE INC.. BREACH OF THIS CONTRACT WILL HOLD AND IT'S PRINCIPALS LIABLE FOR LOSS AND DAMAGES.