

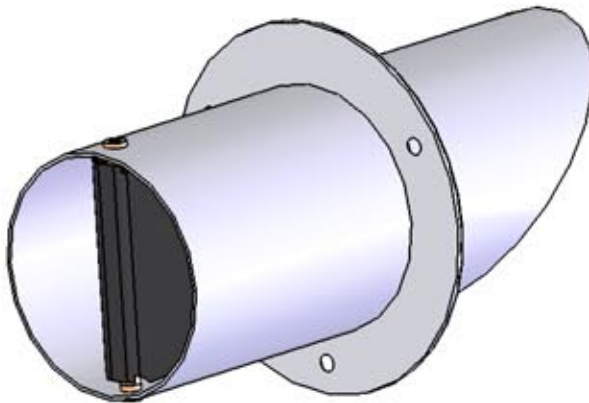
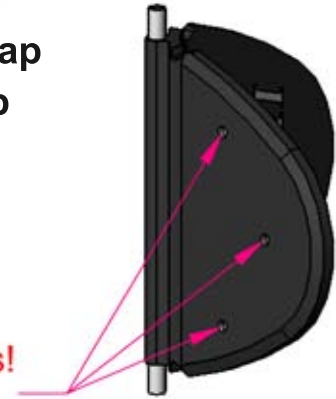
IMCO

410-280172 3 1/2" Replacement Flap
410-280173 4" Replacement Flap

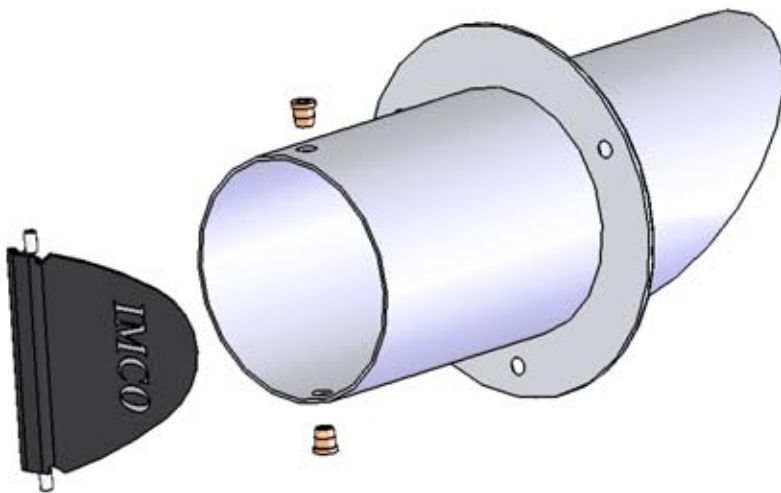


Flaps **MUST BE** installed like this!
Must see IMCO on outside of flap.

NOT like This!
No dots



1. To remove flap; strip away excess rubber from pin.
2. Support the bottom bushing with a metal object with a hole for the pin to protrude.
3. Use a pin punch to drive the flap pin down through the top bushing. (Pin should fall out).



1. To install flapper; place flap pins in holes with IMCO logo on the outside.
2. Place bushings over each pin and started in the holes.
3. Support the bottom bushing with a metal base and hammer bushing until they are flush with outside of exhaust tip.
4. Use caution not to bend pin or distort the tip.