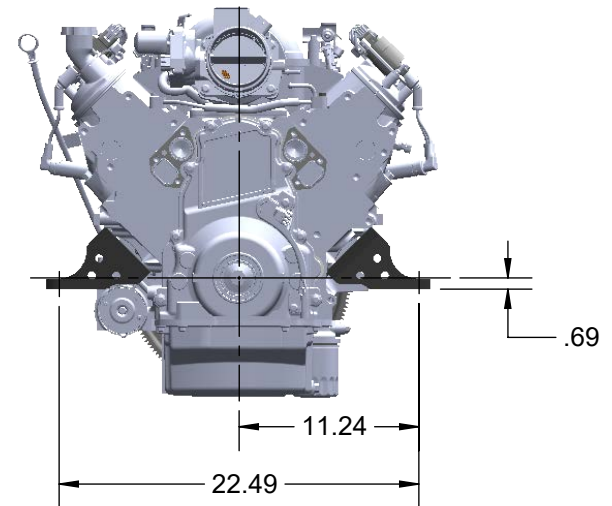
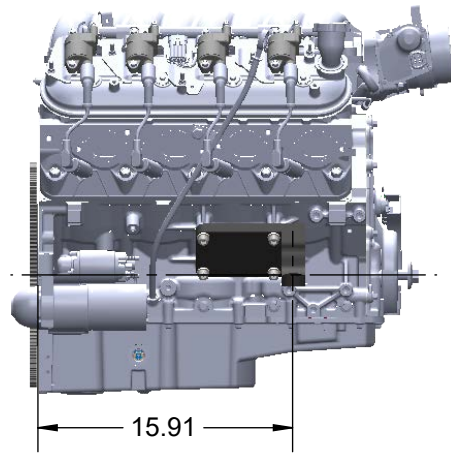
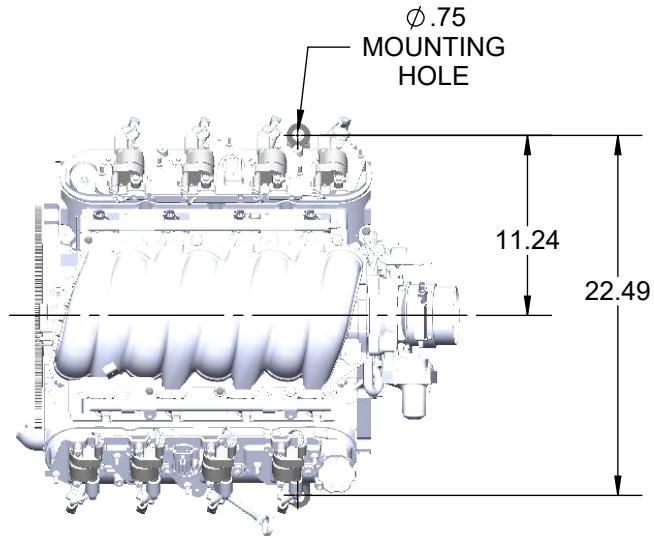
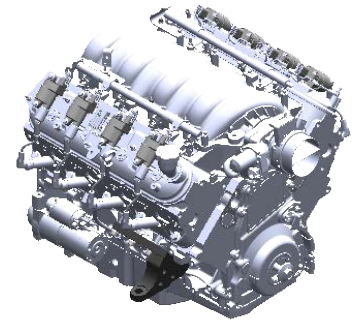


HARDIN 11 Industry Dr. Palm Coast, FL 32137
MARINE 386-445-2500 / FAX 386-445-1122

PART NO.
625-8545

TITLE:
LS ENGINE MOUNT

www.hardin-marine.com



THIS DRAWING IS CONFIDENTIAL AND IS SUPPLIED ON EXPRESS CONDITION THAT IT SHALL NOT BE LENT, COPIED OR DISCLOSED TO ANY OTHER PERSON OR USED FOR ANY OTHER PURPOSE WITHOUT WRITTEN CONSENT OF HARDIN MARINE INC.. BREACH OF THIS CONTRACT WILL HOLD AND IT'S PRINCIPALS LIABLE FOR LOSS AND DAMAGES.

HARDIN MARINE 11 Industry Dr. Palm Coast, FL 32137
386-445-2500 / FAX 386-445-1122

PART NO.
625-8545

ITEM NO.	PART NUMBER	DESCRIPTION	QTY.
1	625-8544	BASE, LS ENGINE MOUNT	2
2	625-8543	PAD, LS MOTOR MOUNT	2
3	900M10AN-STSS	WASHER, M10	8
4	900M10C025SHS	BOLT, SHCS, M10x 25	6
5	900M10C035SHS	BOLT, SHCS, M10x 35	8

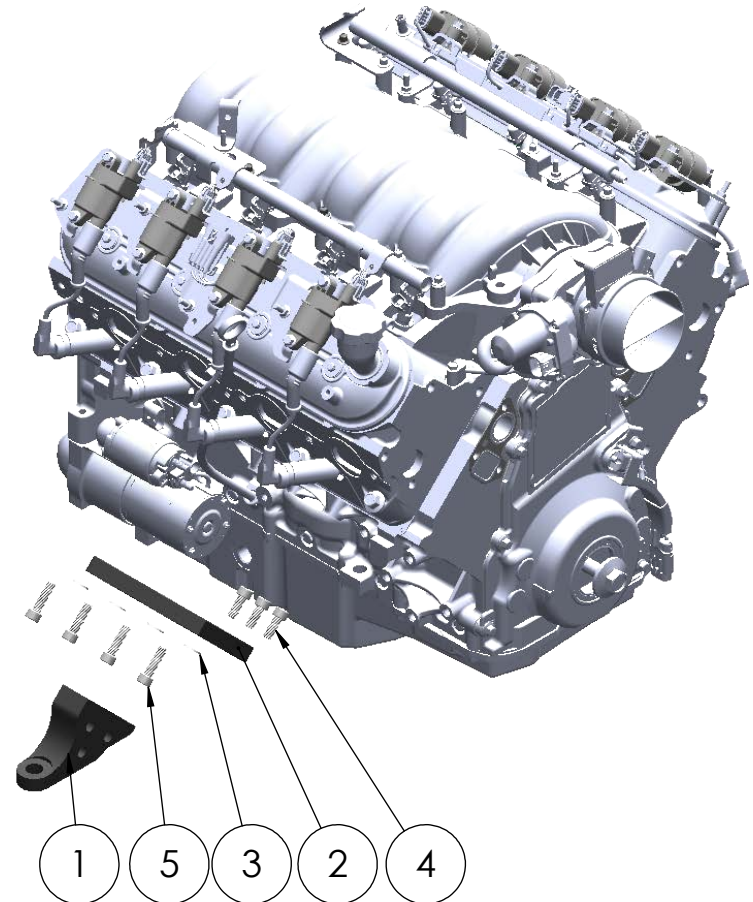
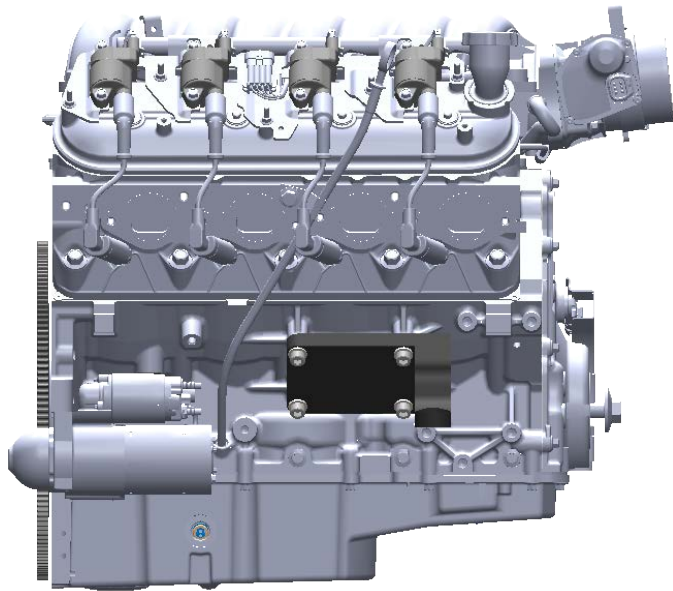
TITLE:

LS ENGINE MOUNT INSTALLATION

www.hardin-marine.com

INSTALLATION INSTRUCTIONS:

- 1) #2 625-8543 PAD WILL MOUNT ON EITHER SIDE. INSTALL WITH THE 3 COUNTER BORED HOLES TOWARDS ENGINE BLOCK.
- 2) APPLY RED LOCTITE TO THE #4 900M10C025SHS BOLTS. INSTALL THE BOLTS INTO THE COUNTER BORED HOLES IN THE #2 625-8543 PAD. SCREW INTO #1 625-8544 BASE MOUNT. TORQUE TO 35 FT. LBS..
- 3) MOUNT ASSEMBLY TO THE ENGINE BLOCK WITH #5 900M10C035SHS BOLTS AND #3 900M10AN-STSS WASHER. APPLY ANTI SIEZE TO THE BOLTS AND TORQUE TO 25 FT. LBS..



THIS DRAWING IS CONFIDENTIAL AND IS SUPPLIED ON EXPRESS CONDITION THAT IT SHALL NOT BE LENT, COPIED OR DISCLOSED TO ANY OTHER PERSON OR USED FOR ANY OTHER PURPOSE WITHOUT WRITTEN CONSENT OF HARDIN MARINE INC.. BREACH OF THIS CONTRACT WILL HOLD AND IT'S PRINCIPALS LIABLE FOR LOSS AND DAMAGES.