

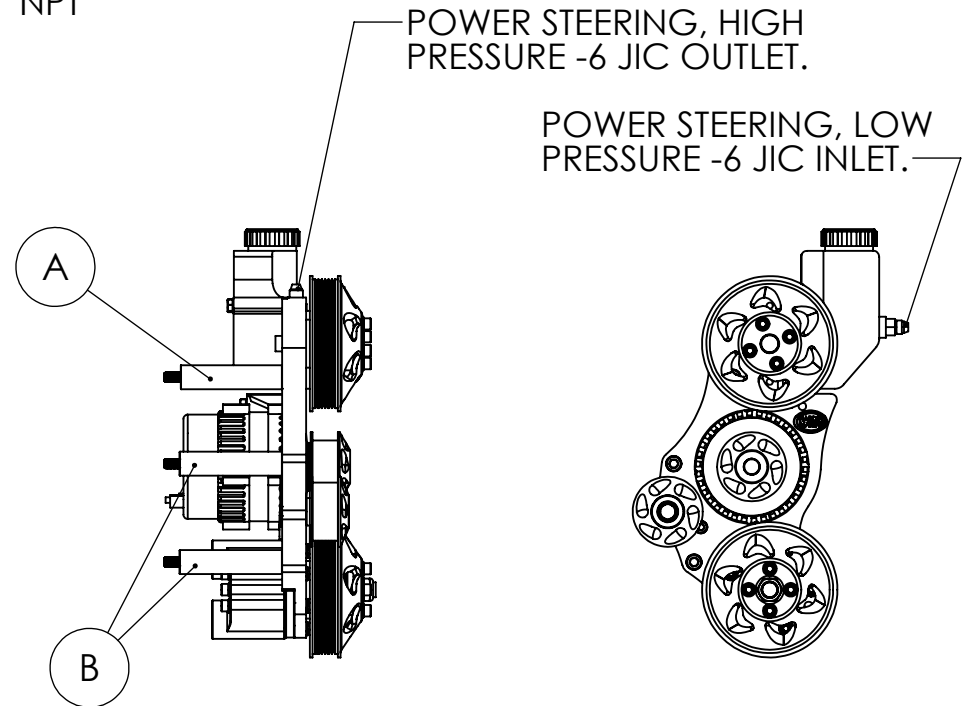
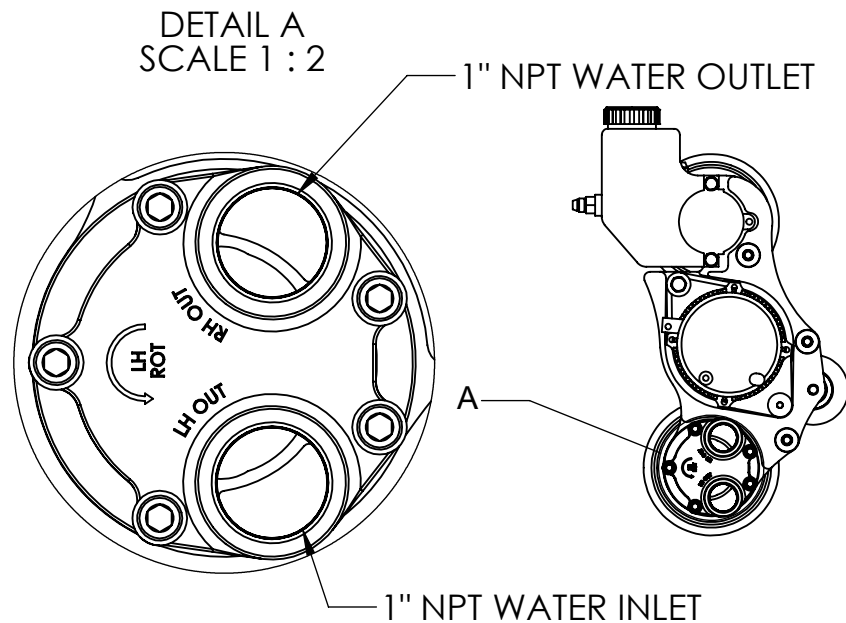
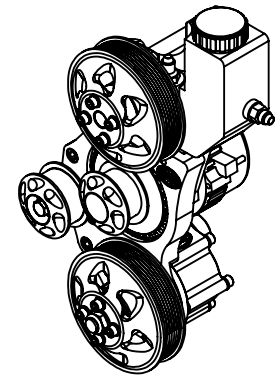
HARDIN MARINE 11 Industry Dr. Palm Coast, FL 32137  
386-445-2500 / FAX 386-445-1122

PART NO.  
625-8336

TITLE:  
LS ACCESSORY BRACKET

www.hardin-marine.com

THIS ACCESSORY BRACKET COMES PRE ASSEMBLED FROM THE FACTORY. THIS BRACKET IS ATTACHED TO THE BLOCK AND HEAD WITH THE SUPPLIED 10MM BOLTS AND SPACERS. SPACER, FIG. A, IS SHORTER THAN THE OTHER 2 SPACERS, FIG. B. THIS SPACER MOUNTS TO THE HEAD. THE OTHER 2 TO THE BLOCK. USE RED LOCTITE AND TORQUE TO 30-35FT LBS..  
DETAIL A SHOWS THE BACK OF THE SEA WATER PUMP. THE 1" NPT WATER INLET IS ON THE BOTTOM. THE 1" NPT WATER OUTLET IS ON THE TOP.



HARDIN MARINE 11 Industry Dr. Palm Coast, FL 32137  
386-445-2500 / FAX 386-445-1122

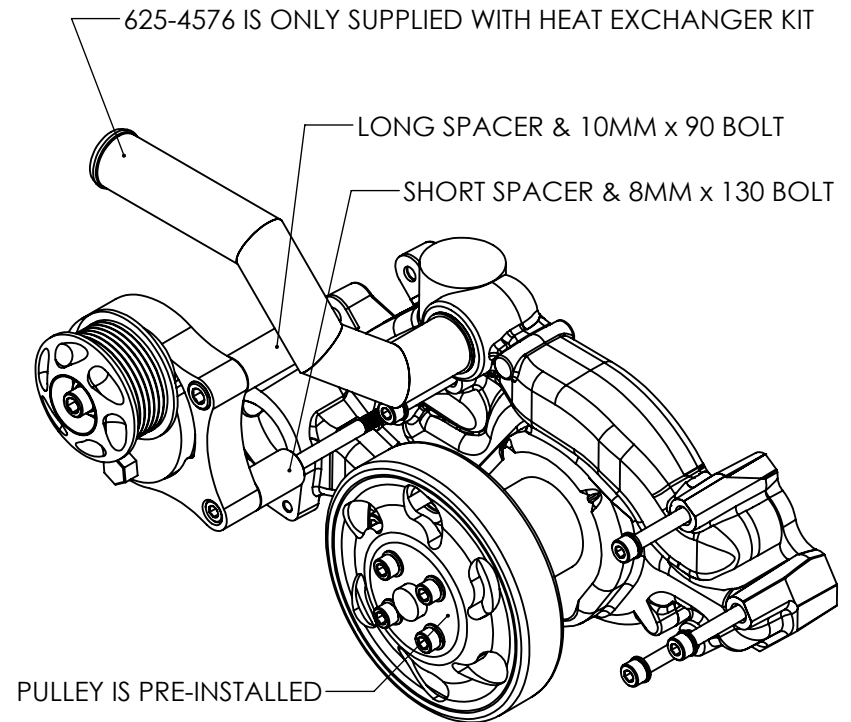
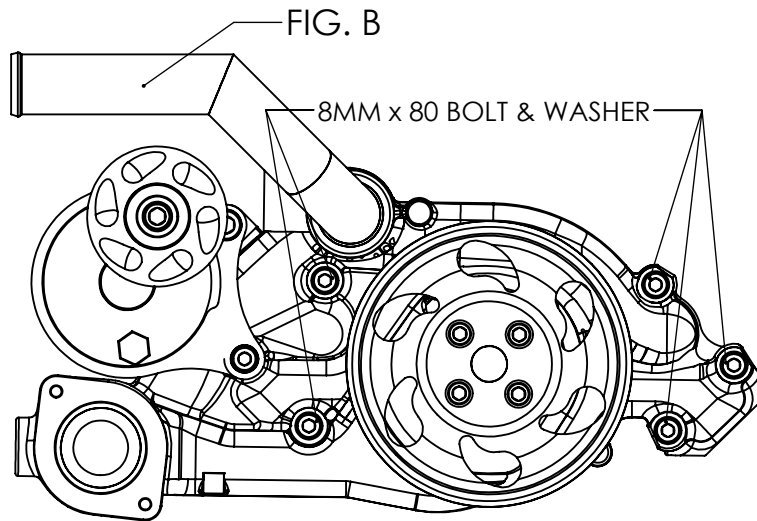
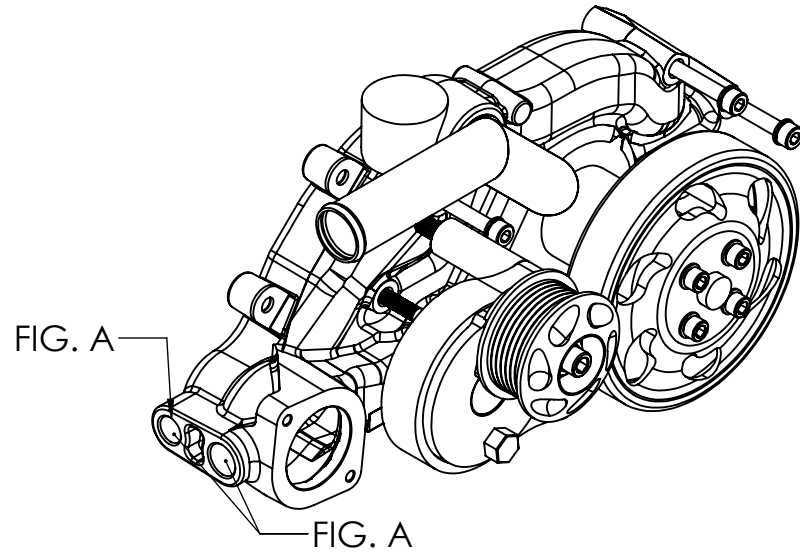
PART NO.  
625-8335

TITLE:  
LS TENSIONER & CIRC PUMP ASSEMBLY

[www.hardin-marine.com](http://www.hardin-marine.com)

INSTALLATION INSTRUCTIONS:

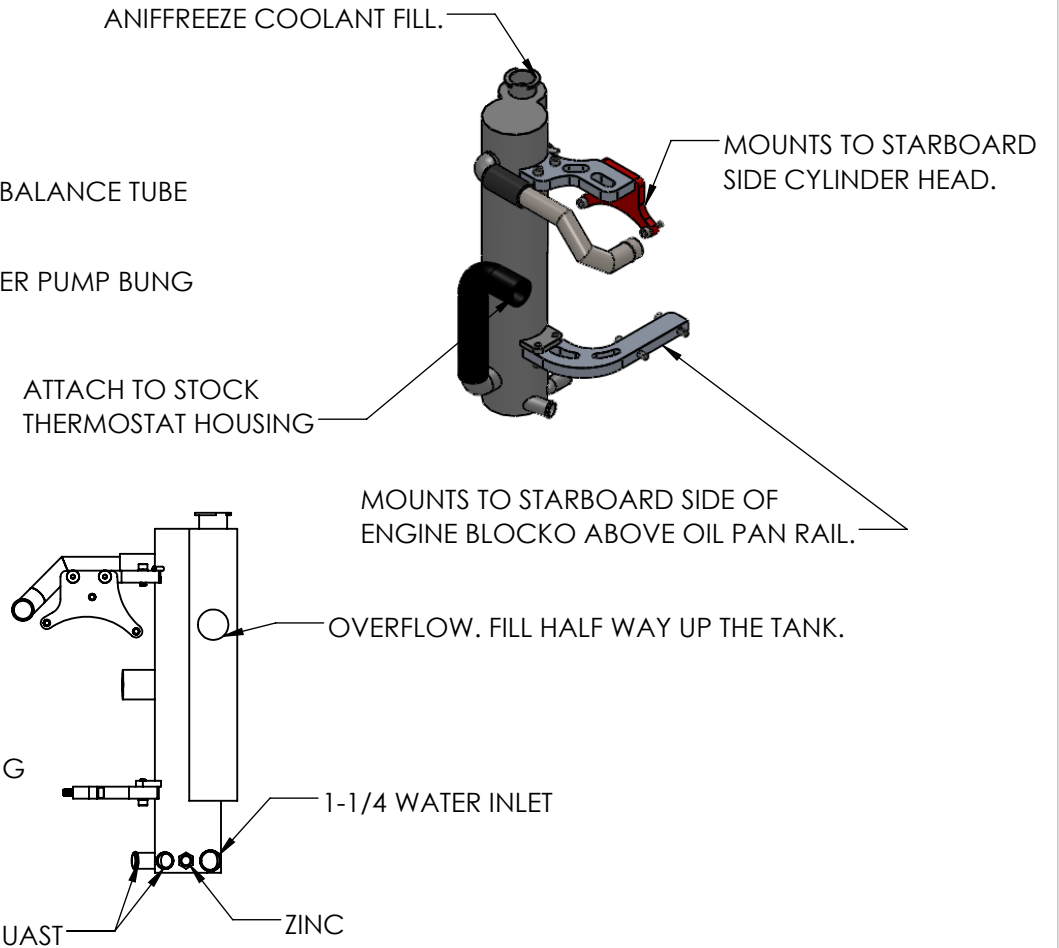
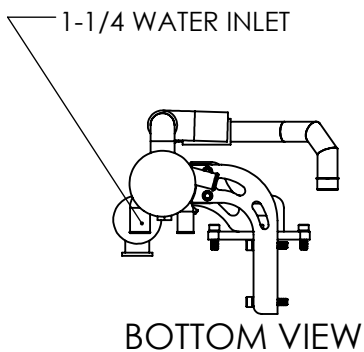
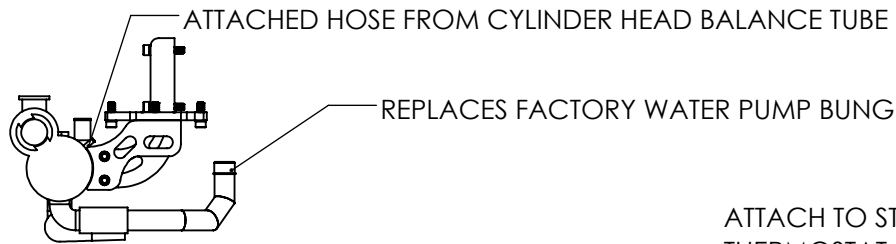
- 1) APPLY ANTI-SIEZE TO THE (5) 8MM x 80 BOLTS AND WASHERS.
- 2) THE TENSIONER IS PRE-INSTALLED ON CIRCULATING PUMP. SLIDE 8MM x 130 BOLT THROUGH PUMP. APPLY ANTI-SIEZE.
- 3) INSTALL GASKET BETWEEN BLOCK AND CIRCULATING PUMP. INSTALL CIRCULATING PUMP AND TORQUE TO 20-25 FT. LBS..
- 4) IF KIT WAS PURCHASED WITH HEAT EXCHANGER, THE 2 BYPASS BARBS ARE REMOVED AND PIPE PLUGS ARE INSTALLED. SEE FIGURE A. IF NOT, BARBS ARE LEFT IN. WE STILL SUPPLY BOTH 3/8 & 1/2 PIPE PLUG. FIGURE B SHOWS 625-4576 TUBE THAT ONLY COMES WITH HEAT EXCHANGER KIT.



TITLE:

LS HEAT EXCHANGER AND BRACKETS

[www.hardin-marine.com](http://www.hardin-marine.com)

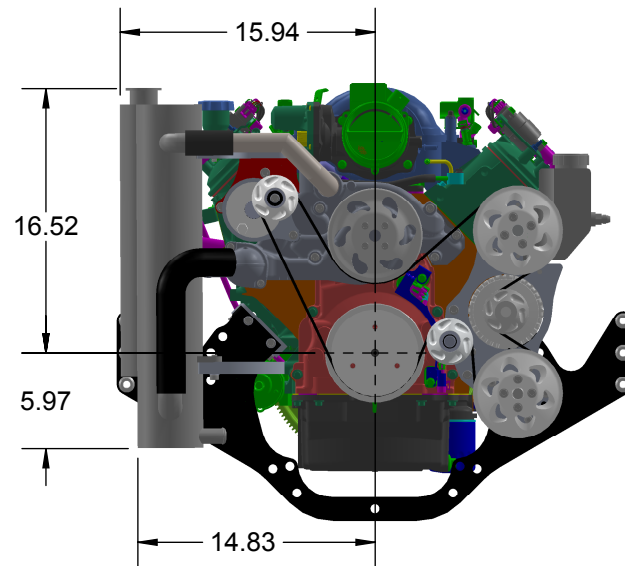
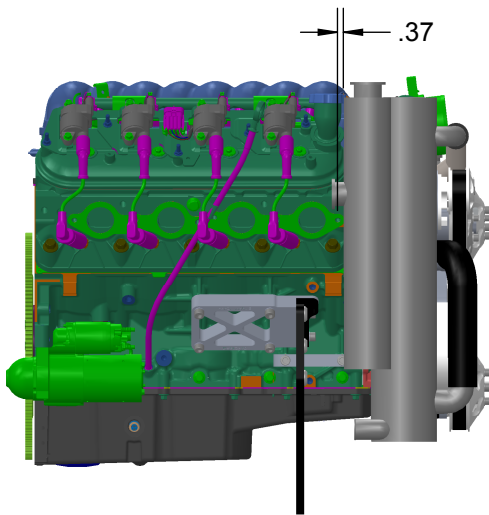
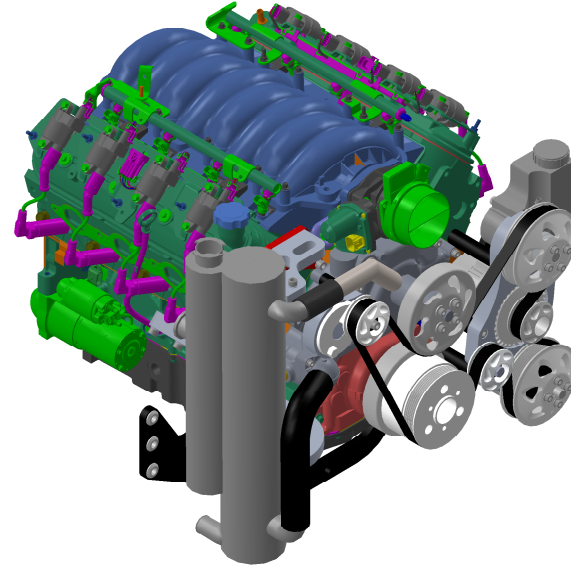


HARDIN MARINE 11 Industry Dr. Palm Coast, FL 32137  
386-445-2500 / FAX 386-445-1122

PART NO.  
625-4574

TITLE:  
LS HEAT EXHCHANGER INSTALLED VIEWS

[www.hardin-marine.com](http://www.hardin-marine.com)



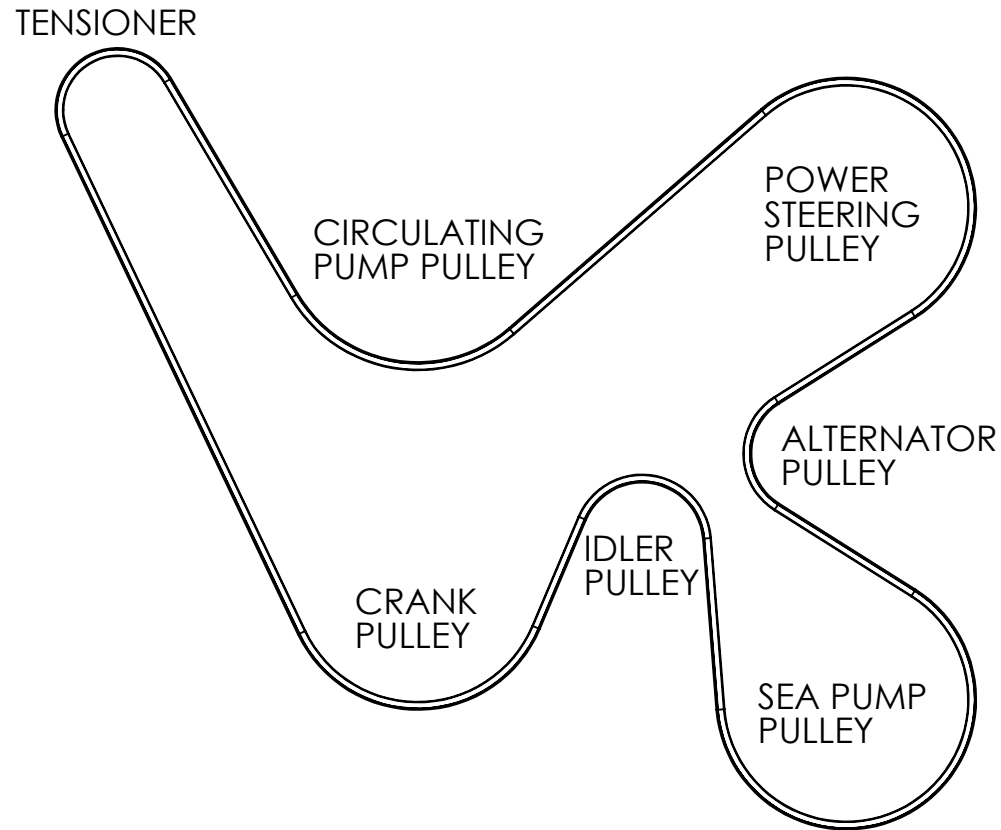
THIS DRAWING IS CONFIDENTIAL AND IS SUPPLIED ON EXPRESS CONDITION THAT IT SHALL NOT BE LENT, COPIED OR DISCLOSED TO ANY OTHER PERSON OR USED FOR ANY OTHER PURPOSE WITHOUT WRITTEN CONSENT OF HARDIN MARINE INC.. BREACH OF THIS CONTRACT WILL HOLD ..... AND IT'S PRINCIPALS LIABLE FOR LOSS AND DAMAGES.

HARDIN 11 Industry Dr. Palm Coast, FL 32137  
MARINE 386-445-2500 / FAX 386-445-1122

PART NO.  
625-2321

TITLE:  
BELT, LS PUMP KIT w/ POWER STEERING

[www.hardin-marine.com](http://www.hardin-marine.com)



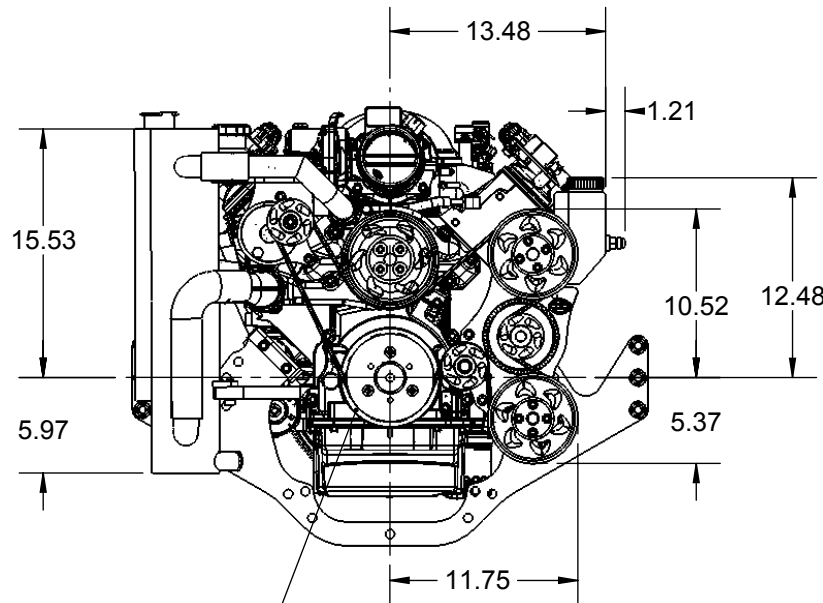
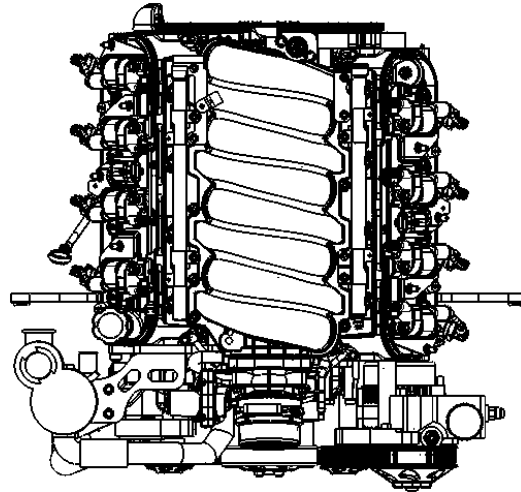
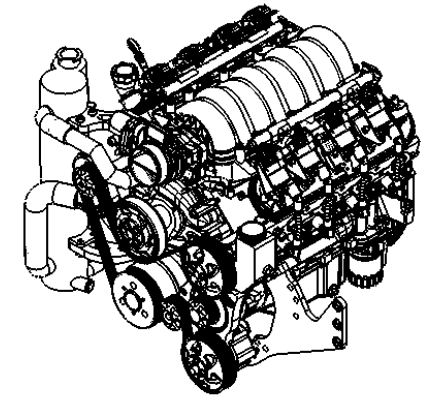
THIS DRAWING IS CONFIDENTIAL AND IS SUPPLIED ON EXPRESS CONDITION THAT IT SHALL NOT BE LENT, COPIED OR DISCLOSED TO ANY OTHER PERSON OR USED FOR ANY OTHER PURPOSE WITHOUT WRITTEN CONSENT OF HARDIN MARINE INC.. BREACH OF THIS CONTRACT WILL HOLD ..... AND IT'S PRINCIPALS LIABLE FOR LOSS AND DAMAGES.

HARDIN 11 Industry Dr. Palm Coast, FL 32137  
MARINE 386-445-2500 / FAX 386-445-1122

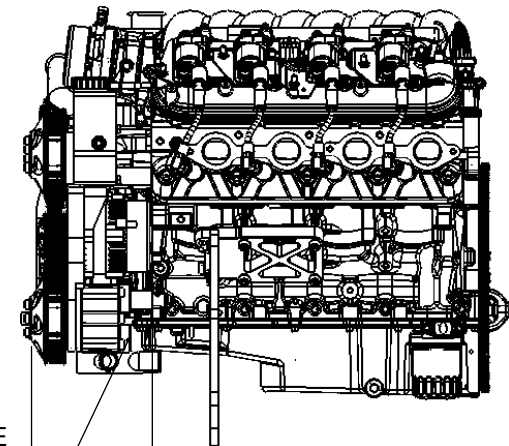
PART NO.  
625-8313

TITLE: LS DRIVE KIT w/ SINGLE STAGE SEA PUMP &  
CLOSED COOLING.

www.hardin-marine.com



REQUIRED 212-620121 FLUID  
DAMPER SOLD SEPERATELY.



7.55  
BLOCK FACE  
TO PULLEY  
FACE

SEA PUMP HAS 1" NPT INLET/OUTLET  
PORTS. FITTINGS SOLD SEPERATELY.

THIS DRAWING IS CONFIDENTIAL AND IS SUPPLIED ON EXPRESS CONDITION THAT IT SHALL NOT BE LENT, COPIED OR DISCLOSED TO ANY OTHER PERSON OR USED FOR ANY OTHER PURPOSE WITHOUT WRITTEN CONSENT OF HARDIN MARINE INC.. BREACH OF THIS CONTRACT WILL HOLD ..... AND IT'S PRINCIPALS LIABLE FOR LOSS AND DAMAGES.