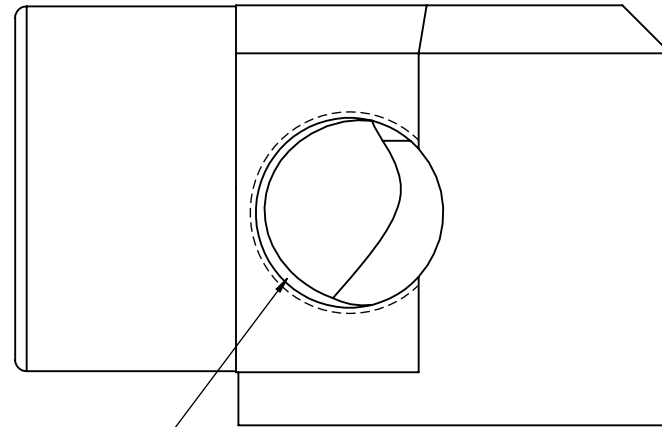
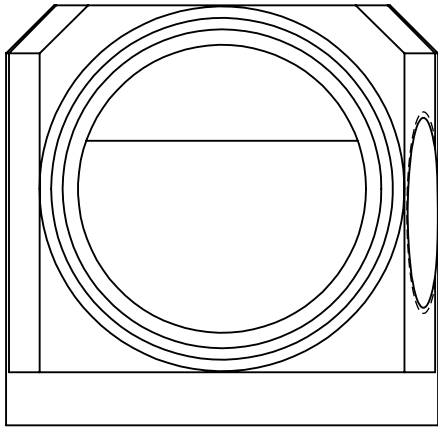
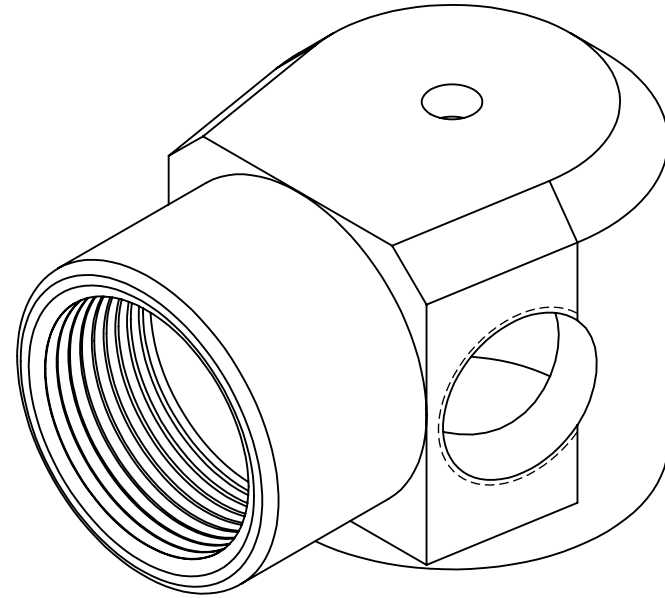


HARDIN 11 Industry Dr. Palm Coast, FL 32137
MARINE 386-445-2500 / FAX 386-445-1122

PART NO.
625-4359

TITLE:
INLET, SINGLE - LOW PROFILE

www.hardin-marine.com



3/4 NPT Tapped Hole