

HARDIN
MARINE

11 Industry Dr. Palm Coast, FL 32137
386-445-2500 / FAX 386-445-1122

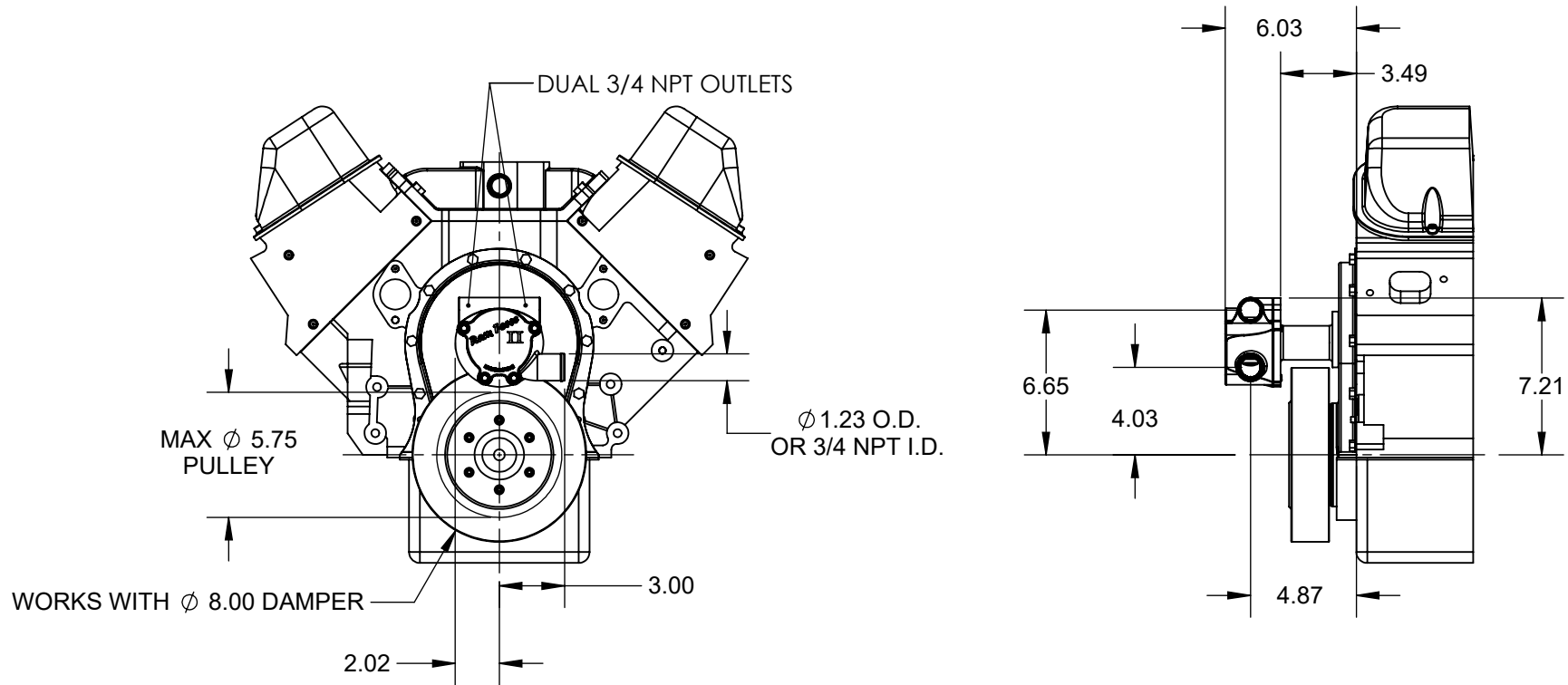
PART NO.

625-4115

TITLE:

RAM FORCE 2 CAM DRIVEN SEA PUMP

www.hardin-marine.com



THIS DRAWING IS CONFIDENTIAL AND IS SUPPLIED ON EXPRESS CONDITION THAT IT SHALL NOT BE LENT, COPIED OR DISCLOSED TO ANY OTHER PERSON OR USED FOR ANY OTHER PURPOSE WITHOUT WRITTEN CONSENT OF HARDIN MARINE INC.. BREACH OF THIS CONTRACT WILL HOLD AND IT'S PRINCIPALS LIABLE FOR LOSS AND DAMAGES.

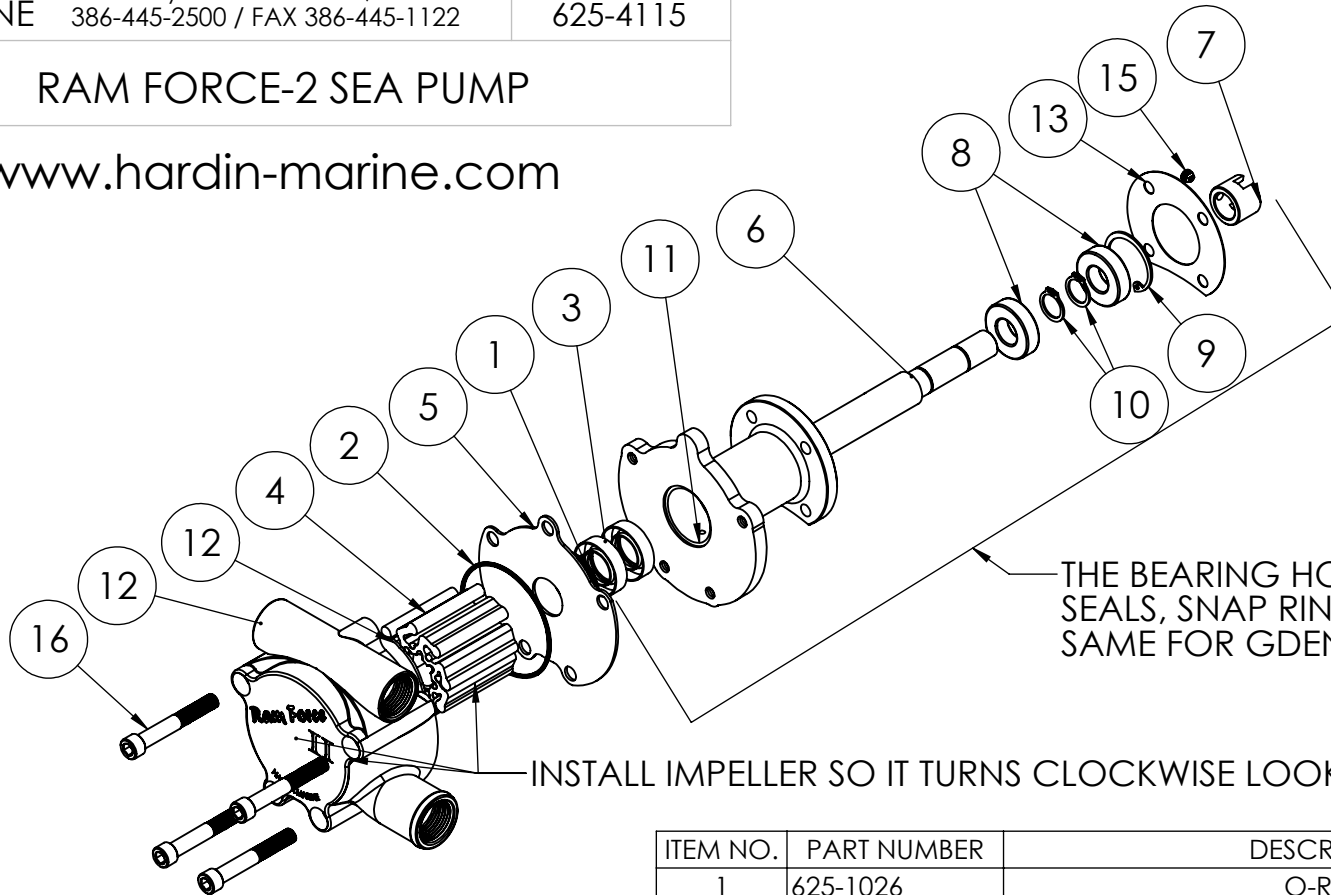
HARDIN MARINE 11 Industry Dr. Palm Coast, FL 32137
386-445-2500 / FAX 386-445-1122

PART NO.
625-4115

TITLE:

RAM FORCE-2 SEA PUMP

www.hardin-marine.com



THE BEARING HOUSING, SHAFT, BEARINGS, SEALS, SNAP RINGS AND DRIVER IS THE SAME FOR GGENERATIONS 1 & 2.

INSTALL IMPELLER SO IT TURNS CLOCKWISE LOOKING FROM THE FRONT

REBUILD KITS:

625-4238 STD IMPELLER KIT INCLUDES:
#1,2,4,5 & 12

625-4239 DELUXE REBUILD KITS INCLUDES:
#1,2,3,4,5,8,9,10,12 & 13

THIS DRAWING IS CONFIDENTIAL AND IS SUPPLIED ON EXPRESS CONDITION THAT IT SHALL NOT BE LENT, COPIED OR DISCLOSED TO ANY OTHER PERSON OR USED FOR ANY OTHER PURPOSE WITHOUT WRITTEN CONSENT OF HARDIN MARINE INC.. BREACH OF THIS CONTRACT WILL HOLD AND IT'S PRINCIPALS LIABLE FOR LOSS AND DAMAGES.

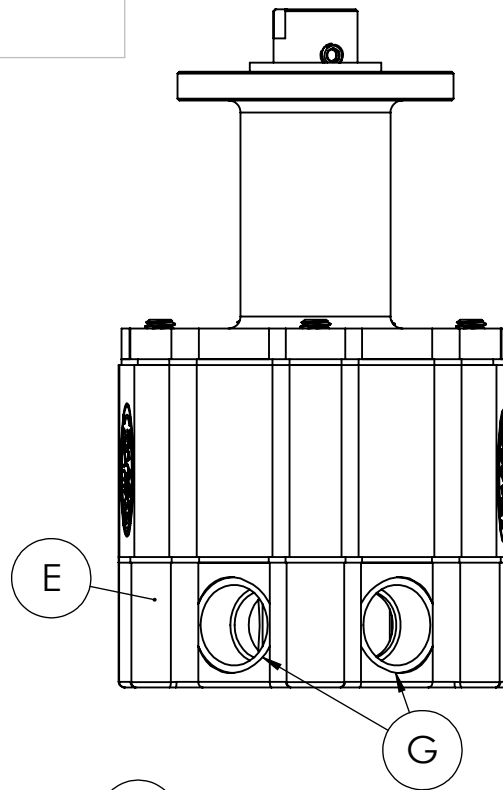
ITEM NO.	PART NUMBER	DESCRIPTION	QTY.
1	625-1026	O-RING	1
2	625-1037	O-RING	1
3	625-4005	SEAL, SEA PUMP	2
4	625-4011	IMPELLER, SEA PUMP	1
5	625-4018	WEAR PLATE, SEA PUMP	1
6	625-4250	SHAFT, CAM DRIVEN SEA PUMP	1
7	625-4251	DRIVER, CAM DRIVEN SEA PUMP	1
8	625-4252	BEARING, CAM DRIVEN SEA PUMP	2
9	625-4253	RING	1
10	625-4254	RING	2
11	625-4255	HOUSING, RAM FORCE 2	1
12	625-4265	WEAR PLATE, INTERNAL	1
13	625-4277	GASKET	1
12	625-4297	BODY, RAM FORCE 2	1
15	90025C018SS8	SET SCREW	1
16	90031C225SHS	BOLT	4

TITLE: RAM FORCE CAM DRIVEN SEA PUMP DIFFERENCES

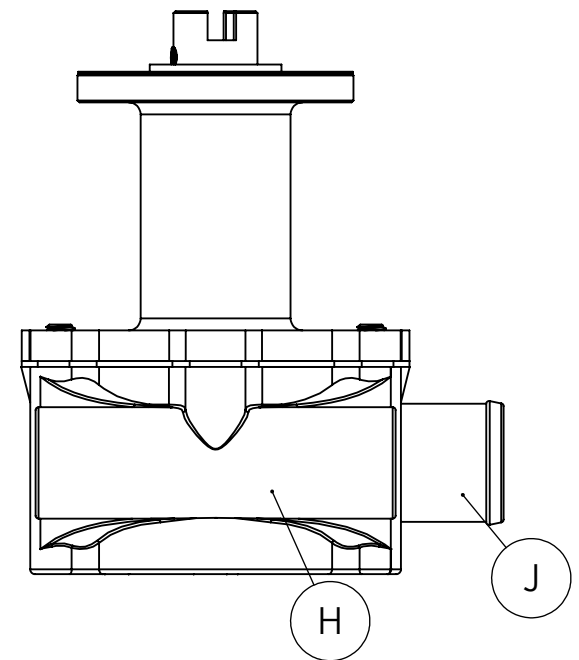
www.hardin-marine.com

GENERATION DIFFERENCES:

- 1) GENERATION 1 HAS HARDIN LOGO, FIG. A. GENERATION 2 SAYS RAM FORCE 2, FIG. B.
- 2) GENERATION 1 HAS 5 BOLT HOLES, FIG. C. GENERATION 2 HAS 4 BOLT HOLES, FIG. D.
- 3) GENERATION 1 PUMP HAS SEPERATE WATER INLET/OUTLET SECTION, FIG. E. THE WATER INLET IS ON THE STARBOARD SIDE, FIG. F. THE WATER OUTLETS COME OUT THE TOP, FIG. G
- 4) GENERATION 2 THE WATER INLET/OUTLETS ARE IN THE SAME HOUSING AS THE IMPELLER, FIG. H. THE WATER INLET IS ON THE PORT SIDE, FIG. J. THE WATER OUTLETS ARE HORIZONTAL AND EXITS TO THE SIDES, FIG.K.
- 5) YOU CAN UPGRADE YOUR EXISTING GENERATION 1 PUMP TO THE NEW STAINLESS GENERATION 2 HOUSING WITH 625-4235 UPGRADE KIT.



GENERATION 1



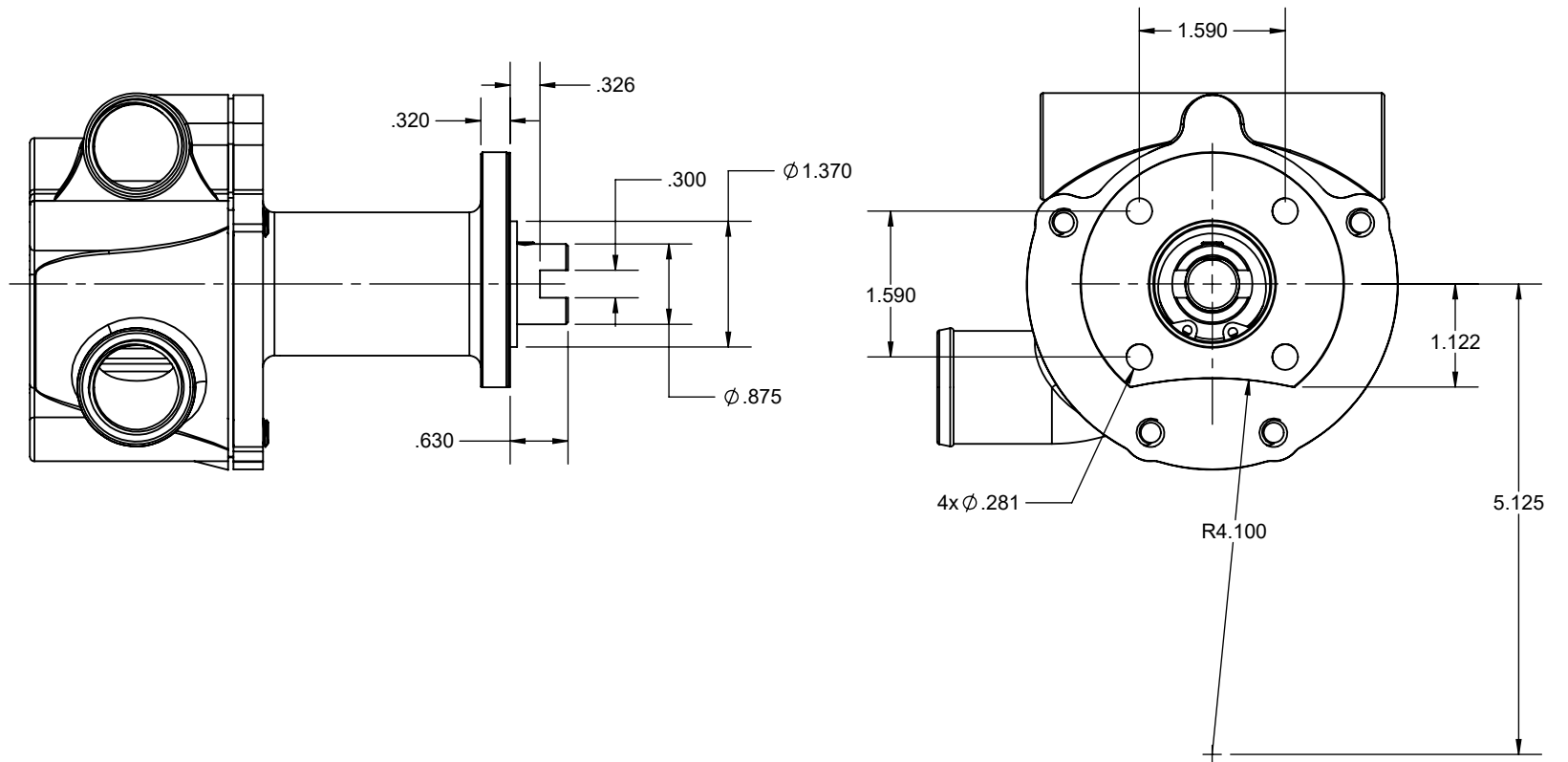
GENERATION 2

HARDIN 11 Industry Dr. Palm Coast, FL 32137
MARINE 386-445-2500 / FAX 386-445-1122

PART NO.
625-4115

TITLE:
CAM DRIVEN SEA PUMP

www.hardin-marine.com



THIS DRAWING IS CONFIDENTIAL AND IS SUPPLIED ON EXPRESS CONDITION THAT IT SHALL NOT BE LENT, COPIED OR DISCLOSED TO ANY OTHER PERSON OR USED FOR ANY OTHER PURPOSE WITHOUT WRITTEN CONSENT OF HARDIN MARINE INC.. BREACH OF THIS CONTRACT WILL HOLD AND IT'S PRINCIPALS LIABLE FOR LOSS AND DAMAGES.