

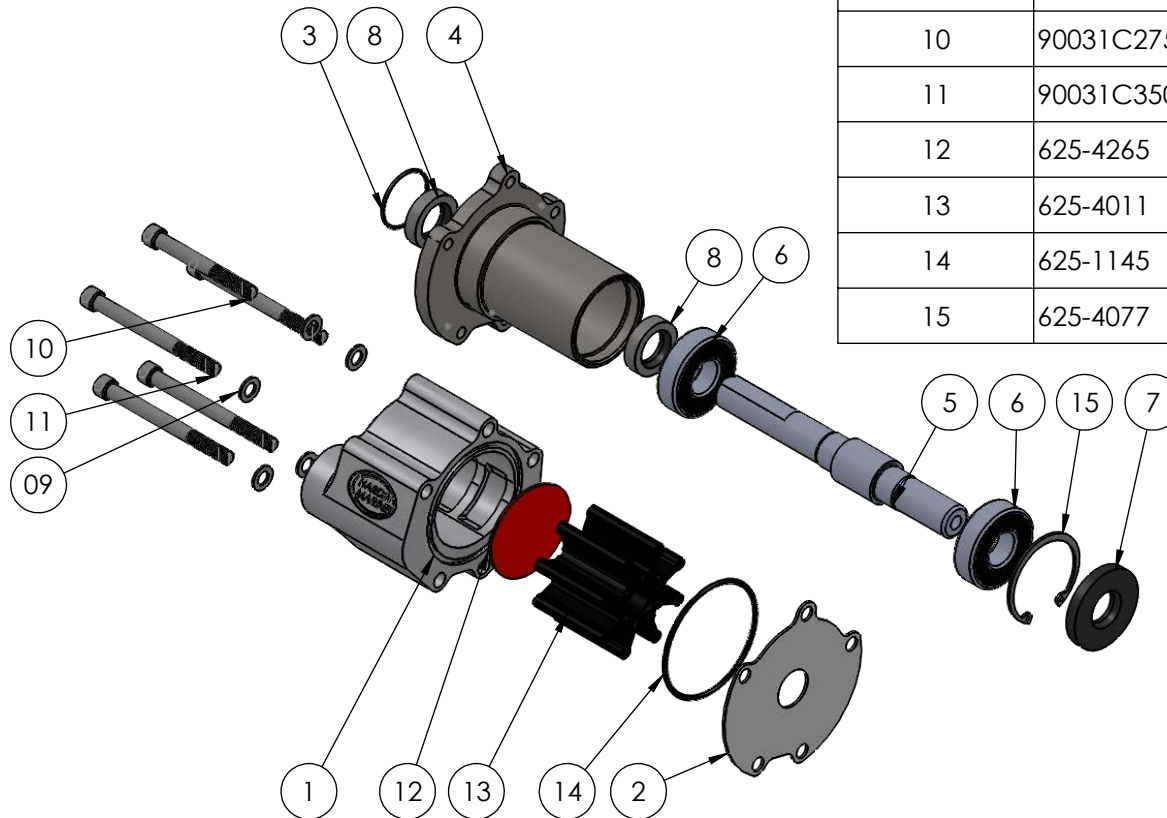
HARDIN MARINE 11 Industry Dr. Palm Coast, FL 32137
386-445-2500 / FAX 386-445-1122

PART NO.
625-4110

TITLE:
MERCURY GEN 4 SEA PUMP-PARTS BREAKDOWN

www.hardin-marine.com

| ITEM NO. | PART NUMBER | DESCRIPTION | QTY. |
|----------|--------------|---------------------------------|------|
| 1 | 625-4063 | BODY,2PC REPLACEMENT | 1 |
| 2 | 625-4018 | WEAR PLATE, SEA PUMP | 1 |
| 3 | 625-1026 | O-RING | 1 |
| 4 | 625-4075 | HOUSING, BEARING | 1 |
| 5 | 625-4076 | SHAFT, SINGLE STAGE | 1 |
| 6 | 625-4078 | BEARING, MERCURY GEN 4 SEA PUMP | 2 |
| 7 | 625-4079 | SEAL, FRONT - SEA PUMP | 1 |
| 8 | 625-4005 | SEAL, SEA PUMP | 2 |
| 09 | 90031AN-STSS | WASHER, 5/16 AN | 5 |
| 10 | 90031C275SHS | BOLT - SHCS - 5/16-18x2.75 | 1 |
| 11 | 90031C350SHS | BOLT - SHCS - 5/16-18x3.50 | 4 |
| 12 | 625-4265 | WEAR PLATE, INTERNAL | 1 |
| 13 | 625-4011 | IMPELLER, SEA PUMP | 1 |
| 14 | 625-1145 | O-RING | 1 |
| 15 | 625-4077 | SNAP RING | 1 |



GENERATION 2 SHOWN. CHANGE THE PART NUMBERS BELOW FOR GEN 1:
#12: 625-4081
#14: 625-1037

THIS DRAWING IS CONFIDENTIAL AND IS SUPPLIED ON EXPRESS CONDITION THAT IT SHALL NOT BE LENT, COPIED OR DISCLOSED TO ANY OTHER PERSON OR USED FOR ANY OTHER PURPOSE WITHOUT WRITTEN CONSENT OF HARDIN MARINE INC.. BREACH OF THIS CONTRACT WILL HOLD AND IT'S PRINCIPALS LIABLE FOR LOSS AND DAMAGES.

HARDIN MARINE 11 Industry Dr. Palm Coast, FL 32137
386-445-2500 / FAX 386-445-1122

PART NO.

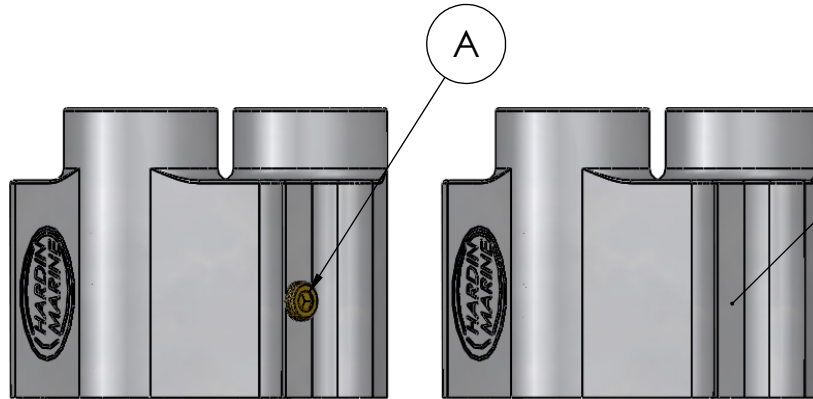
FOR GEN 4 SEA PUMPS:
625-4100
625-4103
625-4105
625-4106
625-4107
625-4109
625-4110
625-4118
625-4178

REPLACEMENT REBUILD KITS
GEN 1:
625-4173 MASTER REBUILD KIT
625-4179 IMPELLER KIT

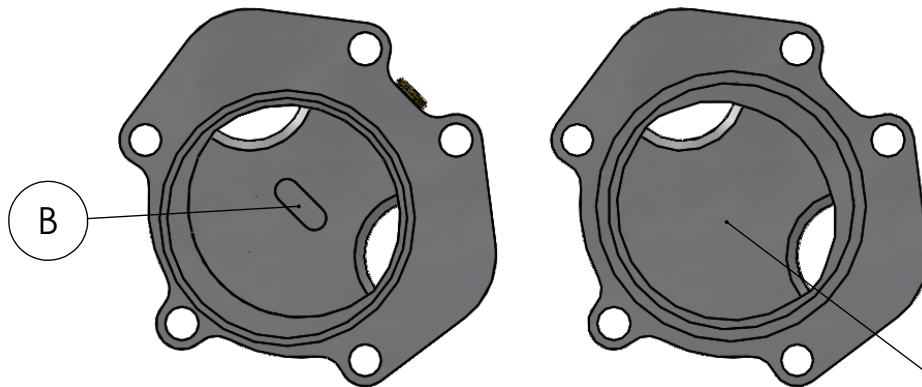
GEN 2:
625-4174 MASTER REBUILD KIT
625-4189 IMPELLER KIT

TITLE:
HARDIN GEN 4 SEA PUMP VERSIONS

www.hardin-marine.com



PIPE PLUG NOT USED IN GEN 2



GEN 1

GEN 2

FOR ALL HARDIN MERCURY GENERATION 4 REPLACEMENT SEA PUMPS YOU CAN IDENTIFY WHETHER YOU HAVE THE FIRST OR SECOND VERSION OF THESE PUMPS BY SIMPLY IDENTIFYING WHETHER YOUR PUMP HAS A 1/8" NPT BRASS DRAIN PLUG LOCATED ON THE UNDERSIDE OF THE PUMP HOUSING BETWEEN THE INLET/OUTLETS OF THE HOUSING, SEE FIG A. IF THE HOUSING IS OFF THE PUMP GEN 1 HAD A SLOT IN THE BODY, SEE FIG B.

NO TAB USED IN GEN 2