

HARDIN
MARINE

11 Industry Dr. Palm Coast, FL 32137
386-445-2500 / FAX 386-445-1122

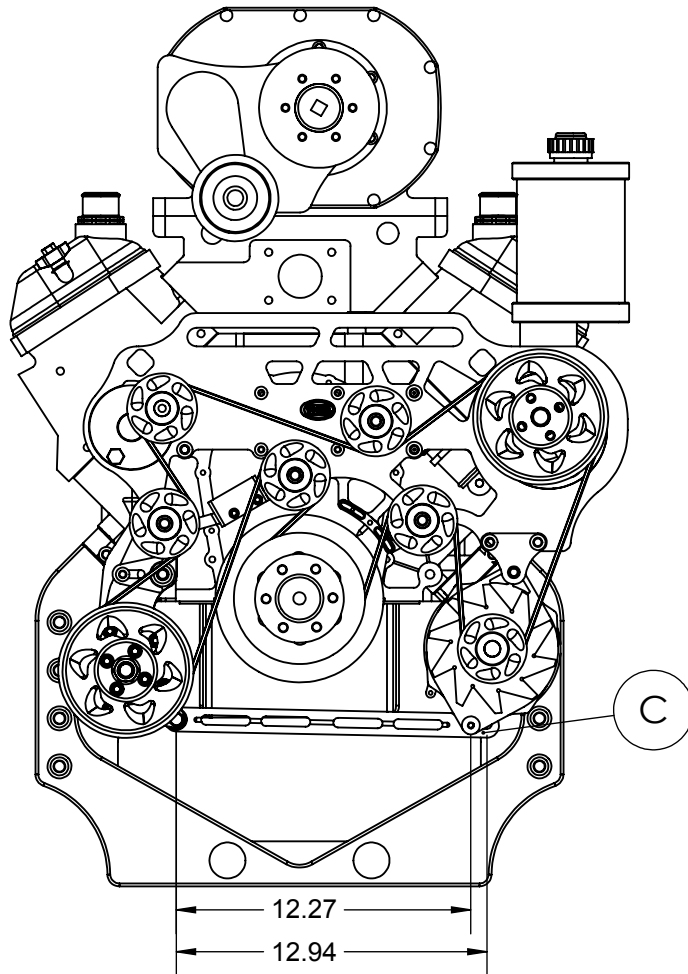
PART NO.

625-3132

TITLE:

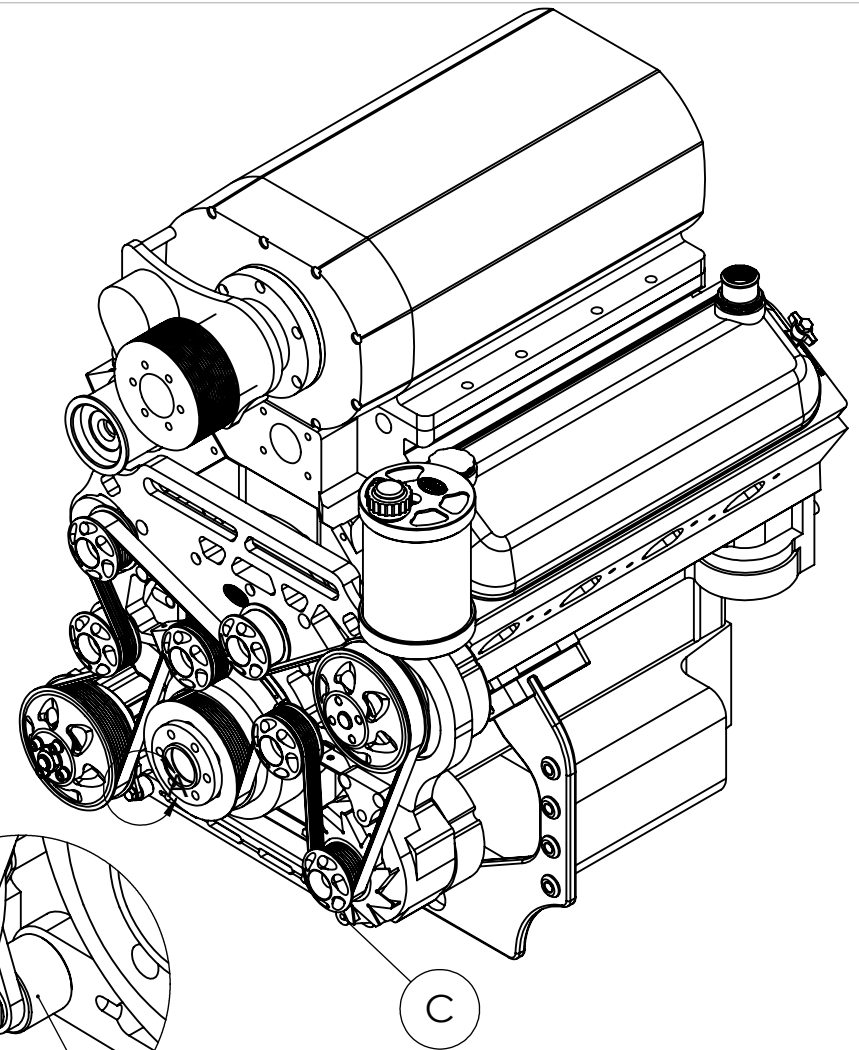
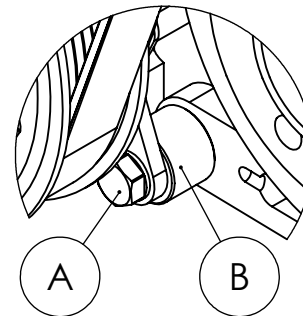
CROSS SUPPORT

www.hardin-marine.com



CROSS SUPPORT ADJUSTS ALTERNATOR FROM 12.27 TO 12.94.

DETAIL A
SCALE 1 : 2



- 1) CROSS SUPPORT MOUNTS BETWEEN SEA PUMP AND ALTERNATOR. WORKS WITH ALL HARDIN SEA PUMP MOUNTS.
- 2) FIGURE "A" SHOWS BRACKET IS MOUNTED TO SEA PUMP WITH THE SUPPLIED 5/16 x 1-1/4 AND WASHER.
- 3) INSTALL THE SUPPLIED SPACER BETWEEN SEA PUMP BRACKET AND SUPPORT BRACKETS AS SHOWN IN FIGURE "B".
- 4) THE BRACKET SITS ON THE BACK SIDE OF THE ALTERNATOR AS SHOWN IN FIGURE "C". BRACKET COMES WITH 5/16 x 1" BOLT AND WASHER TO MOUNT TO THE ALTERNATOR.