



HMMA2 HATCH ACTUATORS

620-9220XX

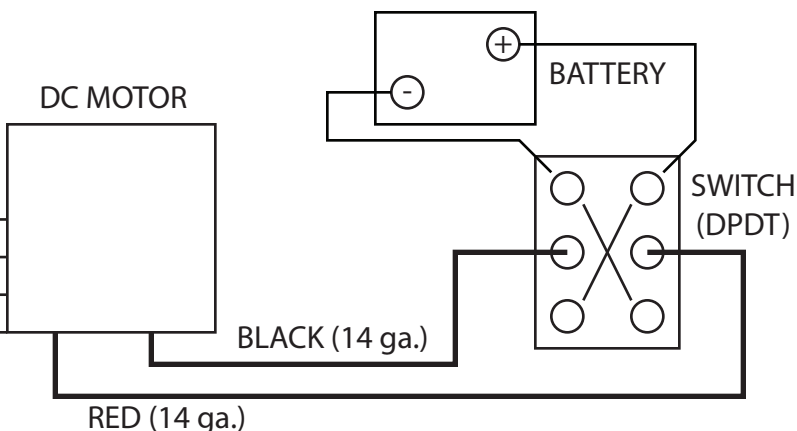
The Hardin marine hatch lifts are designed to be used with a 12 volt system only. The wiring between the hatch lift and the switch should be a minimum 14ga in size. The switch used is a DPDT mom on/ off / mom on 20 amp @ 28vac minimum style of switch. The part number for the Hardin marine hatch lift switch is 620-920012 but other brands of switches can be used. If you are using the Hardin marine hatch relay box you would use a SPDT style of switch part number 725-9302 in this application.

The hatch lift motor has (2) 14 ga. leads a red and a black when the red is connected to 12 volts and the black to ground the lift will extend to open the hatch. When switched the other direction red to ground and black to 12 volts the lift contract to close the hatch. Actuator is equipped with Hall Sensors (20 ga. wires) which can be used if desired (not required).

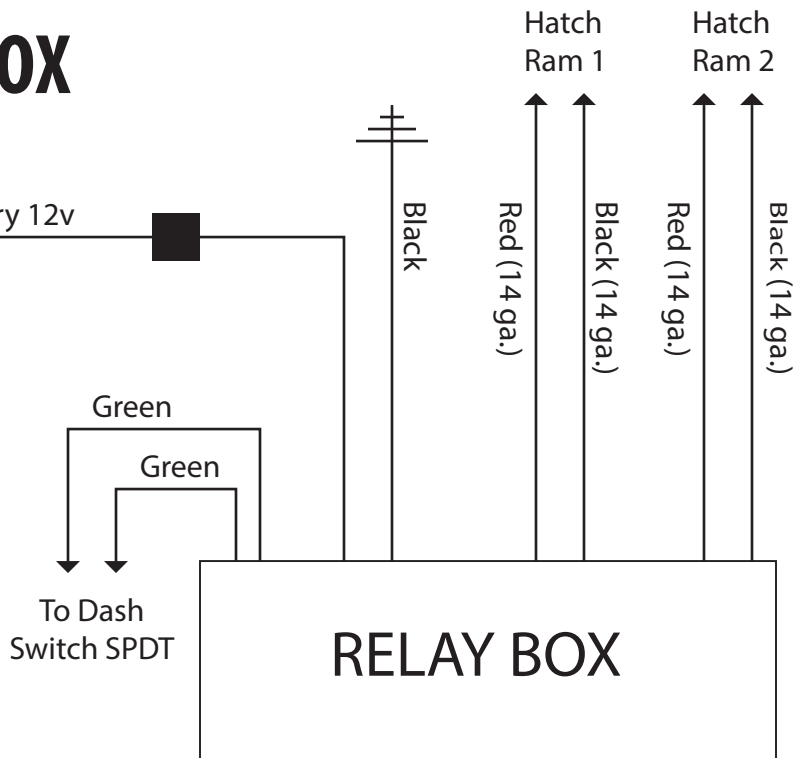
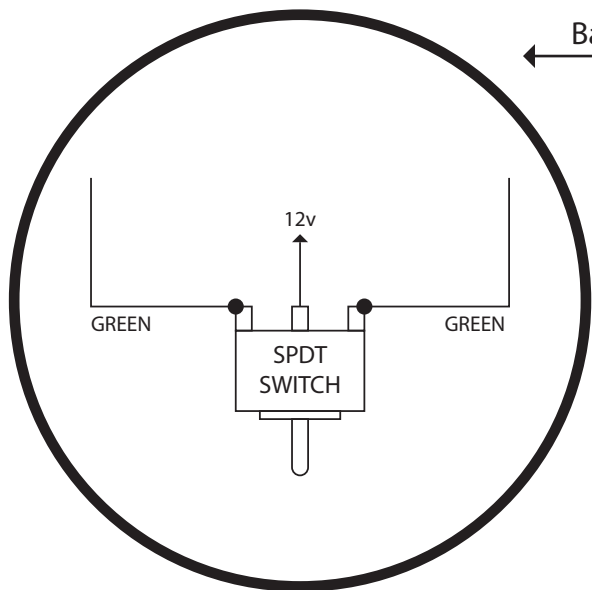
HATCH ACTUATOR WIRING DIAGRAM

- RED (20 ga.) +5V DC Input Hall Sensor
- WHITE (20 ga.) Output Hall Sensor S1
- BLUE (20 ga.) Output Hall Sensor S2
- BLACK (20 ga.) Hall Sensor Signal Ground

Hall sensor output signal type is square wave with Hi voltage 5v and low voltage 0v and with an output current of 0.1A. S1 leads 90 degrees phase to S2



TO OPTIONAL RELAY BOX WIRING DIAGRAM



RELATED ITEMS

- Hatch Actuator Mounting Bracket - 620-920010
- Hatch Actuator Quick Release Pin - 620-920011
- Hatch Actuator Stop Collar - 620-920013
- Hatch Actuator 3 Position Switch - 620-920012