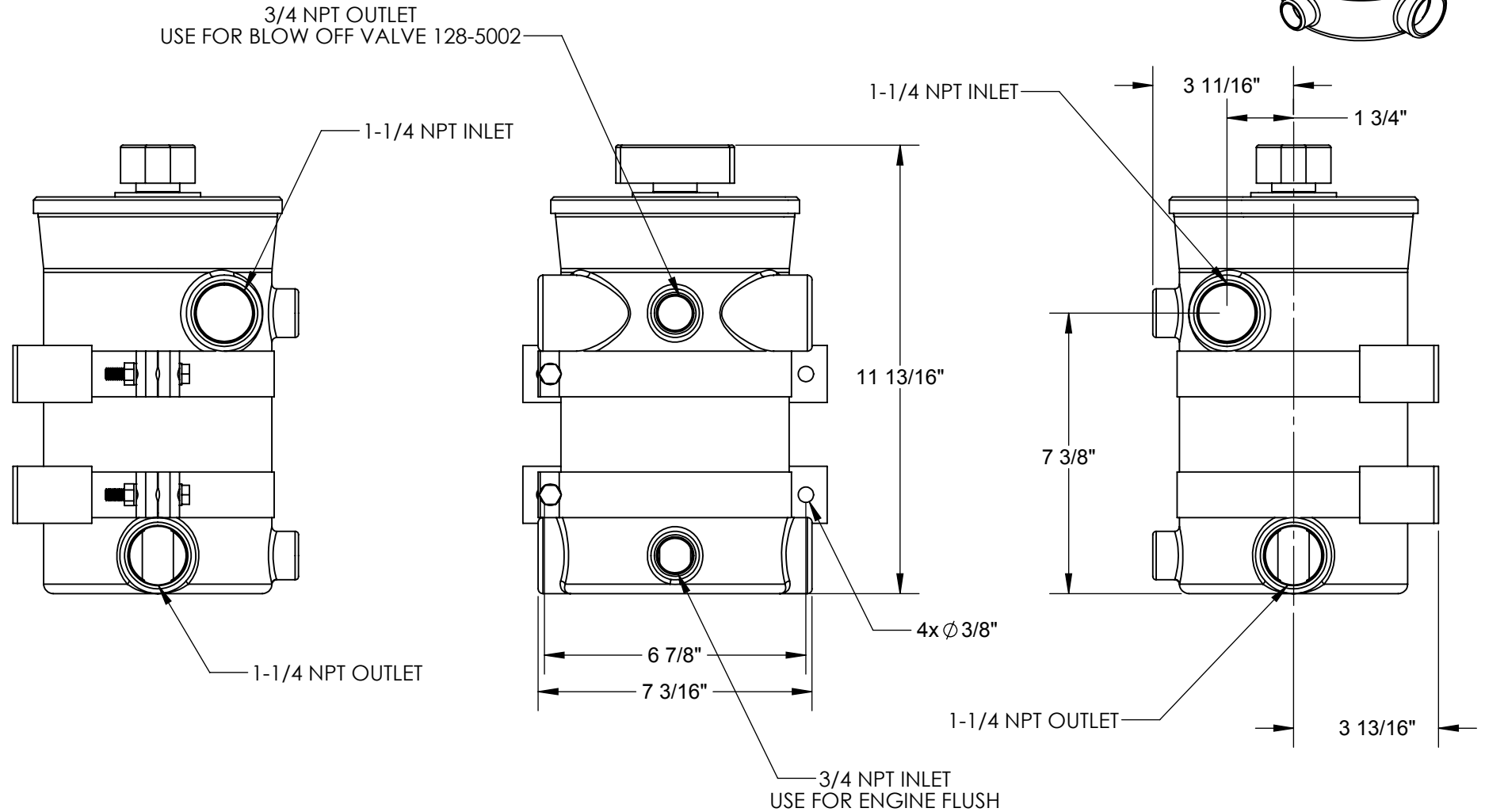
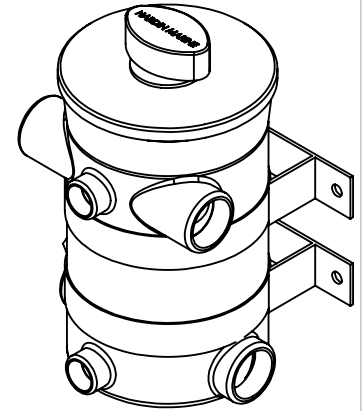


HARDIN MARINE 11 Industry Dr. Palm Coast, FL 32137
386-445-2500 / FAX 386-445-1122

PART NO.
620-913205

TITLE: SEA STRAINER, 1-1/4 NPT INLET/OUTLET. SINGLE & DUAL BASKET CONFIGURATIONS

620-913204: COMES WITH DUAL BASKET, DECORATIVE LID & 128-5002 BLOW OFF.
620-913205: COMES WITH SINGLE BASKET.
620-913205: COMES WITH SINGLE BASKET & DECORATIVE LID.



THIS DRAWING IS CONFIDENTIAL AND IS SUPPLIED ON EXPRESS CONDITION THAT IT SHALL NOT BE LENT, COPIED OR DISCLOSED TO ANY OTHER PERSON OR USED FOR ANY OTHER PURPOSE WITHOUT WRITTEN CONSENT OF HARDIN MARINE INC.. BREACH OF THIS CONTRACT WILL HOLD AND IT'S PRINCIPALS LIABLE FOR LOSS AND DAMAGES.