

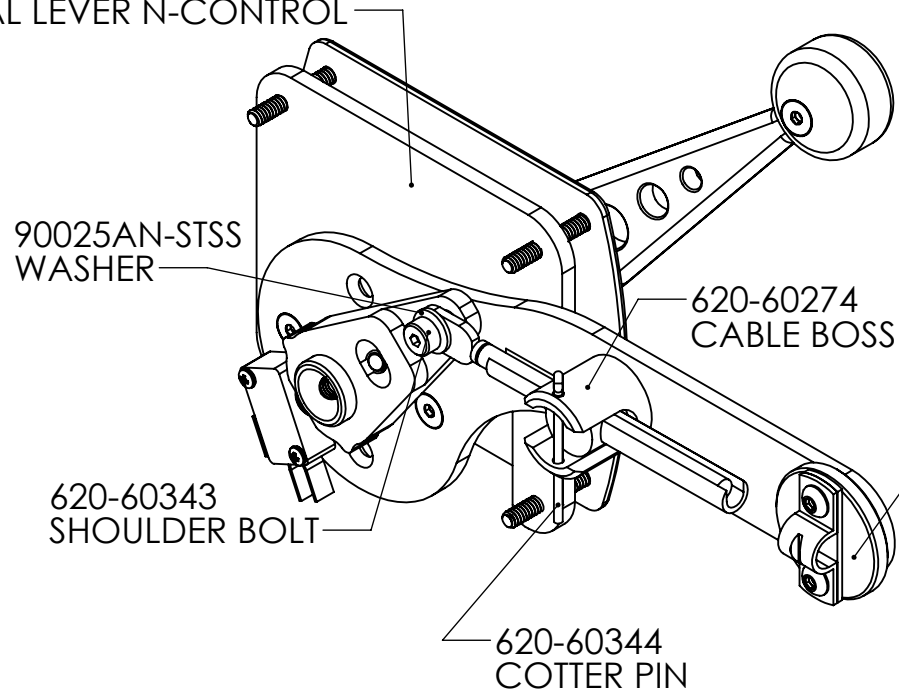
HARDIN MARINE 11 Industry Dr. Palm Coast, FL 32137  
386-445-2500 / FAX 386-445-1122

PART NO.  
620-60210

TITLE: MERCURY CABLE ATTACHMENTS FOR  
N-CONTROLS

www.hardin-marine.com

620-60220  
SINGLE LEVER N-CONTROL  
(SHOWN)  
OR  
620-60221  
DUAL LEVER N-CONTROL



INSTALLATION INSTRUCTIONS:

- 1) SLIDE 90025AN-STSS 1/4 WASHER ONTO 620-60343 SHOULDER BOLT. THESE PARTS ARE SUPPLIED IN A ZIP LOCK BAG WITH YOUR SHIFTER. SLIDE SHOULDER BOLT & WASHER OVER THE MERCURY CABLE. APPLY LOCTITE TO THE SHOULDER BOLT AND INSTALL INTO THE BRACKET. TORQUE TO 40" LBS.
- 2) FOR MERCURY GEN 1 CABLES:
  - A) ATTACH 620-60274 CABLE BOSS TO BRACKET, LIKE SHOWN, WITH THE SUPPLIED 90025C037SFS BOLT (NOT SHOWN). USE LOCTITE ON THE BOLT. TORQUE TO 60" LBS.
  - B) SLIDE MERCURY CABLE INTO THE CABLE BOSS. INSERT 620-60344 COTTER PIN.
- 3) REMOVE THE SUPPLIED MERCURY GEN 2 CABLE ATTACHMENT, AS SHOWN IN FIG. A.

FIG A.