

HARDIN
MARINE

11 Industry Dr. Palm Coast, FL 32137
386-445-2500 / FAX 386-445-1122

PART NO.

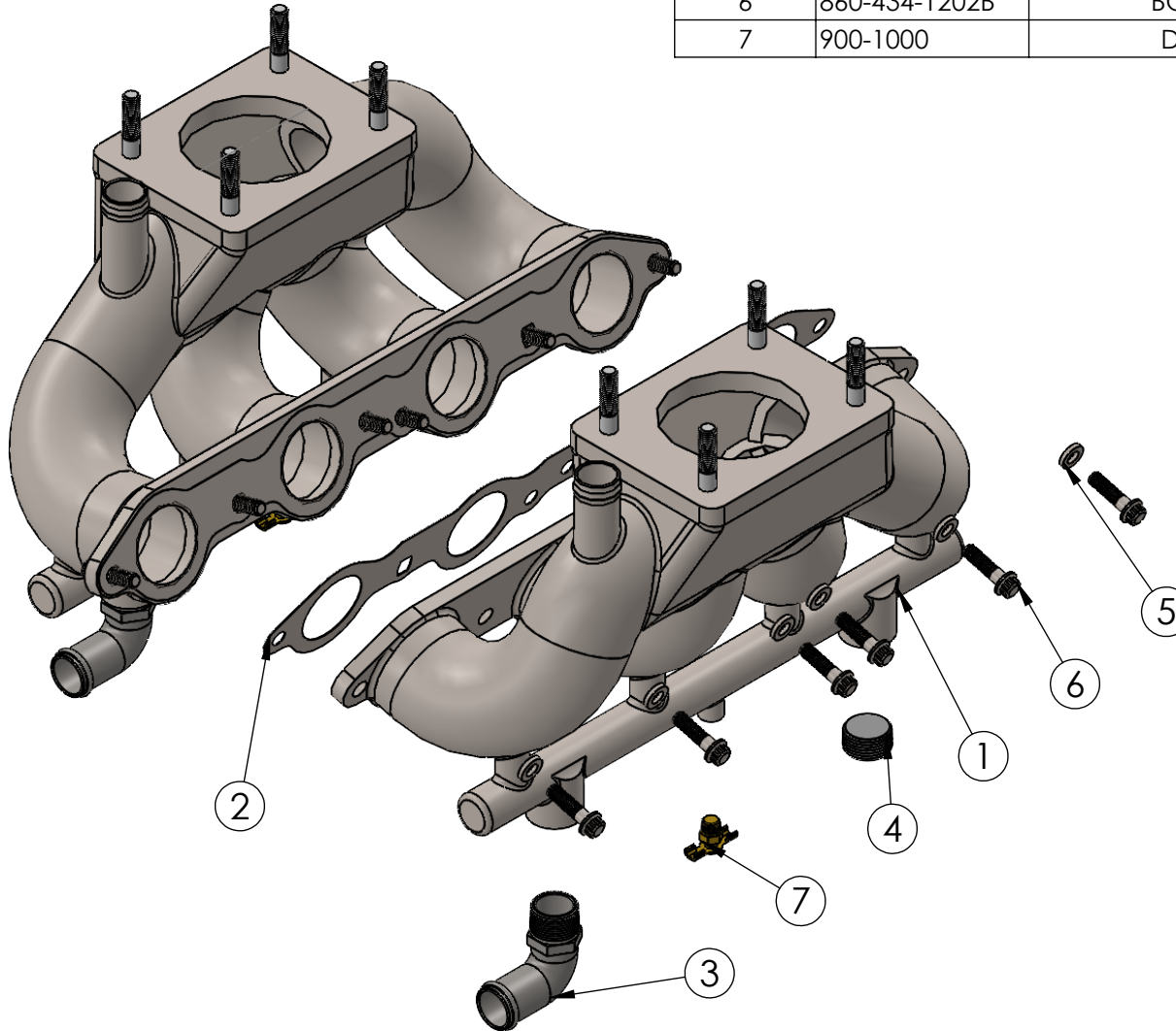
620-32571

TITLE:

LS CYCLONE HEADER INSTALL KIT

www.hardin-marine.com

ITEM NO.	PART NUMBER	DESCRIPTION	QTY.
1	620-32550	LS CYCLONE HEADER	1
2	302-C5818-030	GASKET, LS EXHAUST	2
3	540-222120	FITTING, 3/4NPT x 1' BARB 90 DEG	2
4	540-222999	3/4NPT PIPE PLUG	2
5	860-424-1202W	WASHER, LS EXH BOLT	12
6	860-434-1202B	BOLT, LS HEADER	12
7	900-1000	DRAIN, 1/8 NPT	2



THIS DRAWING IS CONFIDENTIAL AND IS SUPPLIED ON EXPRESS CONDITION THAT IT SHALL NOT BE LENT, COPIED OR DISCLOSED TO ANY OTHER PERSON OR USED FOR ANY OTHER PURPOSE WITHOUT WRITTEN CONSENT OF HARDIN MARINE INC.. BREACH OF THIS CONTRACT WILL HOLD AND IT'S PRINCIPALS LIABLE FOR LOSS AND DAMAGES.

HARDIN
MARINE

11 Industry Dr. Palm Coast, FL 32137
386-445-2500 / FAX 386-445-1122

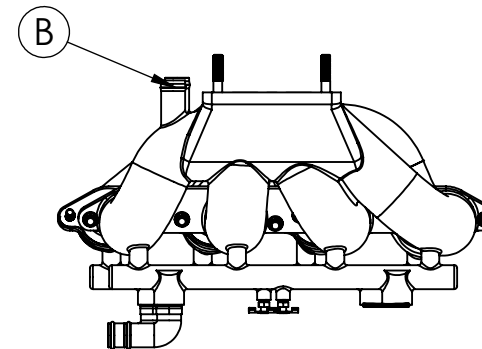
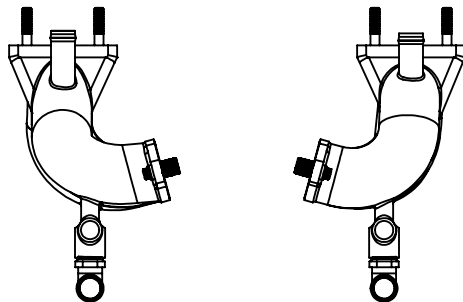
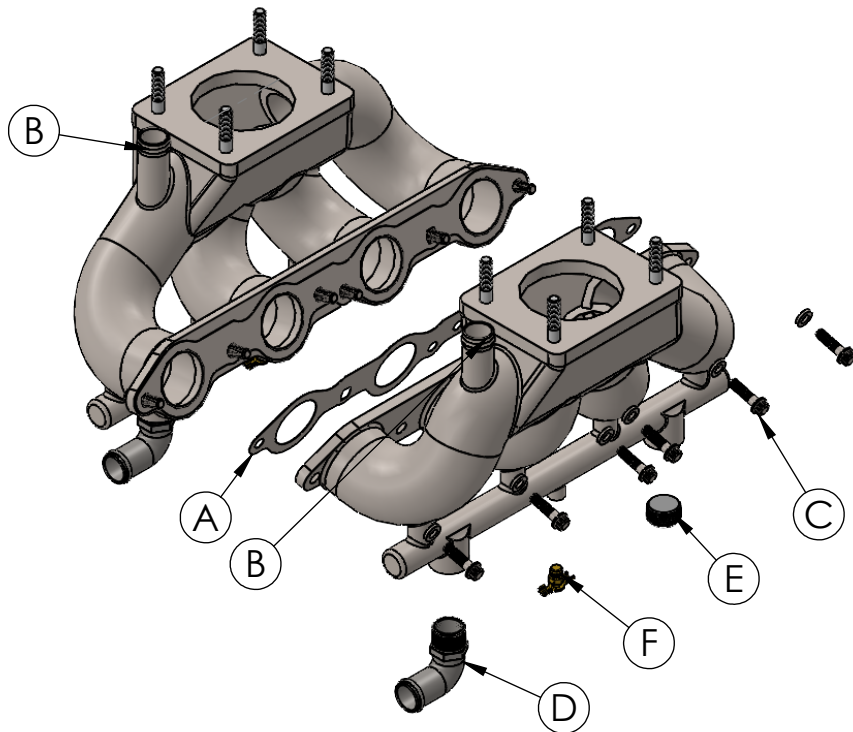
PART NO.

620-32571

TITLE:

LS CYCLONE HEADER INSTALLATION

www.hardin-marine.com



INSTALLATION INSTRUCTIONS:

- 1) MAKE SURE CYLINDER HEAD EXHAUST MOUNTING SURFACE IS FREE OF KNICKS AND ANY OLD GASKET MATERIAL.
- 2) SEALANT IS NOT REQUIRED ON THE NEW SUPPLIED GASKETS, FIG. A
- 3) INSTALL MANIFOLDS WITH THE WATER OUTLET BUNGS FOWARD, FIG. B.
- 4) INSTALL MANIFOLDS WITH THE SUPPLIED ARP 8MM BOLTS AND WASHERS. APPLY ANTI-SIEZE TO THE BOLTS, FIG. C. USING 10MM 12 POINT SOCKET, TORQUE BOLTS TO 24 FT. LBS..
- 5) APPLY LIQUID PIPE SEALANT TO THE PIPE PLUGS, FITTINGS AND WATER DRAINS.
- 6) USING 1-1/6 WRENCH, INSTALL FITTING INTO THE FRONT OF THE DISTRIBUTION TUBE ON BOTH SIDE, FIG. D. ATTACH 1" WATER HOSE COMING FROM THE ENGINE OR HEAT EXCHANGER.
- 7) USING 9/16 ALLEN KEY, INSTALL 3/4 PIPE PLUG INTO THE END BUNG ON THE DISTRIBUTION TUBE ON BOTH SIDE. FIG. E.
- 8) USING 7/16 WRENCH, INSTALL DRAIN PLUG INTO THE CENTER BUNG ON THE DISTRIBUTION TUBE ON BOTH SIDES, FIG F.

CAUTION HARDIN MARINE HEADER SYSTEMS ARE DESIGNED FOR USE ON ENGINES WITH FULL TIME CONSTANT WATER CIRCULATION AT ALL TIMES. NOTE** AFTER APPROXIMATELY 2-5 HOURS USE OR NUMEROUS ENGINE HEAT CYCLES ALL HARDWARE MUST BE RETORQUED AND OR TIGHTENED.**

HARDIN
MARINE

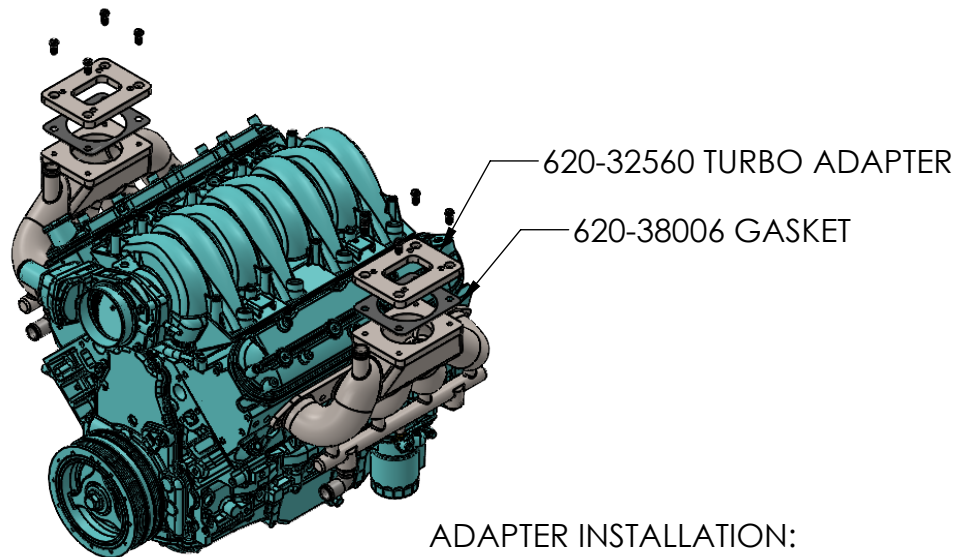
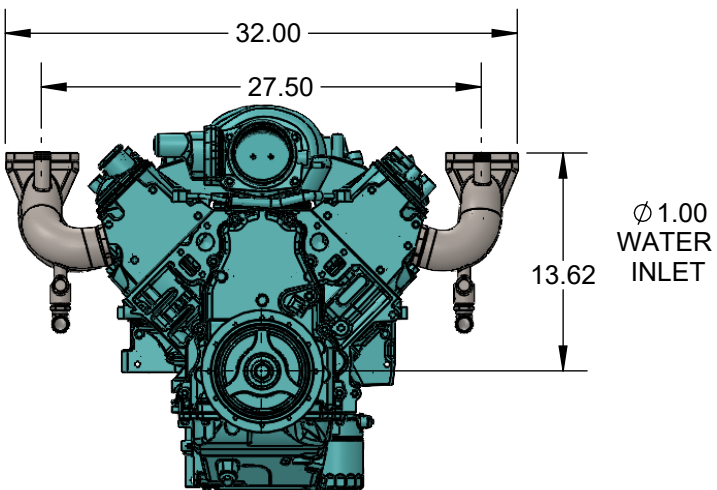
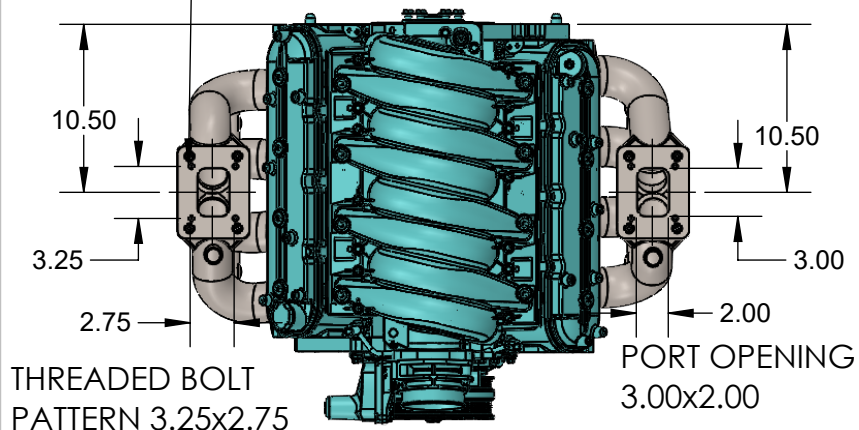
11 Industry Dr. Palm Coast, FL 32137
386-445-2500 / FAX 386-445-1122

PART NO.
620-32560

TITLE: LS CYCLONE HEADER w/ TURBO
ADAPTER FLANGE

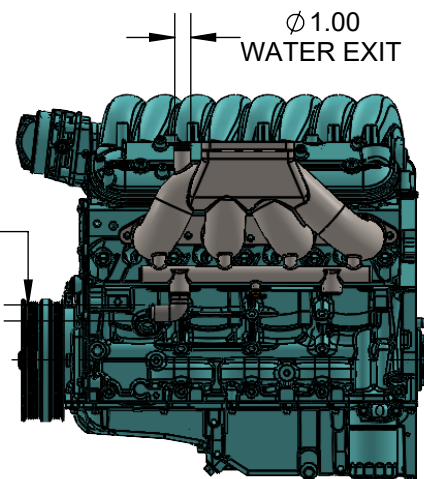
www.hardin-marine.com

EACH TURBO FLANGE HAS
(4) 3/8-16 THREADED HOLES



ADAPTER INSTALLATION:

- 1) REMOVE THE EXISTING STUDS IN THE HEADERS.
- 2) INSTALL GASKET BETWEEN FLANGES. DO NOT USE SEALANT.
- 3) APPLY ANTI-SIEZE TO THE PROVIDED BOLTS. USING 1/4 ALLEN SOCKET TORQUE TO 30 FT. LBS..
- 4) DOES NOT FIT GM LT ENGINE.



CAUTION HARDIN MARINE HEADER SYSTEMS ARE DESIGNED FOR USE ON ENGINES WITH FULL TIME CONSTANT WATER CIRCULATION AT ALL TIMES. NOTE** AFTER APPROXIMATELY 2-5 HOURS USE OR NUMEROUS ENGINE HEAT CYCLES ALL HARDWARE MUST BE RETORQUED AND OR TIGHTENED.**