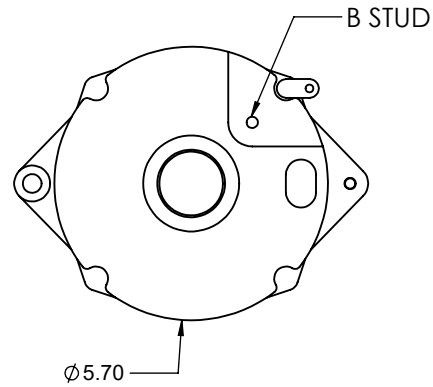


HARDIN 11 Industry Dr. Palm Coast, FL 32137
MARINE 386-445-2500 / FAX 386-445-1122

PART NO.
620-3147M-NC

TITLE:
94 AMP ALTERNATOR

www.hardin-marine.com



NOTE:
THIS IS A SINGLE WIRE SELF
EXCITING INTERNALLY
REGULATED ALTERNATOR.
CONNECT THE BATTERY CABLE
TO THE B+ STUD ON THE
BACKSIDE OF THE ALTERNATOR.
THE GROUND TAB IS NOT
NECESSARY AS IT IS NEGATIVE
GROUND AND GROUNDS
THROUGH THE ENGINE. THE
MERCURY PURPLE EXCITER WIRE
IS NOT USED.

