

HARDIN  
MARINE

11 Industry Dr. Palm Coast, FL 32137  
386-445-2500 / FAX 386-445-1122

PART NO.

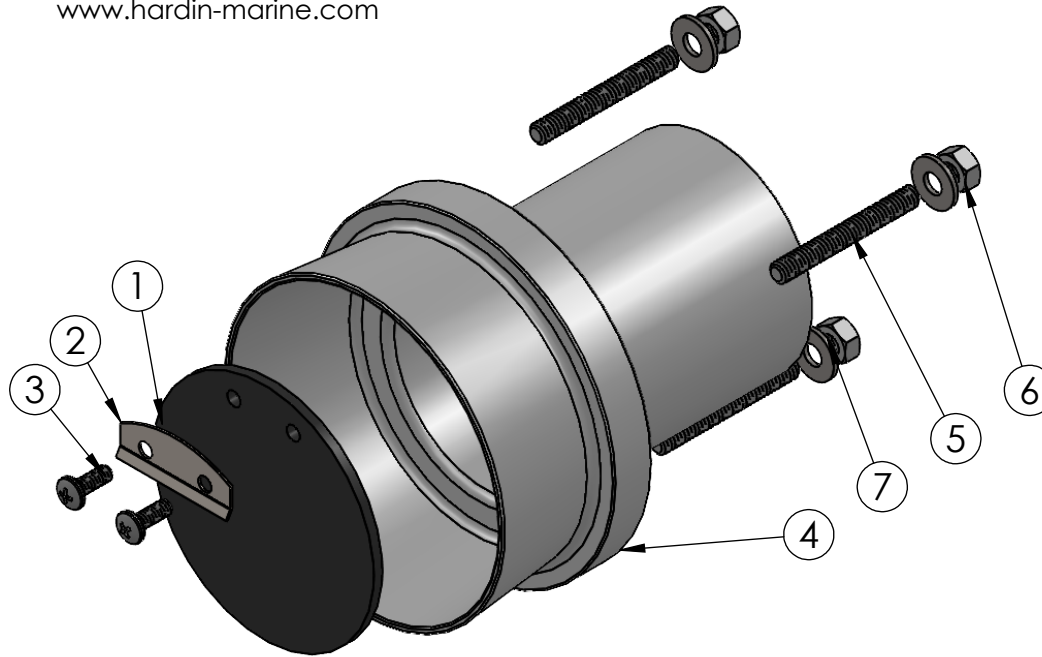
610-1031

TITLE:

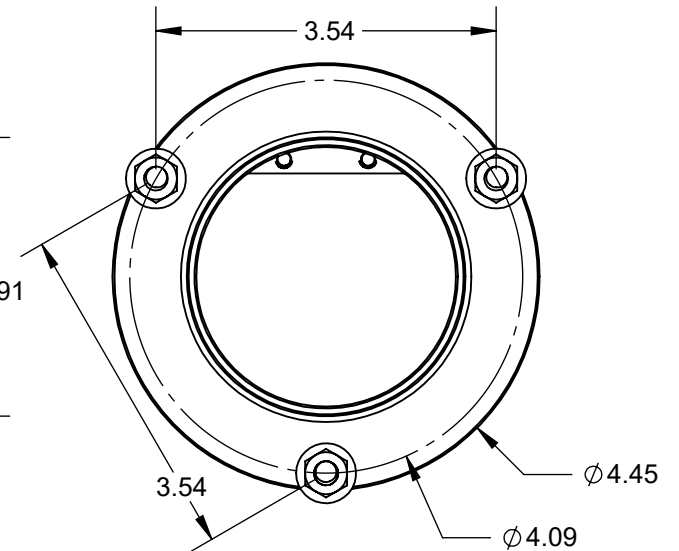
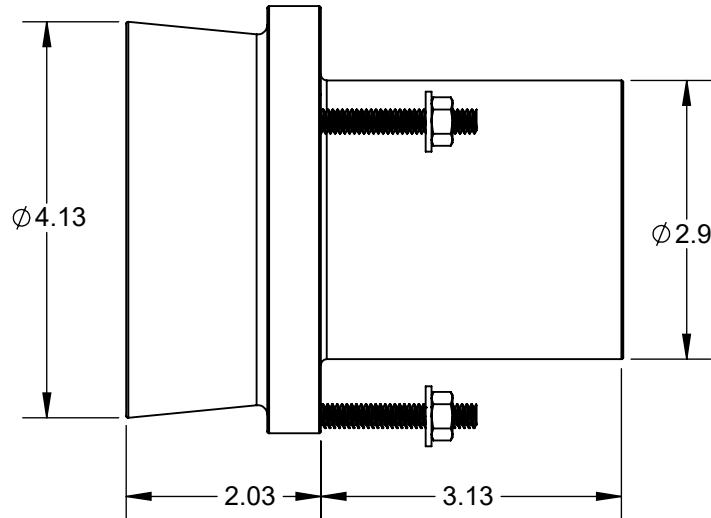
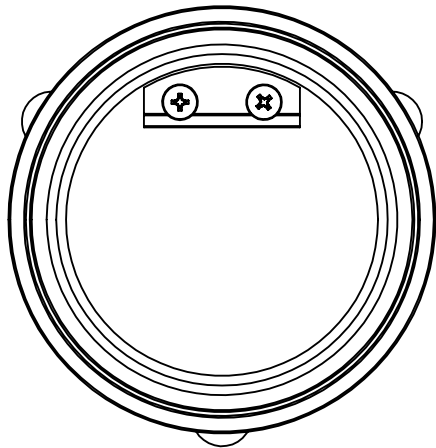
2-7/8 SS TRUMPET EXHAUST TIP

www.hardin-marine.com

ITEM NO.	PART NUMBER	DESCRIPTION	QTY.
1	610-1031RK	FLAP, 3-1/4	1
2	610-1050	FLANGE, FLAP	1
3	90010C050PBS	BOLT, 10-24-1/2	2
4	620-1031K	TIP, TRUMPET	1
5	610-1031S	STUD, 1/4-20	3
6	90025CP-FNSS	NUT, 1/4-20 FULL	3
7	90025SA-STSS	WASHER - FLAT - 1/4 SAE	3



620-1031R REPLACEMENT FLAP CONTAINS #1,2&3.



THIS DRAWING IS CONFIDENTIAL AND IS SUPPLIED ON EXPRESS CONDITION THAT IT SHALL NOT BE LENT, COPIED OR DISCLOSED TO ANY OTHER PERSON OR USED FOR ANY OTHER PURPOSE WITHOUT WRITTEN CONSENT OF HARDIN MARINE INC.. BREACH OF THIS CONTRACT WILL HOLD ..... AND IT'S PRINCIPALS LIABLE FOR LOSS AND DAMAGES.